



CANADIAN MSRP PRICE BOOK

March 1, 2025

Redman Distributing Inc.

105 Guthrie Street
Ayr, Ontario, N0B 1E0

TELEPHONE: 519.624.5710
TOLL-FREE: 888.340.4949
sales@redmandistributing.com





TERMS AND CONDITIONS OF SALE

1. Terms:
 - a. Net 30 days with approved credit.
2. Prices:
 - a. All prices are subject to change at any time without notice.
3. Cancellation:
 - a. Hoods which are fabricated to purchase orders are non-cancelable upon acceptance by the factory.
 - b. Any change orders must be confirmed in writing to Vent-A-Hood® at the address below and are subject to our ability to conform.

Redman Distributing Inc
105 Guthrie Street
Ayr, Ontario, N0B 1E0

4. Returns:
 - a. No merchandise may be returned without written consent and shipping instructions.
 - b. Authorized returns are subject to a Minimum 25% restocking charge and freight charges.
 - c. Special order items are not subject to return or cancellation.
5. Vent-A-Hood® Warranty
 - a. Vent-A-Hood® merchandise is manufactured in accordance with Vent-A-Hood®'s high standards and carries a limited warranty.
 - b. Vent-A-Hood® Magic Lung® Warranty:

Vent-A-Hood® warrants to the original consumer-purchaser its Magic Lung® products to be free of defects in material and workmanship for a period of five years on parts and one year on labor from the date of purchase with the following limitations:

 - A. Freight damage
 - B. Blower wheel damage
 - C. Light bulbs
 - D. Damage or malfunction caused by faulty installation
 - E. Incidental or consequential damage
 - F. Commercial application
 - G. Misapplication or modification of or to any part of the Vent-A-Hood® product
 - c. Vent-A-Hood® V-Line, ARS, M Series, and Remote Blower Warranty:

Vent-A-Hood warrants to the original consumer-purchaser its products to be free of defects in material and workmanship for a period of one year from the date of purchase with the following limitations:

 - A. Freight damage
 - B. Blower wheel damage
 - C. Light bulbs
 - D. Damage or malfunction caused by faulty installation
 - E. Incidental or consequential damage
 - F. Commercial application
 - G. Misapplication or modification of or to any part of the Vent-A-Hood® product
 - d. To make a warranty claim, contact the dealer where the hood was purchased. They will contact the appropriate service agents. It is not necessary to register the product directly with Vent-A-Hood®.

Top Photo on Cover:
Design by Shay Geyer, Owner & Designer, IBB Design
Photography by Dan Piassick

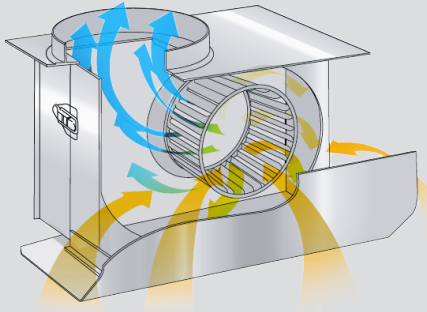


TABLE OF CONTENTS - BY APPLICATION/HOOD TYPE

MAGIC LUNG®	11	OTHER ISLAND STYLES	44
UNDER CABINET	12	LINER INSERTS	45
PRH9	12	WALL MOUNT LINER INSERTS	45
NPH9	12	BHSLD	45
SLH9	12	BHPSLD	45
XRH9	12	BHPSLB	45
CLH9	13	TLH	46
JCWR9	13	ISLAND LINER INSERTS	47
WALL MOUNT	14	THSLE	47
PROFESSIONAL/STANDARD WALL MOUNT	14	THPSLE	47
PRH18	14	CUSTOM LINER INSERTS	48
NPH18	14	BH-LD	48
SLH18	14	BH-LB	48
XRH18	15	TH-LC	49
DAH18	15	TH-LE	49
PWVH18	15	OTHER ITEMS	50
CXH30	17	BLOWER OPTIONS	50
DAH30	17	REMOTE BLOWERS	51
PWVH30	17	SPLASH PANELS	52
SLH30	18	WARMING LAMPS & SHELVES	53
AH12	19	ACCESSORY RAIL	54
CWH	20	BBQ EXTENSION	55
DESIGNER SERIES WALL MOUNT	21	BANDS, FINISHES, & POT RAILS	56
JCH/A1	21	BAND & LIP TREATMENT ATTACHMENTS	57
JCH/B1	22	DESIGNER SERIES HOOD TRIMS	58
JCH/C1	23	POWER LUNG	60
JCH/C2	24	UNDER CABINET	61
JDH/C1	24	PRH6-K	61
JDH/C2	24	SLH6-K	61
JDH/C3	25	WALL MOUNT LINER INSERT	61
JPH/C1	25	KHSLD	61
JPH/C2	25	CONTEMPORARY WALL MOUNT	62
JCWR18	16	CWEH6-K	62
WALL MOUNT CROWNS	27	GTH-K	62
CRN-D6H	27	CONTEMPORARY ISLAND	62
CRN-P6H	27	CIEH6-K	62
CRN-S6H	28	EURO-STYLE WALL MOUNT	63
CRN-S4H	28	PDH7-K	63
CRN-S3H	28	PDH14-K	63
CONTEMPORARY WALL MOUNT	29	ARS DUCT FREE	64
CWEH9	29	UNDER CABINET	65
CWLH9	29	PRAH6-K	65
CWSH3	30	SLAH6-K	65
XLH12	31	WALL MOUNT LINER INSERT	65
ZTH	32	KAHSLD	65
EURO-STYLE WALL MOUNT	33	CONTEMPORARY WALL MOUNT	66
PDH14	33	CWEAH6-K	66
PDL14	33	CONTEMPORARY ISLAND	66
SLDH14	33	CIEAH6-K	66
EPH18	34	EURO-STYLE WALL MOUNT	67
EPTH18	34	PDAH7-K	67
NEPH18	34	PDAH14-K	67
NEPTH18	34	EURO-STYLE ISLAND	68
SEPH18	35	PYDAH18-K	68
SEPTH18	35	ISDAH18-K	68
ISLAND	36	M SERIES	69
DESIGNER SERIES ISLAND	36	PROFESSIONAL WALL MOUNT	70
JCIH/A1	36	PRH18-M	70
JCIH/B1	36	PRH18-M 30D	70
JCIH/C1	37	CXH18-M	70
JDIH/C1	38	M SERIES EURO-STYLE WALL MOUNT	71
JDIH/C2	38	EPH18-M	71
JDIH/C3	39	EPH18-M 32D	71
CONTEMPORARY ISLAND	40	WALL MOUNT LINER INSERTS	72
CIEH9	40	MSLD	72
CILH9	40	MPSLD	72
IZTH	41	PARTS & ACCESSORIES	74
EURO-STYLE ISLAND	42	VENTING ACCESSORIES	74
PYDH18	42	REPLACEMENT PARTS	75
ISDH18	42		
EPIH18	42		
SEPIH18	42		
EPITH18	43		
SEPITH18	43		

TABLE OF CONTENTS - BY MODEL NUMBER

AH12	19	PWVH30	17
BH-LB	48	PYDAH18-K	68
BH-LD	48	PYDH18	42
BHPSLB	45	SEPH18	35
BHPSLD	45	SEPIH18	42
BHSLD	45	SEPITH18	43
CIEAH6-K	66	SEPTH18	35
CIEH6-K	62	SLAH6-K	65
CIEH9	40	SLDH14	33
CILH9	40	SLH6-K	61
CLH9	13	SLH9	12
CWEAH6-K	66	SLH18	14
CWEH6-K	62	SLH30	18
CWEH9	29	TH-LC	49
CWH	20	TH-LE	49
CWLH9	29	THPSLE	47
CWSH3	30	THSLE	47
CXH18-M	70	TLH	46
CXH30	17	XLH12	31
DAH18	15	XRH9	12
DAH30	17	XRH18	15
EPH18	34	ZTH	32
EPH18-M	71		
EPH18-M 32D	71		
EPIH18	42		
EPITH18	43		
EPTH18	34		
GTH-K	62		
ISDAH18-K	68		
ISDH18	42		
IZTH	41		
JCH/A1	21		
JCH/B1	22		
JCH/C1	23		
JCH/C2	24		
JCIH/A1	36		
JCIH/B1	36		
JCIH/C1	37		
JCWR9	13		
JCWR18	16		
JDH/C1	24		
JDH/C2	24		
JDH/C3	25		
JDIH/C1	38		
JDIH/C2	38		
JDIH/C3	39		
JPH/C1	25		
JPH/C2	25		
KAHSLD	65		
KHSLD	61		
MPSLD	72		
MSLD	72		
NEPH18	34		
NEPTH18	34		
NPH9	12		
NPH18	14		
PDAH7-K	67		
PDAH14-K	67		
PDH7-K	63		
PDH14	33		
PDH14-K	63		
PDL14	33		
PRAH6-K	65		
PRH6-K	61		
PRH9	12		
PRH18	14		
PRH18-M	70		
PRH18-M 30D	70		
PWVH18	15		

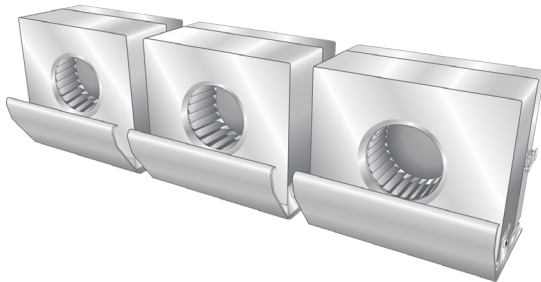
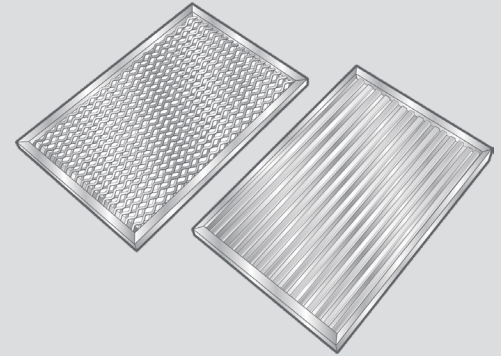


OUR PREMIUM MAGIC LUNG® BLOWER
CONSTANT 99% CENTRIFUGAL
GREASE EXTRACTION

GREASE EXTRACTION

The patented **Magic Lung®** centrifugal grease extractor collects 99% of the grease 100% of the time (University of Minnesota)

SCREEN/BAFFLE FILTER
5% TO 60% VARIABLE
GREASE EXTRACTION



THE QUIETEST VENTILATION AVAILABLE

300 CFM=5.4 SONES
600 CFM=6.5 SONES
900 CFM=6.3 SONES
1200 CFM=6.6 SONES

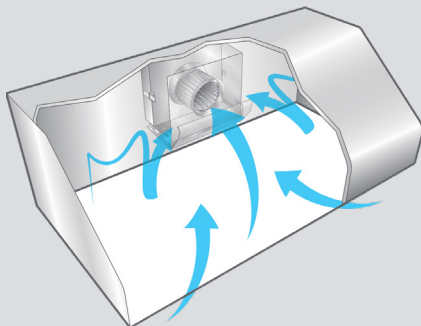
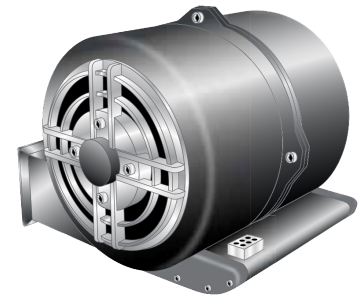
QUIET AND POWERFUL

Each **Magic Lung®** blower supplies 300 CFM of air flow—combining multiple blowers will meet any air flow requirement without increasing the noise level.

Variable speed blowers become louder and louder as CFM increases.

NOISY VARIABLE SPEED BLOWER

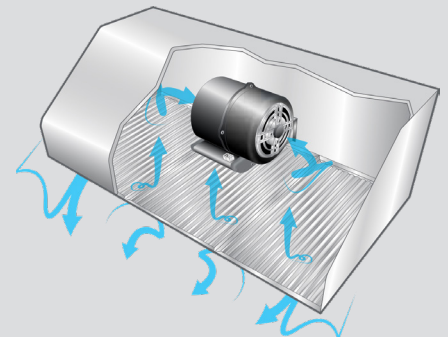
300 CFM=6.0 SONES
600 CFM=9.0 SONES
900 CFM=12.0 SONES
1200 CFM=15.0 SONES



LARGE ACTIVE CANOPY
REMOVES CONTAMINANTS

EFFICIENT

Filters obstruct air flow and spoil the collector properties of the canopy. A range hood equipped with the **Magic Lung®** blower system is a wide open, active collector that invites contaminants in. A proper collector is the most critical element for good cooking ventilation and requires 1/3 less air flow than a filter-style range hood.

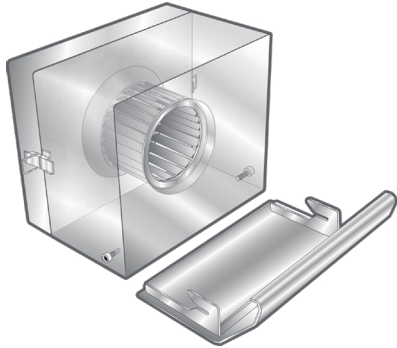


CLOSED CANOPY
RESTRICTS AIR FLOW



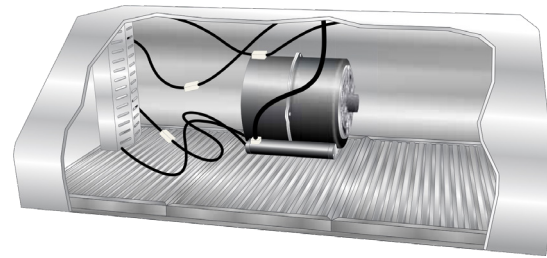
NEW, SIMPLE SLIDE-OFF GREASE TRAY

BLOWER HOUSING SNAPS APART FOR FAST CLEANING



EASY TO CLEAN

Cleaning the grease from behind the filter is nearly impossible. Access is limited by components and sharp protrusions. Even the motor gets greasy. The new in-the-shield grease tray makes routine cleaning easier than ever. If desired, the **Magic Lung**[®] blower comes apart for easy cleaning in soapy water or a dishwasher.



DIFFICULT TO CLEAN
GREASE ESCAPING THE FILTERS
COATS THE MOTORS AND WIRING

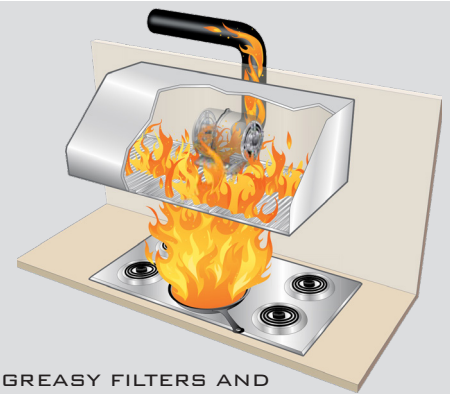


NO GREASY FILTER TO SUSTAIN A SECONDARY FIRE

FLAME HAS NO ACCESS TO SECONDARY SOURCES OF COMBUSTION

FIRE SAFETY

The **Magic Lung**[®] constant-speed blower is designed to keep grease and flame from entering the duct. In over 75 years, Vent-A-Hood has never received a report of an attic or wall fire when the **Magic Lung**[®] has been in use.



GREASY FILTERS AND DUCTING ARE FLAMMABLE

FLAME HAS DIRECT ACCESS TO MULTIPLE SOURCES OF COMBUSTION



WARRANTY



We've got you covered with the best warranty in the industry. Vent-A-Hood[®] has long been the most respected name in ventilation. Our products are guaranteed to work and we stand on over 75 years of manufacturing the highest quality ventilation products. Our family is devoted to your satisfaction.

KEYS TO SUPERIOR VENTILATION

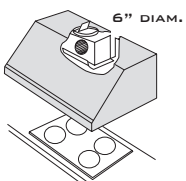
BLOWER(S) • CANOPY • DUCTING

- The first question you should ask a customer is how many BTUs or wattage are produced by the type of cooking equipment that is in their kitchen.
- The hood, blower system and ducting should be designed to handle the heat being produced from the cooking surface.
- Refer to chart below to determine how many CFM (Cubic Feet per Minute) are needed.

Match Number of Blowers to Cooking Equipment

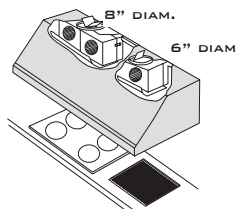
HOOD TYPE	COOKING EQUIPMENT TYPES:		MAGIC LUNG® BLOWER(S) (TRUE CFM)	COMPETITOR EQUIVALENT CFM*
	MULTI-BURNER COOKTOP RATING (BTU/WATTS)	BBQ, WOK OR GRIDDLE (BTU/WATTS)		
WALL-MOUNT OR UNDER CABINET	12,000 WATTS	12,000 WATTS	240 CFM K SERIES BLOWER 300 CFM B100 SINGLE BLOWER	360 CFM 450 CFM
UNDER-CABINET	40,000 - 60,000 BTU 24,000 WATTS	40,000 - 60,000 BTU 24,000 WATTS	600 CFM (B200 DUAL BLOWER)	900 CFM
WALL-MOUNT	40,000 - 60,000 BTU	40,000 - 60,000 BTU 24,000 WATTS	600 CFM (B200 DUAL BLOWER)	900 CFM
WALL-MOUNT	60,000 - 90,000 BTU	60,000 BTU 36,000 WATTS	900 CFM (ONE B100 SINGLE BLOWER PLUS ONE B200 DUAL BLOWER)	1350 CFM
WALL-MOUNT	80,000 - 120,000 BTU	80,000 BTU 48,000 WATTS	1200 CFM (TWO B200 DUAL BLOWERS)	1800 CFM
ISLAND	40,000 - 60,000 BTU	40,000 BTU 24,000 WATTS	550 CFM (T200 ISLAND DUAL BLOWER)	900 CFM
ISLAND	80,000 - 120,000 BTU	80,000 BTU 48,000 WATTS	1100 CFM (T400 ISLAND CLUSTER BLOWER)	1800 CFM

* Because the Magic Lung® uses centrifugal filtration units rather than conventional baffle or mesh filters, the Magic Lung® Blower can handle cooking equipment with higher cubic feet per minute (CFM) requirements and is much more efficient than other filtration systems. When comparing Magic Lung® blowers to that of other competitor units, Magic Lung CFM ratings reflect true CFM ratings. For example, a competitor's 1800 CFM blower unit has a performance equivalent CFM of 1200 CFM.

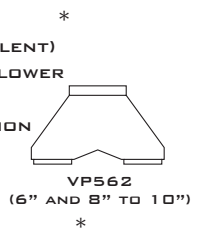


- 300 CFM (450 CFM EQUIVALENT)
- B100 SINGLE BLOWER
- 6" DIAMETER VENT

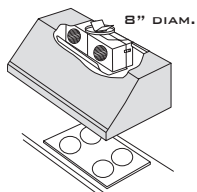
*



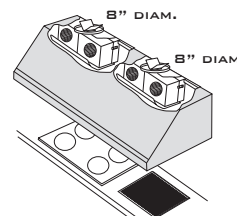
- 900 CFM (1,350 CFM EQUIVALENT)
- B200 DUAL & B100 SINGLE BLOWER
- 8" AND 6" DIAMETER VENTS
- VP562 MULTI BLOWER TRANSITION



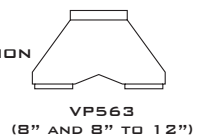
*



- 600 CFM (900 CFM EQUIVALENT)
- B200 DUAL BLOWER
- 8" DIAMETER VENT

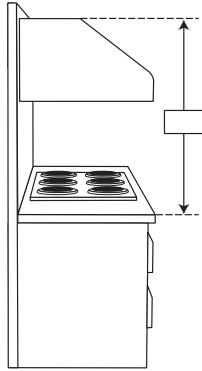


- 1200 CFM (1,800 CFM EQUIVALENT)
- TWO B200 DUAL BLOWERS
- TWO 8" DIAMETER VENTS
- VP563 MULTI BLOWER TRANSITION



KEYS TO SUPERIOR VENTILATION

CANOPY SIZE AND PLACEMENT



WHAT HEIGHT HOOD DO YOU NEED?

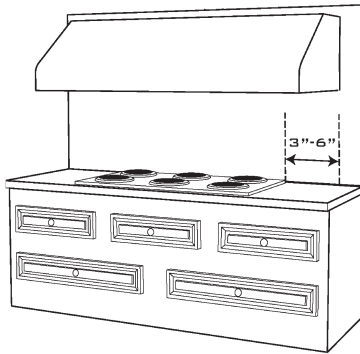
THE HOOD HEIGHT IS DEPENDENT UPON THE DISTANCE BETWEEN YOUR COOKING SURFACE AND YOUR CABINET, SOFFIT, OR CEILING.

- 6" UNDER CABINET - FOR 27" TO 30"
- 9" UNDER CABINET - FOR 30" TO 33"
- 18" WALL MOUNT - FOR 48"+
- 30" WALL MOUNT - FOR 60"+

WHAT WIDTH HOOD DO YOU NEED?

WHEREVER POSSIBLE, THE WIDTH OF THE HOOD SHOULD OVERLAP THE BURNERS 3"-6" ON EACH SIDE. THIS IS A MUST FOR ISLANDS.

- 30" 36" 42" 48"
- 54" 60" 66" CUSTOM



WHAT DEPTH HOOD DO YOU NEED?

THE HOOD SHOULD BE DEEP ENOUGH TO COVER ALL BURNERS.

- UNDER CABINET 19-1/2" OR 21" (STANDARD)
- WALL MOUNT 24" STANDARD - MOST PRO-STYLE
27" PRO-STYLE COOKING
- ISLAND HOOD 27" STANDARD COOKING
30" PRO-STYLE COOKING

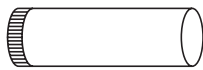
DUCTING - USE CORRECT SIZE AND INSTALL PROPERLY

DUCTING DO'S AND DON'TS

- NEVER RESTRICT DUCT SIZE
- RUN THE DUCT AS SHORT AND STRAIGHT AS POSSIBLE
- ENLARGE THE DUCT FOR LONGER RUNS (OVER 20')
- SEAL ALL JOINTS WITH DUCT TAPE
- MAINTAIN 4 TO 5 FOOT SPACING BETWEEN TURNS
- TURNS SHOULD BE SMOOTH AND GRADUAL

DUCT SIZES

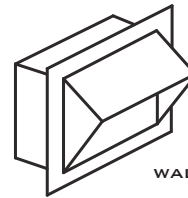
- 12 INCH ROUND DUCT = 113 SQUARE INCHES OF SPACE
- 10 INCH ROUND DUCT = 79 SQUARE INCHES OF SPACE
- 8 INCH ROUND DUCT = 50 SQUARE INCHES OF SPACE
- 7 INCH ROUND DUCT = 38 SQUARE INCHES OF SPACE
- 6 INCH ROUND DUCT = 28 SQUARE INCHES OF SPACE
- 4 INCH ROUND DUCT = 13 SQUARE INCHES OF SPACE



SMOOTH WALLED DUCT



FLEXIBLE DUCT



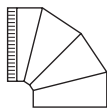
WALL LOUVER

6" ROUND VP526

8" ROUND VP528

10" ROUND VP554

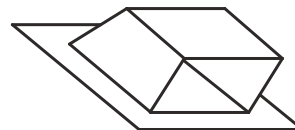
12" ROUND VP555



SMOOTH GRADUAL
TURN



SHARP ANGLED
TURN



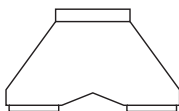
ROOF JACK

6" ROUND VP539-HP

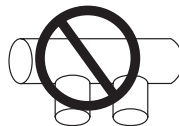
8" ROUND VP541-HP

10" ROUND VP552-HP

12" ROUND VP553-HP



PROPER COMBINING
OF TWO DUCTS



IMPROPER COMBINING
OF TWO DUCTS

*INCLUDES GRAVITY DAMPER - USING OTHER LIKE PRODUCTS MAY JEOPARDIZE PERFORMANCE

Vent-A-Hood®

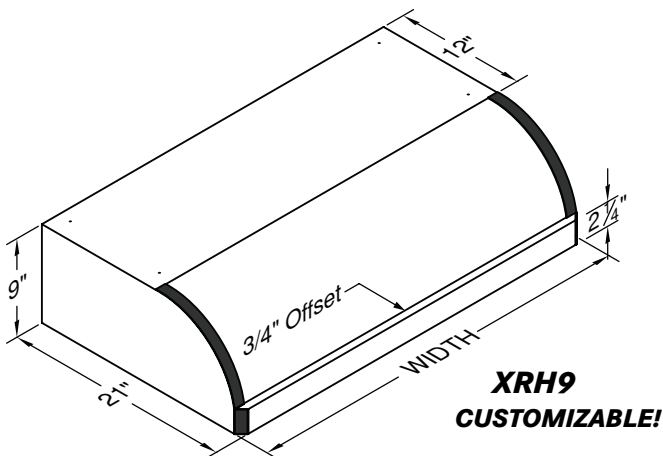
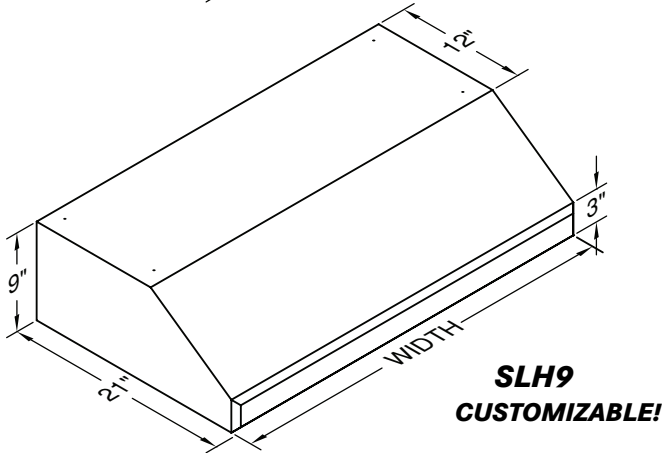
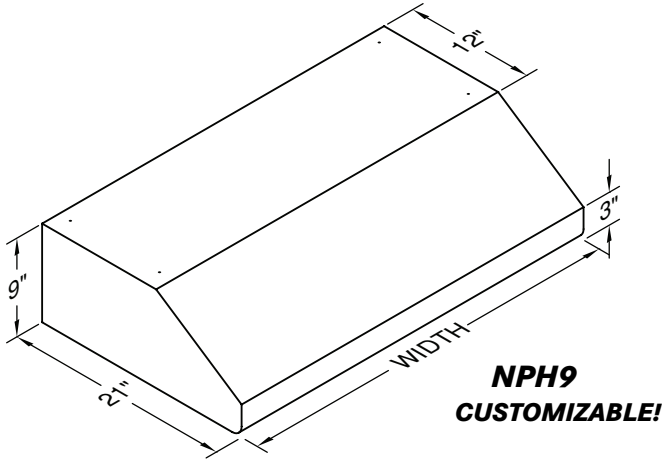
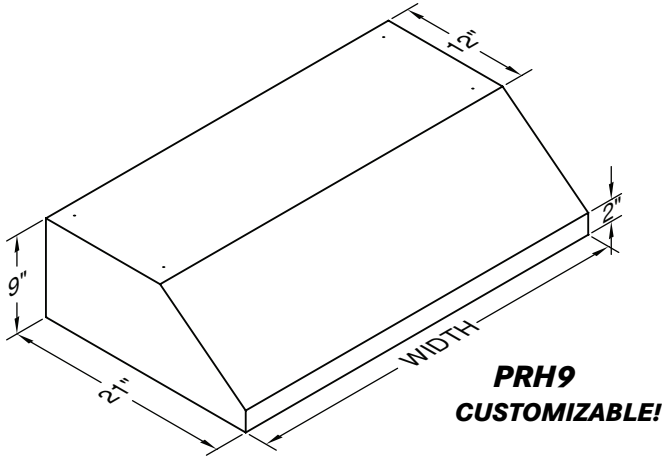
MAGIC LUNG® RANGE HOODS



UNDER CABINET

REC. MOUNTING HEIGHT FROM
COOKING SURFACE: 24"-27"

900 CFM OPTIONAL TRANSITION TO 10" ROUND: VP562
1200 CFM OPTIONAL TRANSITION TO 12" ROUND: VP563



PRH9

Model No.	CFM	Width	Painted	Stainless	Overlay*	#Lts
PRH9-130	300	30"	1,512	1,922	2,920	2
PRH9-136		36"	1,512	1,922	2,920	2
PRH9-142		42"	1,799	2,209	3,294	3
PRH9-148		48"	1,892	2,304	3,386	3
PRH9-230	600	30"	2,177	2,642	3,577	2
PRH9-236		36"	2,177	2,642	3,577	2
PRH9-242		42"	2,458	2,931	3,953	3
PRH9-248		48"	2,549	3,023	4,044	3
PRH9-342	900	42"	3,156	3,791	4,651	3
PRH9-348		48"	3,248	3,886	4,741	3
PRH9-448	1200	48"	3,906	4,605	5,401	3

*FOR OVERLAY MODELS, SPECIFY INTERIOR COLOR.

NPH9

Model No.	CFM	Width	Painted	Stainless	Overlay*	#Lts
NPH9-130	300	30"	1,835	2,423	3,585	2
NPH9-136		36"	1,835	2,423	3,585	2
NPH9-142		42"	2,211	2,847	4,097	3
NPH9-148		48"	2,323	2,962	4,232	3
NPH9-230	600	30"	2,492	3,144	4,243	2
NPH9-236		36"	2,492	3,144	4,243	2
NPH9-242		42"	2,869	3,566	4,752	3
NPH9-248		48"	2,981	3,683	4,889	3
NPH9-342	900	42"	3,566	4,431	5,452	3
NPH9-348		48"	3,679	4,544	5,589	3
NPH9-448	1200	48"	4,336	5,266	6,246	3

*FOR OVERLAY MODELS, SPECIFY INTERIOR COLOR.

SLH9

Model No.	CFM	Width	Painted	Stainless	Overlay*	#Lts
SLH9-130	300	30"	1,835	2,423	3,585	2
SLH9-136		36"	1,835	2,423	3,585	2
SLH9-142		42"	2,211	2,847	4,097	3
SLH9-148		48"	2,323	2,962	4,232	3
SLH9-230	600	30"	2,492	3,144	4,243	2
SLH9-236		36"	2,492	3,144	4,243	2
SLH9-242		42"	2,869	3,566	4,752	3
SLH9-248		48"	2,981	3,683	4,889	3
SLH9-342	900	42"	3,566	4,431	5,452	3
SLH9-348		48"	3,679	4,544	5,589	3
SLH9-448	1200	48"	4,336	5,266	6,246	3

*FOR OVERLAY MODELS, SPECIFY INTERIOR COLOR.

XRH9

Model No.	CFM	Width	Painted	Stainless	Overlay*	#Lts
XRH9-130	300	30"	1,922	2,548	3,777	2
XRH9-136		36"	1,922	2,548	3,777	2
XRH9-142		42"	2,260	2,919	4,184	3
XRH9-148		48"	2,380	3,035	4,325	3
XRH9-230	600	30"	2,580	3,271	4,434	2
XRH9-236		36"	2,580	3,271	4,434	2
XRH9-242		42"	2,920	3,638	4,844	3
XRH9-248		48"	3,037	3,755	4,982	3
XRH9-342	900	42"	3,617	4,501	5,541	3
XRH9-348		48"	3,737	4,619	5,681	3
XRH9-448	1200	48"	4,394	5,339	6,337	3

*FOR OVERLAY MODELS, SPECIFY INTERIOR COLOR.

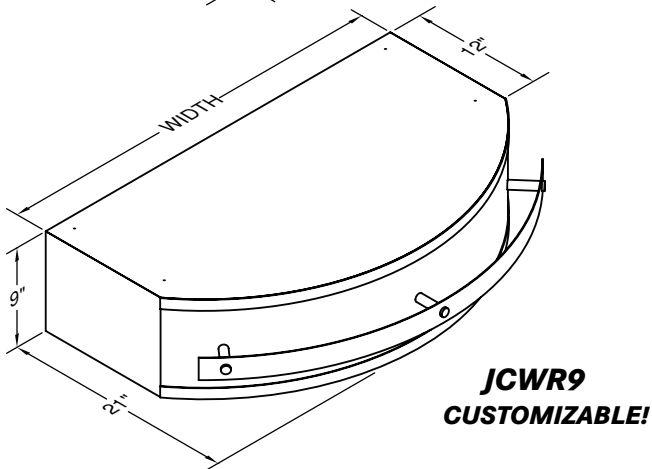
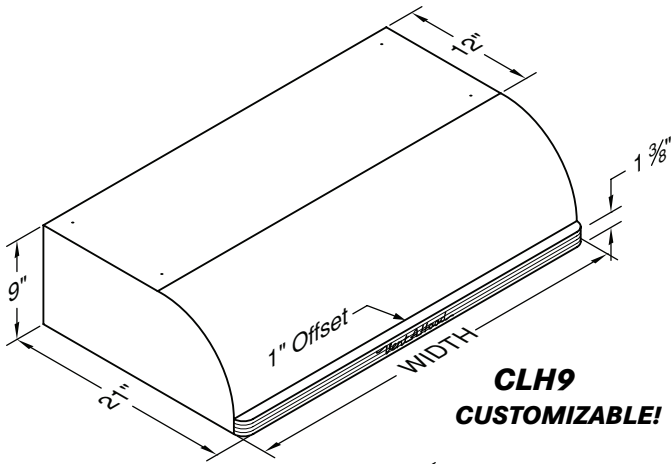
*THERE ARE NO STANDARD BANDS ON OVERLAY MODELS.

1" SS BANDS INCLUDED ON PAINTED AND STAINLESS MODELS.

UNDER CABINET

REC. MOUNTING HEIGHT FROM
COOKING SURFACE: 24"-27"

900 CFM OPTIONAL TRANSITION TO 10" ROUND: VP562
1200 CFM OPTIONAL TRANSITION TO 12" ROUND: VP563



CLH9

Model No.	CFM	Width	Painted	#Lts
CLH9-130	300	30"	1,903	2
CLH9-136		36"	1,903	2
CLH9-142		42"	2,240	3
CLH9-148		48"	2,357	3
CLH9-230	600	30"	2,555	2
CLH9-236		36"	2,555	2
CLH9-242		42"	2,892	3
CLH9-248		48"	3,007	3
CLH9-342	900	42"	3,583	3
CLH9-348		48"	3,703	3
CLH9-448	1200	48"	4,353	3

JCWR9

Model No.	CFM	Width	Stainless	#Lts
JCWR9-130	300	30"	3,299	2
JCWR9-136		36"	3,321	2
JCWR9-142		42"	3,706	3
JCWR9-148		48"	3,846	3
JCWR9-230	600	30"	3,948	2
JCWR9-236		36"	3,974	2
JCWR9-242		42"	4,358	3
JCWR9-248		48"	4,496	3
JCWR9-342	900	42"	5,337	3
JCWR9-348		48"	5,485	3
JCWR9-448	1200	48"	5,841	3

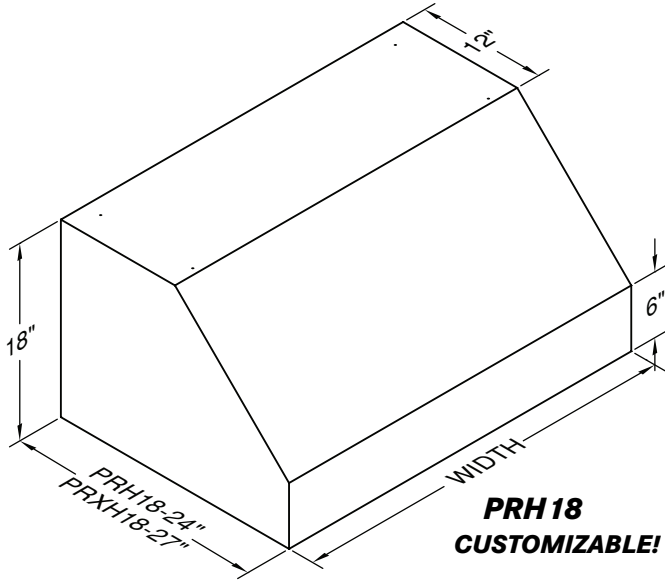
9" TALL UNDER CABINET VARIATIONS

WIDTHS OVER 48"				SPECIAL BLOWER LOCATION
FOR EACH 6" INCREMENT	PAINTED 332	STAINLESS 477	OVERLAY 592	LEFT TO RIGHT, SPECIFY COLLAR CENTERLINE
PLUS		428		ADD 428
SPECIAL WIDTH (LESS THAN 48")				REMOTE BLOWER OPTIONS
USE NEXT LARGEST SIZE ON PRICE LIST, PLUS		428		SEE PAGES 50-51 FOR REMOTE BLOWER OPTIONS
STAINLESS STEEL INTERIOR ON OVERLAY HOOD				TRIM OPTIONS
SUBTRACT PAINTED HOOD PRICE FROM STAINLESS HOOD PRICE				XR HOOD TRIM, NON-STANDARD COLOR 214
				JCWR9 / XR HOOD TRIM, REMOVE 214
				SEE PAGES 56-57 FOR FINISH AND TRIM OPTIONS
CUSTOM COLOR (SEE CUSTOM COLOR CHART)				WARMING LAMPS AND SHELVES
ADD		1340		SEE PAGES 53 FOR WARMING LAMP AND SHELF OPTIONS

PROFESSIONAL/STANDARD WALL MOUNT

REC. MOUNTING HEIGHT FROM
COOKING SURFACE: 30"

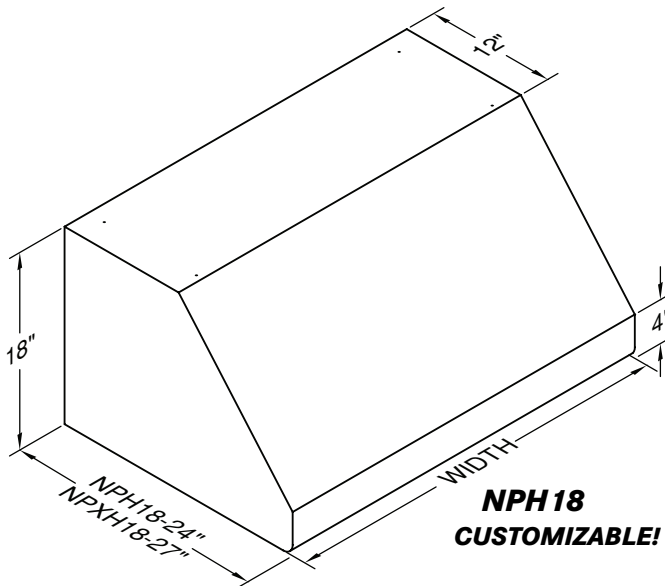
900 CFM OPTIONAL TRANSITION TO 10" ROUND: VP562
1200 CFM OPTIONAL TRANSITION TO 12" ROUND: VP563



PRH18/PRXH18

Model No.	CFM	Width	Painted	Stainless	Overlay*	# Lts
PRH18-130	300	30"	2,321	3,181	4,794	2
PRH18-136		36"	2,366	3,226	4,997	2
PRH18-142		42"	2,703	3,516	5,519	3
PRH18-148		48"	2,841	3,723	5,795	3
PRH18-230	600	30"	3,009	3,936	5,482	2
PRH18-236		36"	3,055	3,978	5,685	2
PRH18-242		42"	3,391	4,269	6,208	3
PRH18-248		48"	3,645	4,476	6,483	3
PRH18-254	900	54"	4,141	5,407	7,576	4
PRH18-342		42"	4,120	5,174	6,940	3
PRH18-348		48"	4,259	5,381	7,214	3
PRH18-354		54"	4,872	6,312	8,309	4
PRH18-360	1200	60"	5,260	6,840	8,970	4
PRH18-448		48"	4,948	6,132	7,902	3
PRH18-454		54"	5,560	7,065	8,994	4
PRH18-460		60"	5,951	7,595	9,660	4
PRH18-466		66"	6,199	7,753	10,184	4

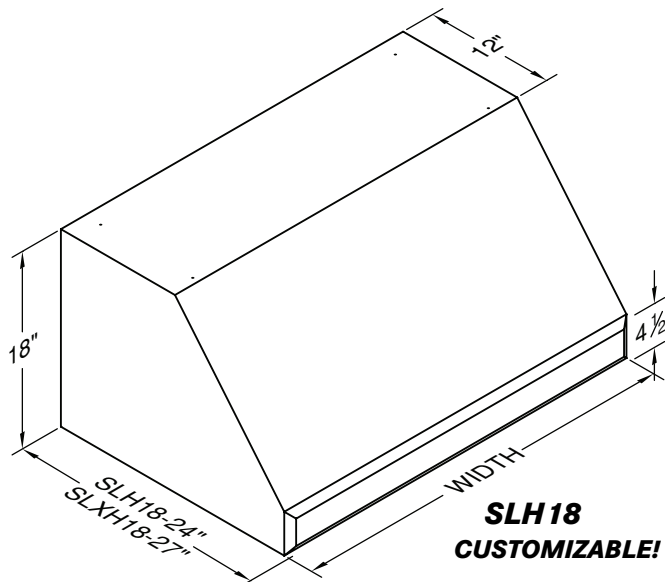
USE PRXH18 MODEL NUMBER PREFIX FOR 27" DEPTH PROJECTION.
* FOR OVERLAY MODELS, SPECIFY INTERIOR COLOR.



NPH18/NPXH18

Model No.	CFM	Width	Painted	Stainless	Overlay*	# Lts
NPH18-130	300	30"	3,099	4,049	5,572	2
NPH18-136		36"	3,148	4,095	5,780	2
NPH18-142		42"	3,596	4,408	6,298	3
NPH18-148		48"	3,617	4,592	6,570	3
NPH18-230	600	30"	3,788	4,805	6,260	2
NPH18-236		36"	3,832	4,850	6,466	2
NPH18-242		42"	4,170	5,162	6,985	3
NPH18-248		48"	4,307	5,344	7,261	3
NPH18-254	900	54"	4,918	6,188	8,352	4
NPH18-342		42"	4,900	6,067	7,721	3
NPH18-348		48"	5,039	6,249	7,991	3
NPH18-354		54"	5,650	7,093	9,088	4
NPH18-360	1200	60"	6,039	7,617	9,775	4
NPH18-448		48"	5,729	7,005	8,680	3
NPH18-454		54"	6,337	7,845	9,775	4
NPH18-460		60"	6,727	8,371	10,464	4
NPH18-466		66"	7,005	8,691	10,965	4

USE NPXH18 MODEL NUMBER PREFIX FOR 27" DEPTH PROJECTION.
* FOR OVERLAY MODELS, SPECIFY INTERIOR COLOR.



SLH18/SLXH18

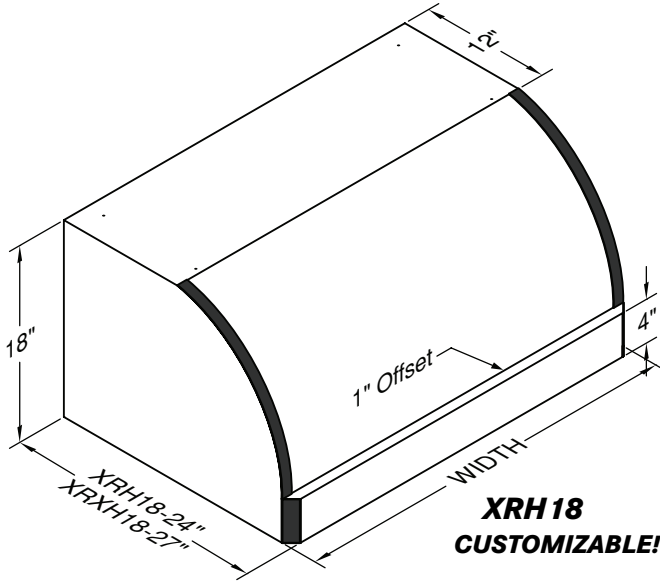
Model No.	CFM	Width	Painted	Stainless	Overlay*	# Lts
SLH18-130	300	30"	3,099	4,049	5,572	2
SLH18-136		36"	3,148	4,095	5,780	2
SLH18-142		42"	3,596	4,408	6,298	3
SLH18-148		48"	3,617	4,592	6,570	3
SLH18-230	600	30"	3,788	4,805	6,260	2
SLH18-236		36"	3,832	4,850	6,466	2
SLH18-242		42"	4,170	5,162	6,985	3
SLH18-248		48"	4,307	5,344	7,261	3
SLH18-254	900	54"	4,918	6,188	8,352	4
SLH18-342		42"	4,900	6,067	7,721	3
SLH18-348		48"	5,039	6,249	7,991	3
SLH18-354		54"	5,650	7,093	9,088	4
SLH18-360	1200	60"	6,039	7,617	9,775	4
SLH18-448		48"	5,729	7,005	8,680	3
SLH18-454		54"	6,337	7,845	9,775	4
SLH18-460		60"	6,727	8,371	10,464	4
SLH18-466		66"	7,005	8,691	10,965	4

USE SLXH18 MODEL NUMBER PREFIX FOR 27" DEPTH PROJECTION.
* FOR OVERLAY MODELS, SPECIFY INTERIOR COLOR.

PROFESSIONAL/STANDARD WALL MOUNT

REC. MOUNTING HEIGHT FROM
COOKING SURFACE: 30"

900 CFM OPTIONAL TRANSITION TO 10" ROUND: VP562
1200 CFM OPTIONAL TRANSITION TO 12" ROUND: VP563



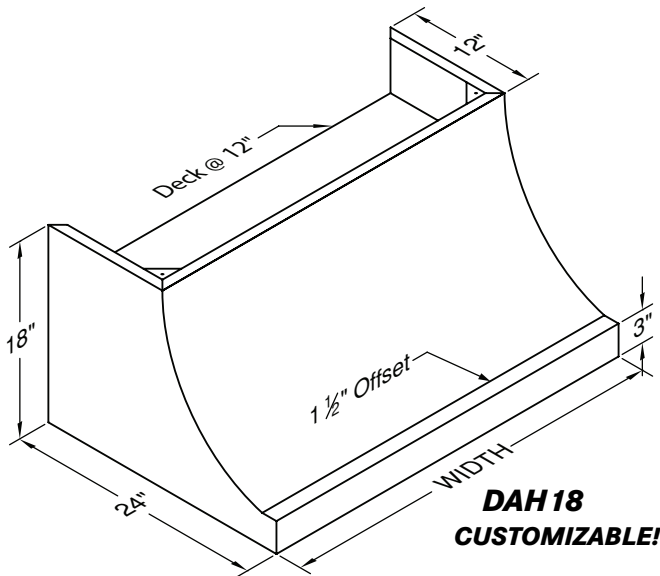
XRH18/XRXH18

Model No.	CFM	Width	Painted	Stainless	Overlay*	# Lts
XRH18-130	300	30"	3,099	4,049	5,572	2
XRH18-136		36"	3,148	4,095	5,780	2
XRH18-142		42"	3,596	4,408	6,298	3
XRH18-148		48"	3,617	4,592	6,570	3
XRH18-230	600	30"	3,788	4,805	6,260	2
XRH18-236		36"	3,832	4,850	6,466	2
XRH18-242		42"	4,170	5,162	6,985	3
XRH18-248		48"	4,307	5,344	7,261	3
XRH18-254	900	54"	4,918	6,188	8,352	4
XRH18-342		42"	4,900	6,067	7,721	3
XRH18-348		48"	5,039	6,249	7,991	3
XRH18-354		54"	5,650	7,093	9,088	4
XRH18-360	1200	60"	6,039	7,617	9,775	4
XRH18-448		48"	5,729	7,005	8,680	3
XRH18-454		54"	6,337	7,845	9,775	4
XRH18-460		60"	6,727	8,371	10,464	4
XRH18-466		66"	7,005	8,691	10,965	4

USE XRXH18 MODEL NUMBER PREFIX FOR 27" DEPTH PROJECTION.

- * FOR OVERLAY MODELS, SPECIFY INTERIOR COLOR.
- * THERE ARE NO STANDARD BANDS ON OVERLAY MODELS.

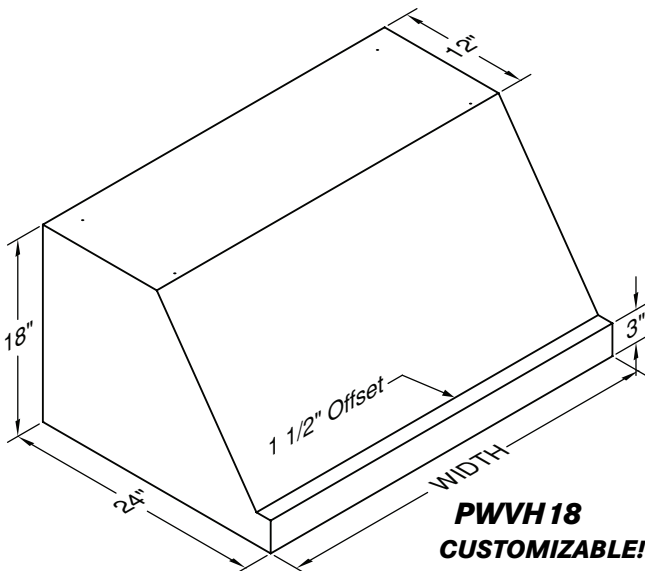
1" SS BANDS INCLUDED ON PAINTED AND STAINLESS MODELS.



DAH 18

Model No.	CFM	Width	Painted	Stainless	Overlay*	# Lts
DAH18-130	300	30"	3,555	4,560	6,162	2
DAH18-136		36"	3,627	4,631	6,378	2
DAH18-142		42"	3,971	4,931	6,915	3
DAH18-148		48"	4,141	5,148	7,200	3
DAH18-230	600	30"	4,241	5,311	6,850	2
DAH18-236		36"	4,313	5,384	7,065	2
DAH18-242		42"	4,661	5,684	7,604	3
DAH18-248		48"	4,828	5,901	7,890	3
DAH18-254	900	54"	5,438	6,777	9,026	4
DAH18-342		42"	5,390	6,589	8,335	3
DAH18-348		48"	5,560	6,806	8,621	3
DAH18-354		54"	6,168	7,682	9,757	4
DAH18-360	1200	60"	6,576	8,234	10,451	4
DAH18-448		48"	6,249	7,559	9,310	3
DAH18-454		54"	6,857	8,436	10,447	4
DAH18-460		60"	7,264	8,987	11,139	4
DAH18-466		66"	7,527	9,326	11,690	4

* FOR OVERLAY MODELS, SPECIFY INTERIOR COLOR.



PWVH 18

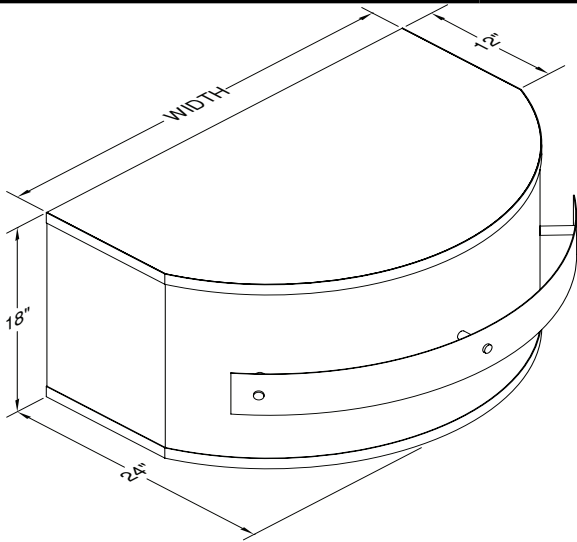
Model No.	CFM	Width	Painted	Stainless	Overlay*	# Lts
PWVH18-130	300	30"	3,555	4,560	6,162	2
PWVH18-136		36"	3,627	4,631	6,378	2
PWVH18-142		42"	3,971	4,931	6,915	3
PWVH18-148		48"	4,141	5,148	7,200	3
PWVH18-230	600	30"	4,241	5,311	6,850	2
PWVH18-236		36"	4,313	5,384	7,065	2
PWVH18-242		42"	4,661	5,684	7,604	3
PWVH18-248		48"	4,828	5,901	7,890	3
PWVH18-254	900	54"	5,438	6,777	9,026	4
PWVH18-342		42"	5,390	6,589	8,335	3
PWVH18-348		48"	5,560	6,806	8,621	3
PWVH18-354		54"	6,168	7,682	9,757	4
PWVH18-360	1200	60"	6,576	8,234	10,451	4
PWVH18-448		48"	6,249	7,559	9,310	3
PWVH18-454		54"	6,857	8,436	10,447	4
PWVH18-460		60"	7,264	8,987	11,139	4
PWVH18-466		66"	7,527	9,326	11,690	4

* FOR OVERLAY MODELS, SPECIFY INTERIOR COLOR.

PROFESSIONAL/STANDARD WALL MOUNT

REC. MOUNTING HEIGHT FROM
COOKING SURFACE: 30"

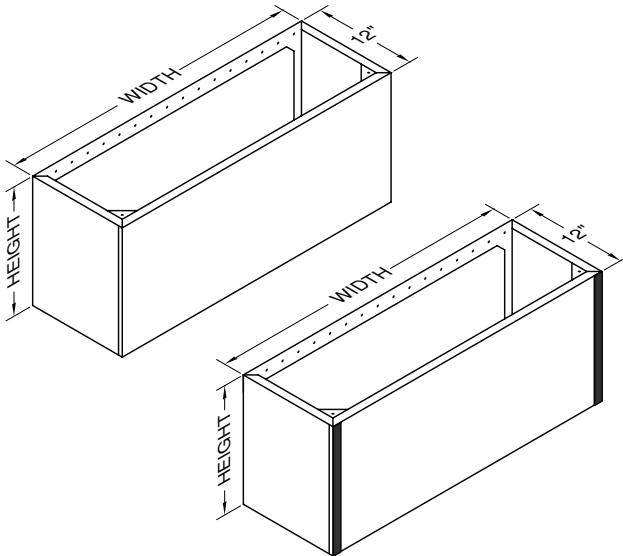
900 CFM OPTIONAL TRANSITION TO 10" ROUND: VP562
1200 CFM OPTIONAL TRANSITION TO 12" ROUND: VP563



JCWR18

JCWR18

Model No.	CFM	Width	Stainless	# Lts
JCWR18-130	300	30"	4,990	2
JCWR18-136		36"	5,111	2
JCWR18-142		42"	5,505	3
JCWR18-148		48"	5,696	3
JCWR18-230	600	30"	5,657	2
JCWR18-236		36"	5,777	2
JCWR18-242		42"	6,173	3
JCWR18-248		48"	6,364	3
JCWR18-254	900	54"	7,556	4
JCWR18-342		42"	6,881	3
JCWR18-348		48"	7,073	3
JCWR18-354		54"	8,262	4
JCWR18-360	1200	60"	8,984	4
JCWR18-448		48"	7,739	3
JCWR18-454		54"	8,930	4
JCWR18-460		60"	9,652	4
JCWR18-466		66"	9,702	4



WDCRND/XDCRND

Model No.	Width	Height	Painted	Stainless	Overlay	Ceiling
WDCRND-30	30"	12"	969	1,143	1,408	8'
WDCRND-30/24		24"	1,275	1,605	2,153	9'
WDCRND-30/36		36"	1,559	2,088	2,878	10'
WDCRND-36	36"	12"	1,034	1,230	1,559	8'
WDCRND-36/24		24"	1,383	1,802	2,441	9'
WDCRND-36/36		36"	1,759	2,374	3,319	10'
WDCRND-42	42"	12"	1,101	1,340	1,692	8'
WDCRND-42/24		24"	1,518	2,000	2,726	9'
WDCRND-42/36		36"	1,934	2,659	3,759	10'
WDCRND-48	48"	12"	1,143	1,430	1,846	8'
WDCRND-48/24		24"	1,627	2,177	3,034	9'
WDCRND-48/36		36"	2,111	2,925	4,196	10'
WDCRND-54	54"	12"	1,208	1,518	2,000	8'
WDCRND-60	60"	12"	1,275	1,605	2,153	8'
WDCRND-66	66"	12"	1,340	1,716	2,285	8'
CUSTOM	WIDTH X HEIGHT X		1.00	1.50	2.00	
	PLUS			734		
FINISHED TOP	WIDTH X DEPTH X		1.00	1.50	2.00	
	PLUS			428		
SLOPED TOP •	ADD			734		

USE XDCRND MODEL NUMBER PREFIX FOR XRH18/XRXH18 HOODS.
1" SS BANDS INCLUDED ON PAINTED AND STAINLESS XDCRND MODELS.
CEILING BASED ON REC. MAXIMUM MOUNTING HEIGHT FOR 18" T WALL MOUNT HOOD.
• SPECIFY FRONT TO BACK OR LEFT TO RIGHT DIMENSIONS.

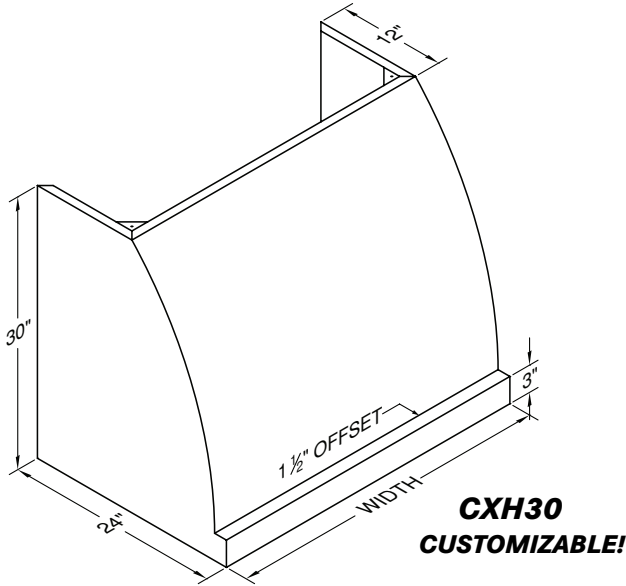
18" TALL WALL MOUNT HOOD VARIATIONS

WIDTHS OVER 66"				CLIPPED CORNER (NON-NP/SL/XR MODELS)	
FOR EACH 6" INCREMENT	PAINTED	STAINLESS	OVERLAY	PER CORNER, ADD	734
PLUS	332	477	592		
SPECIAL WIDTH (LESS THAN 66")				SPECIAL BLOWER LOCATION	
USE NEXT LARGEST SIZE ON PRICE LIST,				LEFT TO RIGHT, SPECIFY COLLAR CENTERLINE	
PLUS		428		ADD	428
SPECIAL HEIGHT (LESS THAN STANDARD HOOD HEIGHT)				SPECIAL DECK (9" MINIMUM)	
USE STANDARD HOOD PRICE,				ADD	428
PLUS		734			
DEPTH OVER 24" (EXCLUDING 27" WHERE APPLICABLE)				STAINLESS STEEL INTERIOR ON OVERLAY HOOD	
WIDTH X EXTRA DEPTH X	PAINTED	STAINLESS	OVERLAY	SUBTRACT PAINTED HOOD PRICE FROM STAINLESS HOOD PRICE	
PLUS	2	3	4		
SPECIAL DEPTH (LESS THAN 24")				ADDITIONAL BLOWERS & LIGHTS	
USE STANDARD HOOD PRICE,				SEE PAGE 50 FOR BLOWER OPTIONS	
PLUS		734		REMOTE BLOWER OPTIONS	
SLOPE, LIP, OFFSET, OR TOP VARIATION				SEE PAGES 50-51 FOR REMOTE BLOWER OPTIONS	
PER VARIATION, ADD		734		CUSTOM COLOR (SEE CUSTOM COLOR CHART)	
CONCAVE, CONVEX, SLOPED END (NON-OVERLAY SL MODELS)				ADD	1340
TOP WIDTH REDUCED BY 6" EACH. PER END, ADD				TRIM OPTIONS	
				XR HOOD TRIM, NON-STANDARD COLOR	214
				JCWR18/XR HOOD TRIM, REMOVE	214
				SEE PAGES 56-57 FOR FINISH AND TRIM OPTIONS	
				WARMING LAMPS AND SHELVES	
				SEE PAGES 53 FOR WARMING LAMP AND SHELF OPTIONS	

PROFESSIONAL/STANDARD WALL MOUNT

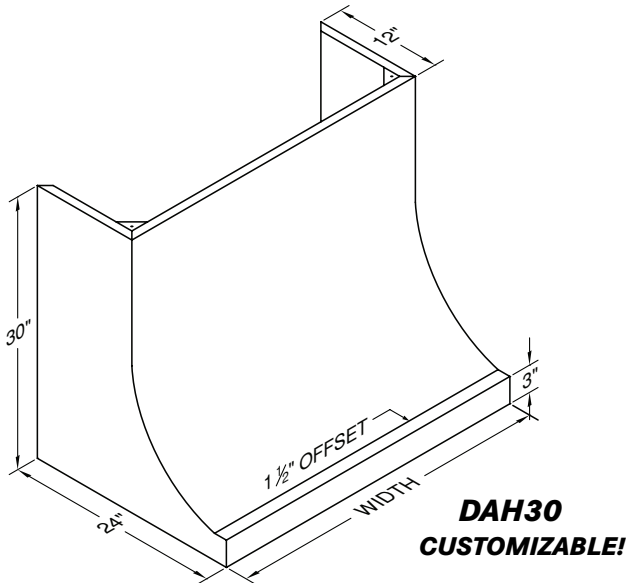
REC. MOUNTING HEIGHT FROM
COOKING SURFACE: 30"

900 CFM OPTIONAL TRANSITION TO 10" ROUND: VP562
1200 CFM OPTIONAL TRANSITION TO 12" ROUND: VP563



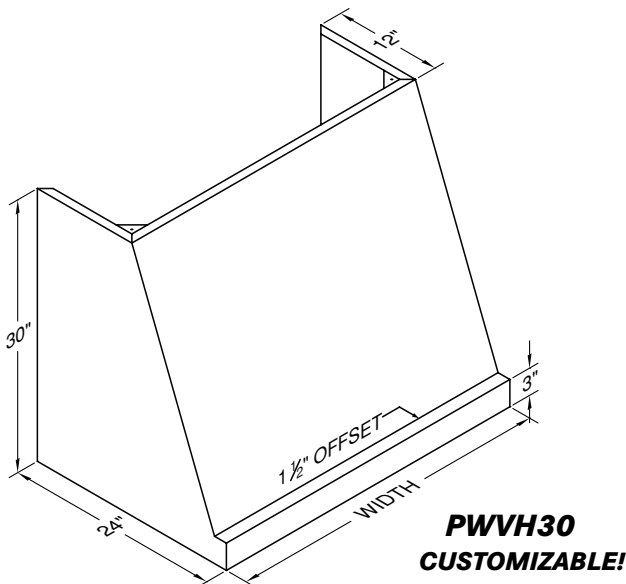
CXH30						
Model No.	CFM	Width	Painted	Stainless	Overlay*	# Lts
CXH30-130	300	30"	4,659	6,292	8,841	2
CXH30-136		36"	4,907	6,637	9,483	2
CXH30-142		42"	5,435	7,263	10,475	3
CXH30-148		48"	5,782	7,708	11,215	3
CXH30-230	600	30"	5,348	7,045	9,531	2
CXH30-236		36"	5,597	7,391	10,172	2
CXH30-242		42"	6,123	8,017	11,164	3
CXH30-248		48"	6,469	8,464	11,905	3
CXH30-254	900	54"	7,418	9,810	13,707	4
CXH30-342		42"	6,854	8,921	11,897	3
CXH30-348		48"	7,200	9,368	12,637	3
CXH30-354		54"	8,151	10,712	14,438	4
CXH30-360	1200	60"	8,795	11,575	15,623	4
CXH30-448		48"	7,890	10,121	13,327	3
CXH30-454		54"	8,838	11,468	15,128	4
CXH30-460		60"	9,483	12,330	16,307	4
CXH30-466		66"	9,950	12,974	17,317	4

*FOR OVERLAY MODELS, SPECIFY INTERIOR COLOR.



DAH30						
Model No.	CFM	Width	Painted	Stainless	Overlay*	# Lts
DAH30-130	300	30"	4,659	6,292	8,841	2
DAH30-136		36"	4,907	6,637	9,483	2
DAH30-142		42"	5,435	7,263	10,475	3
DAH30-148		48"	5,782	7,708	11,215	3
DAH30-230	600	30"	5,348	7,045	9,531	2
DAH30-236		36"	5,597	7,391	10,172	2
DAH30-242		42"	6,123	8,017	11,164	3
DAH30-248		48"	6,469	8,464	11,905	3
DAH30-254	900	54"	7,418	9,810	13,707	4
DAH30-342		42"	6,854	8,921	11,897	3
DAH30-348		48"	7,200	9,368	12,637	3
DAH30-354		54"	8,151	10,712	14,438	4
DAH30-360	1200	60"	8,795	11,575	15,623	4
DAH30-448		48"	7,890	10,121	13,327	3
DAH30-454		54"	8,838	11,468	15,128	4
DAH30-460		60"	9,483	12,330	16,307	4
DAH30-466		66"	9,950	12,974	17,317	4

*FOR OVERLAY MODELS, SPECIFY INTERIOR COLOR.



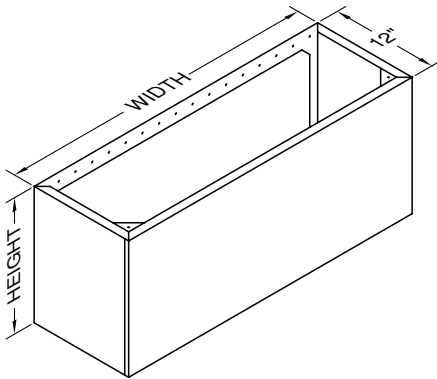
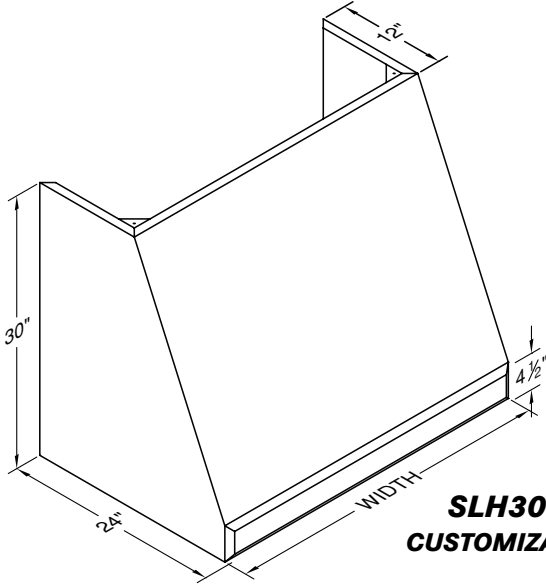
PWVH30						
Model No.	CFM	Width	Painted	Stainless	Overlay*	# Lts
PWVH30-130	300	30"	4,659	6,292	8,841	2
PWVH30-136		36"	4,907	6,637	9,483	2
PWVH30-142		42"	5,435	7,263	10,475	3
PWVH30-148		48"	5,782	7,708	11,215	3
PWVH30-230	600	30"	5,348	7,045	9,531	2
PWVH30-236		36"	5,597	7,391	10,172	2
PWVH30-242		42"	6,123	8,017	11,164	3
PWVH30-248		48"	6,469	8,464	11,905	3
PWVH30-254	900	54"	7,418	9,810	13,707	4
PWVH30-342		42"	6,854	8,921	11,897	3
PWVH30-348		48"	7,200	9,368	12,637	3
PWVH30-354		54"	8,151	10,712	14,438	4
PWVH30-360	1200	60"	8,795	11,575	15,623	4
PWVH30-448		48"	7,890	10,121	13,327	3
PWVH30-454		54"	8,838	11,468	15,128	4
PWVH30-460		60"	9,483	12,330	16,307	4
PWVH30-466		66"	9,950	12,974	17,317	4

*FOR OVERLAY MODELS, SPECIFY INTERIOR COLOR.

PROFESSIONAL/STANDARD WALL MOUNT

REC. MOUNTING HEIGHT FROM
COOKING SURFACE: 30"

900 CFM OPTIONAL TRANSITION TO 10" ROUND: VP562
1200 CFM OPTIONAL TRANSITION TO 12" ROUND: VP563



SLH30

Model No.	CFM	Width	Painted	Stainless	Overlay*	# Lts
SLH30-130	300	30"	4,659	6,292	8,841	2
SLH30-136		36"	4,907	6,637	9,483	2
SLH30-142		42"	5,435	7,263	10,475	3
SLH30-148		48"	5,782	7,708	11,215	3
SLH30-230	600	30"	5,348	7,045	9,531	2
SLH30-236		36"	5,597	7,391	10,172	2
SLH30-242		42"	6,123	8,017	11,164	3
SLH30-248		48"	6,469	8,464	11,905	3
SLH30-254	900	54"	7,418	9,810	13,707	4
SLH30-342		42"	6,854	8,921	11,897	3
SLH30-348		48"	7,200	9,368	12,637	3
SLH30-354		54"	8,151	10,712	14,438	4
SLH30-360	1200	60"	8,795	11,575	15,623	4
SLH30-448		48"	7,890	10,121	13,327	3
SLH30-454		54"	8,838	11,468	15,128	4
SLH30-460		60"	9,483	12,330	16,307	4
SLH30-466		66"	9,950	12,974	17,317	4

*FOR OVERLAY MODELS, SPECIFY INTERIOR COLOR.

WDCRND

Model No.	Width	Height	Painted	Stainless	Overlay	Ceiling
WDCRND-30	30"	12"	969	1,143	1,408	9'
WDCRND-30/24		24"	1,275	1,605	2,153	10'
WDCRND-30/36		36"	1,559	2,088	2,878	11'
WDCRND-36	36"	12"	1,034	1,230	1,559	9'
WDCRND-36/24		24"	1,383	1,802	2,441	10'
WDCRND-36/36		36"	1,759	2,374	3,319	11'
WDCRND-42	42"	12"	1,101	1,340	1,692	9'
WDCRND-42/24		24"	1,518	2,000	2,726	10'
WDCRND-42/36		36"	1,934	2,659	3,759	11'
WDCRND-48	48"	12"	1,143	1,430	1,846	9'
WDCRND-48/24		24"	1,627	2,177	3,034	10'
WDCRND-48/36		36"	2,111	2,925	4,196	11'
WDCRND-54	54"	12"	1,208	1,518	2,000	9'
WDCRND-60	60"	12"	1,275	1,605	2,153	9'
WDCRND-66	66"	12"	1,340	1,716	2,285	9'
CUSTOM	WIDTH X HEIGHT X PLUS		1.00	1.50	2.00	734
	FINISHED TOP					
FINISHED TOP	WIDTH X DEPTH X PLUS		1.00	1.50	2.00	428
	SLOPED TOP*		ADD 734			

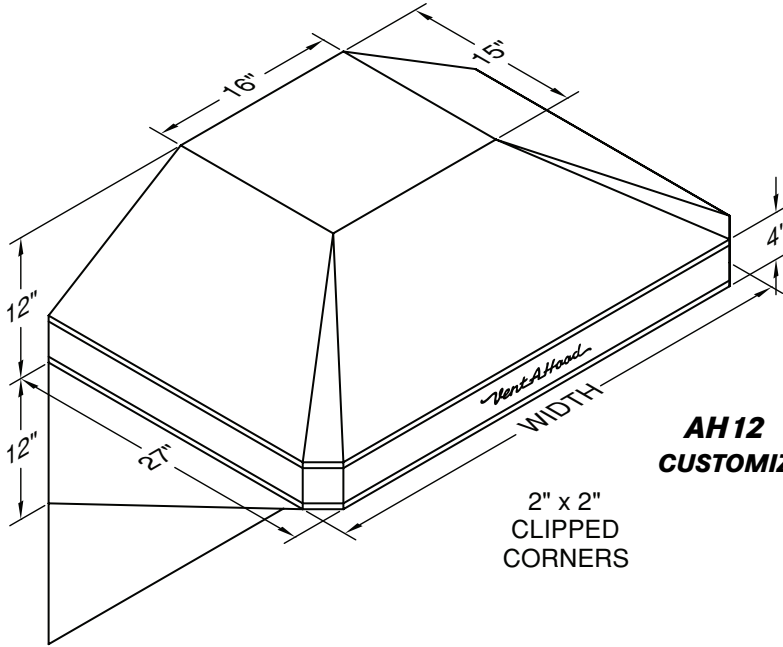
CEILING BASED ON REC. MAXIMUM MOUNTING HEIGHT FOR 30" T WALL MOUNT HOOD.
*SPECIFY FRONT TO BACK OR LEFT TO RIGHT DIMENSIONS.

30" TALL WALL MOUNT HOOD VARIATIONS

WIDTHS OVER 66"				CONCAVE, CONVEX, SLOPED END (NON-OVERLAY SL MODELS)
FOR EACH 6" INCREMENT	PAINTED 332	STAINLESS 477	OVERLAY 592	TOP WIDTH REDUCED BY 6" EACH. PER END, ADD 734
PLUS		428		CLIPPED CORNER (NON-NP/SL/XR MODELS)
SPECIAL WIDTH (LESS THAN 66")				PER CORNER, ADD 734
USE NEXT LARGEST SIZE ON PRICE LIST, PLUS		428		SPECIAL BLOWER LOCATION
HEIGHT OVER 30"				LEFT TO RIGHT, SPECIFY COLLAR CENTERLINE
WIDTH X EXTRA HEIGHT X PLUS	PAINTED 2	STAINLESS 3	OVERLAY 4	ADD 428
SPECIAL HEIGHT (LESS THAN STANDARD HOOD HEIGHT)				SPECIAL DECK (9" MINIMUM, 12" STANDARD)
USE STANDARD HOOD PRICE, PLUS		734		ADD 428
DEPTH OVER 24" (EXCLUDING 27" WHERE APPLICABLE)				STAINLESS STEEL INTERIOR ON OVERLAY HOOD
WIDTH X EXTRA DEPTH X PLUS	PAINTED 2	STAINLESS 3	OVERLAY 4	SUBTRACT PAINTED HOOD PRICE FROM STAINLESS HOOD PRICE
SPECIAL DEPTH (LESS THAN 24")				ADDITIONAL BLOWERS & LIGHTS
USE STANDARD HOOD PRICE, PLUS		734		SEE PAGE 50 FOR BLOWER OPTIONS
SLOPE, LIP, OFFSET, OR TOP VARIATION				REMOTE BLOWER OPTIONS
PER VARIATION, ADD		734		SEE PAGES 50-51 FOR REMOTE BLOWER OPTIONS
				CUSTOM COLOR (SEE CUSTOM COLOR CHART)
				ADD 1340
				TRIM OPTIONS
				SEE PAGES 56-57 FOR FINISH AND TRIM OPTIONS
				WARMING LAMPS AND SHELVES
				SEE PAGES 53 FOR WARMING LAMP AND SHELF OPTIONS

PROFESSIONAL/STANDARD WALL MOUNT

REC. MOUNTING HEIGHT FROM
COOKING SURFACE: 33"



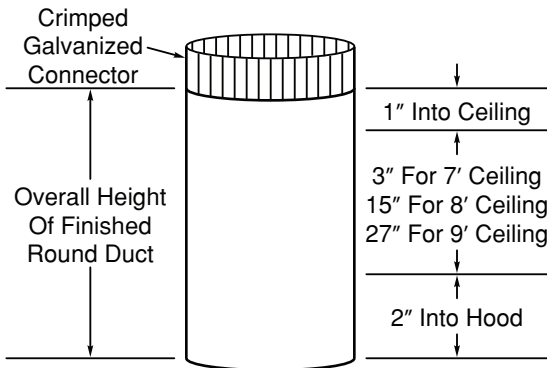
**AH12
CUSTOMIZABLE!**

2" x 2"
CLIPPED
CORNERS

AH12

Model No.	CFM	Width	Painted	# Lts
AH12-130	300	30"	3,273	2
AH12-136		36"	3,321	2
AH12-142		42"	3,678	3
AH12-148	600	48"	3,824	3
AH12-236		36"	4,010	2
AH12-242		42"	4,367	3
AH12-248		48"	4,513	3

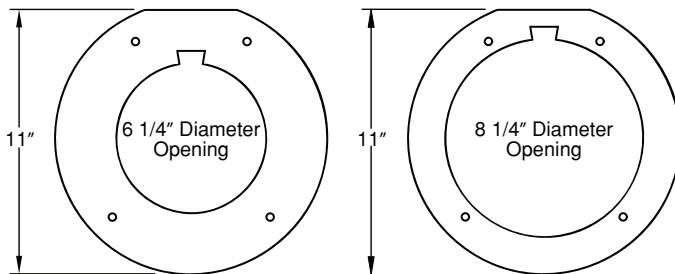
HOOD INCLUDES TWO SIDE WING PANELS AND SPLASH PANEL 30" TALL X WIDTH OF HOOD.



FINISHED DUCTS FOR AH12

Model No.	Width	Height	Painted	Ceiling
ARDC-6/6	6"	6"	135	7'
ARDC-6/18		18"	182	8'
ARDC-6/30		30"	224	9'
ARDC-8/6	8"	6"	135	7'
ARDC-8/18		18"	224	8'
ARDC-8/30		30"	270	9'
CUSTOM	WIDTH X HEIGHT X PLUS		1.00	734

NOTE: FINISHED ROUND DUCT EXTENDS 2" INTO TOP OF HOOD AND 1" INTO CEILING. CEILING BASED ON REC. MAXIMUM HOOD MOUNTING HEIGHT.



FINISHED DUCT ACCESSORIES

MODEL NO.	WIDTH	PAINTED
ARC6	6"	42
ARC8	8"	42

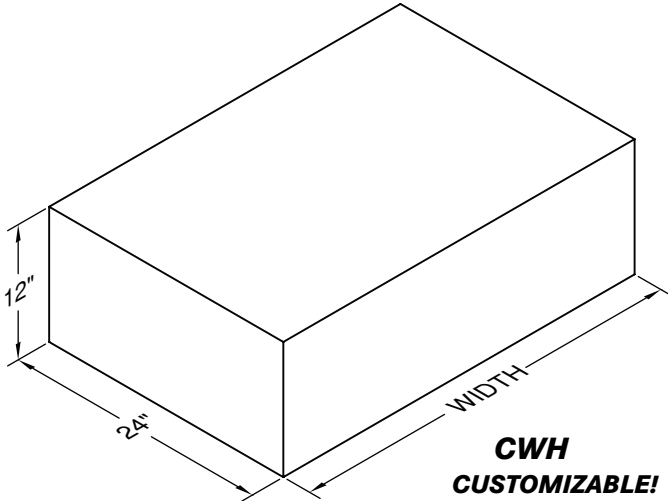
AH12 RETRO-STYLE WALL MOUNT HOOD VARIATIONS

SPECIAL WIDTH (LESS THAN 48") USE NEXT LARGEST SIZE ON PRICE LIST, PLUS	734	CUSTOM COLOR (SEE CUSTOM COLOR CHART) ADD	1340
--	-----	---	------

PROFESSIONAL/STANDARD WALL MOUNT

REC. MOUNTING HEIGHT FROM
COOKING SURFACE: 30"

900 CFM OPTIONAL TRANSITION TO 10" ROUND: VP562
1200 CFM OPTIONAL TRANSITION TO 12" ROUND: VP563



CWH						
Model No.	CFM	Width	Painted	Stainless	Overlay*	# Lts
CWH-130	300	30"	3,065	4,237	5,788	2
CWH-136		36"	3,111	4,308	6,019	2
CWH-142		42"	3,498	4,670	6,617	3
CWH-148		48"	3,659	4,858	6,941	3
CWH-230	600	30"	3,752	4,993	6,475	2
CWH-236		36"	3,801	5,063	6,707	2
CWH-242		42"	4,186	5,424	7,306	3
CWH-248		48"	4,349	5,609	7,629	3
CWH-254	900	54"	5,178	6,743	8,832	4
CWH-342		42"	4,918	6,328	8,037	3
CWH-348		48"	5,080	6,514	8,363	3
CWH-354		54"	5,909	7,648	9,563	4
CWH-360	1200	60"	6,305	8,182	10,284	4
CWH-448		48"	5,768	7,267	9,051	3
CWH-454		54"	6,598	8,401	10,254	4
CWH-460		60"	6,994	8,936	10,975	4
CWH-466		66"	7,320	9,331	11,534	4

*FOR OVERLAY MODELS, SPECIFY INTERIOR COLOR.

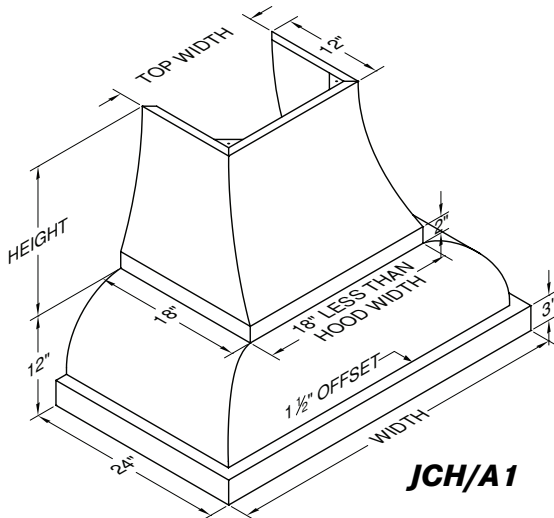
CWH WALL MOUNT HOOD VARIATIONS

WIDTHS OVER 66"				ROUNDED CORNER
FOR EACH 6" INCREMENT	PAINTED 332	STAINLESS 477	OVERLAY 592	NO OFFSETS OR LIP, MINIMUM 4 INCH RADIUS
PLUS		428		PER CORNER, ADD 829
SPECIAL WIDTH (LESS THAN 66")				SPECIAL BLOWER LOCATION
USE NEXT LARGEST SIZE ON PRICE LIST,				LEFT TO RIGHT, SPECIFY COLLAR CENTERLINE
PLUS		428		ADD 428
SPECIAL HEIGHT (BETWEEN 9" & 12")				SPECIAL DECK (9" MINIMUM)
USE STANDARD PRICE,				ADD 428
PLUS		734		STAINLESS STEEL INTERIOR ON OVERLAY HOOD
HEIGHT OVER 12"				SUBTRACT PAINTED HOOD PRICE FROM STAINLESS HOOD PRICE
WIDTH X EXTRA HEIGHT X	PAINTED 2.00	STAINLESS 3.00	OVERLAY 4.00	ADDITIONAL BLOWERS & LIGHTS
PLUS		734		SEE PAGE 50 FOR BLOWER OPTIONS
DEPTH LESS THAN 24"				REMOTE BLOWER OPTIONS
ADD		734		SEE PAGES 50-51 FOR REMOTE BLOWER OPTIONS
DEPTH OVER 24"				CUSTOM COLOR (SEE CUSTOM COLOR CHART)
WIDTH X EXTRA DEPTH X	PAINTED 2.00	STAINLESS 3.00	OVERLAY 4.00	ADD 1340
PLUS		734		TRIM OPTIONS
LIP AND OFFSET				SEE PAGES 56-57 FOR FINISH AND TRIM OPTIONS
1, 2 OR 3 SIDES, ADD		734		WARMING LAMPS AND SHELVES
				SEE PAGES 53 FOR WARMING LAMP AND SHELF OPTIONS

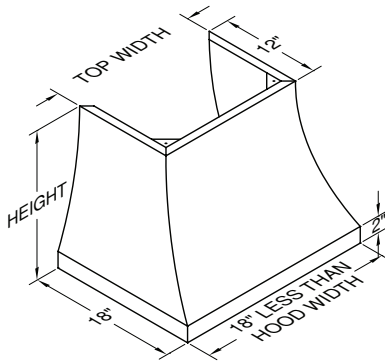
DESIGNER SERIES WALL MOUNT

REC. MOUNTING HEIGHT FROM
COOKING SURFACE: 30"

900 CFM & 1200 CFM MODELS:
TRANSITION INCLUDED IN HOOD



SHOWN WITH
MATCHING DUCT COVER
(SOLD SEPARATELY)



JCH/A1

Model No.	CFM	Width	Top W.	Painted	Stainless	Overlay*	# Lts
JCH136/A1	300	36"	18"	4,162	5,120	6,722	2
JCH142/A1		42"	24"	4,491	5,403	7,246	3
JCH148/A1	600	48"	30"	4,656	5,615	7,509	3
JCH236/A1		36"	18"	4,825	5,848	7,390	2
JCH242/A1		42"	24"	5,156	6,131	7,913	3
JCH248/A1		48"	30"	5,322	6,345	8,177	3
JCH348/A1	900*	48"	30"	6,031	7,219	8,887	3
JCH354/A1		54"	36"	7,145	8,607	10,501	4
JCH360/A1		60"	42"	7,409	8,966	11,051	4
JCH454/A1	1200+	54"	36"	7,811	9,335	11,169	4
JCH460/A1		60"	42"	8,075	9,700	11,718	4
JCH466/A1		66"	48"	8,391	10,119	12,297	4

*FOR OVERLAY HOODS, SPECIFY INTERIOR COLOR.
*VP562 TRANSITION TO 10" ROUND INCLUDED.
+VP563 TRANSITION TO 12" ROUND INCLUDED.

DUCT COVERS FOR JCH/A1

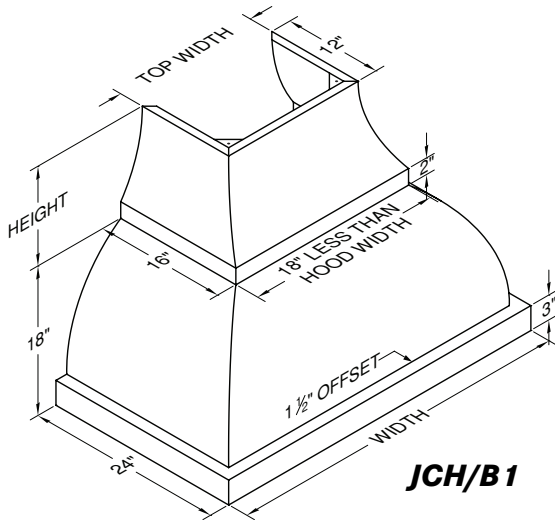
Model No.	Width	Top W.	Height	Painted	Stainless	Overlay*	Ceiling
CDC-18/12/18	18"	12"	18"	1,590	1,750	1,973	8'
CDC-18/12/30		12"	30"	2,309	2,577	2,981	9'
CDC-18/12/42	24"	12"	42"	2,487	2,867	3,451	10'
CDC-24/12/18		18"	18"	1,683	1,882	2,195	8'
CDC-24/12/30		12"	30"	2,465	2,826	3,363	9'
CDC-24/12/42		12"	42"	2,711	3,203	3,988	10'
CDC-30/12/18	30"	24"	18"	1,770	2,017	2,419	8'
CDC-30/12/30		12"	30"	2,622	3,068	3,742	9'
CDC-30/12/42	36"	12"	42"	2,934	3,560	4,527	10'
CDC-36/12/18		30"	18"	1,860	2,174	2,645	8'
CDC-36/12/30		18"	30"	2,779	3,316	4,125	9'
CDC-36/12/42		18"	42"	3,161	3,897	5,063	10'
CDC-42/12/18	42"	36"	18"	1,950	2,309	2,846	8'
CDC-42/12/30		24"	30"	2,934	3,560	4,527	9'
CDC-42/12/42		18"	42"	3,383	4,257	5,577	10'
CDC-48/12/18	48"	42"	18"	2,040	2,444	3,068	8'
CDC-48/12/30		30"	30"	3,093	3,810	4,904	9'
CDC-48/12/42		24"	42"	3,606	4,594	6,115	10'

*TRIM REQUIRED ON MODELS EXCEEDING 35" WIDTH AND 30" HEIGHT.
CEILING BASED ON REC. MAXIMUM HOOD MOUNTING HEIGHT.

DESIGNER SERIES WALL MOUNT

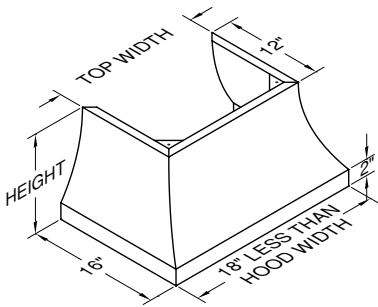
REC. MOUNTING HEIGHT FROM
COOKING SURFACE: 30"

900 CFM & 1200 CFM MODELS:
TRANSITION INCLUDED IN HOOD



JCH/B1

SHOWN WITH
MATCHING DUCT COVER
(SOLD SEPARATELY)



JCH/B1

Model No.	CFM	Width	Top W.	Painted	Stainless	Overlay*	# Lts
JCH136/B1	300	36"	18"	4,162	5,120	6,722	2
JCH142/B1		42"	24"	4,491	5,403	7,246	3
JCH148/B1	600	48"	30"	4,656	5,615	7,509	3
JCH236/B1		36"	18"	4,825	5,848	7,390	2
JCH242/B1		42"	24"	5,156	6,131	7,913	3
JCH248/B1		48"	30"	5,322	6,345	8,177	3
JCH348/B1	900*	48"	30"	6,031	7,219	8,887	3
JCH354/B1		54"	36"	7,145	8,607	10,501	4
JCH360/B1		60"	42"	7,409	8,966	11,051	4
JCH454/B1	1200+	54"	36"	7,811	9,335	11,169	4
JCH460/B1		60"	42"	8,075	9,700	11,718	4
JCH466/B1		66"	48"	8,391	10,119	12,297	4

*FOR OVERLAY HOODS, SPECIFY INTERIOR COLOR.
*VP562 TRANSITION TO 10" ROUND INCLUDED.
+VP563 TRANSITION TO 12" ROUND INCLUDED.

DUCT COVERS FOR JCH/B1

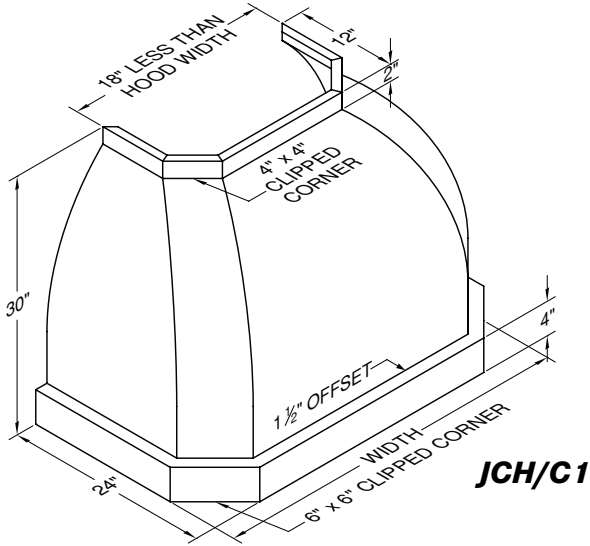
Model No.	Width	Top W.	Height	Painted	Stainless	Overlay*	Ceiling
CDC-18/12/12	18"	12"	12"	1,590	1,750	1,973	8'
CDC-18/12/24		12"	24"	2,309	2,577	2,981	9'
CDC-18/12/36	24"	12"	36"	2,487	2,867	3,451	10'
CDC-24/12/12		18"	12"	1,683	1,882	2,195	8'
CDC-24/12/24		12"	24"	2,465	2,826	3,363	9'
CDC-24/12/36		12"	36"	2,711	3,203	3,988	10'
CDC-30/12/12	30"	24"	12"	1,770	2,017	2,419	8'
CDC-30/12/24		12"	24"	2,622	3,068	3,742	9'
CDC-30/12/36	36"	12"	36"	2,934	3,560	4,527	10'
CDC-36/12/12		30"	12"	1,860	2,174	2,645	8'
CDC-36/12/24		18"	24"	2,779	3,316	4,125	9'
CDC-36/12/36		18"	36"	3,161	3,897	5,063	10'
CDC-42/12/12	42"	36"	12"	1,950	2,309	2,846	8'
CDC-42/12/24		24"	24"	2,934	3,560	4,527	9'
CDC-42/12/36		18"	36"	3,383	4,257	5,577	10'
CDC-48/12/12	48"	42"	12"	2,040	2,444	3,068	8'
CDC-48/12/24		30"	24"	3,093	3,810	4,904	9'
CDC-48/12/36		24"	36"	3,606	4,594	6,115	10'

*TRIM REQUIRED ON MODELS EXCEEDING 35" WIDTH AND 30" HEIGHT.
CEILING BASED ON REC. MAXIMUM HOOD MOUNTING HEIGHT.

DESIGNER SERIES WALL MOUNT

REC. MOUNTING HEIGHT FROM
COOKING SURFACE: 30"

900 CFM OPTIONAL TRANSITION TO 10" ROUND: VP562
1200 CFM OPTIONAL TRANSITION TO 12" ROUND: VP563

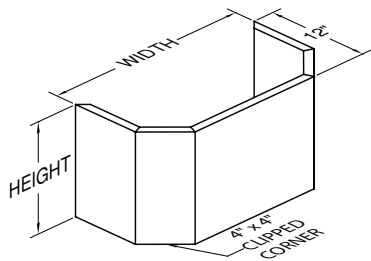


JCH/C1

Model No.	CFM	Width	Painted	Stainless	Overlay*	# Lts
JCH136/C1	300	36"	5,906	7,495	10,070	2
JCH142/C1		42"	6,396	8,056	10,989	3
JCH148/C1	600	48"	6,711	8,467	11,662	3
JCH236/C1		36"	6,572	8,224	10,737	2
JCH242/C1		42"	7,065	8,784	11,656	3
JCH248/C1	900	48"	7,374	9,195	12,327	3
JCH348/C1		48"	8,082	10,073	13,036	3
JCH354/C1		54"	9,054	11,383	14,772	4
JCH360/C1	1200	60"	9,490	12,032	15,705	4
JCH454/C1		54"	9,722	12,113	15,438	4
JCH460/C1		60"	10,156	12,765	16,371	4
JCH466/C1		66"	10,566	13,338	17,282	4

*FOR OVERLAY HOODS, SPECIFY INTERIOR COLOR.

DUCT COVERS FOR JCH/C1



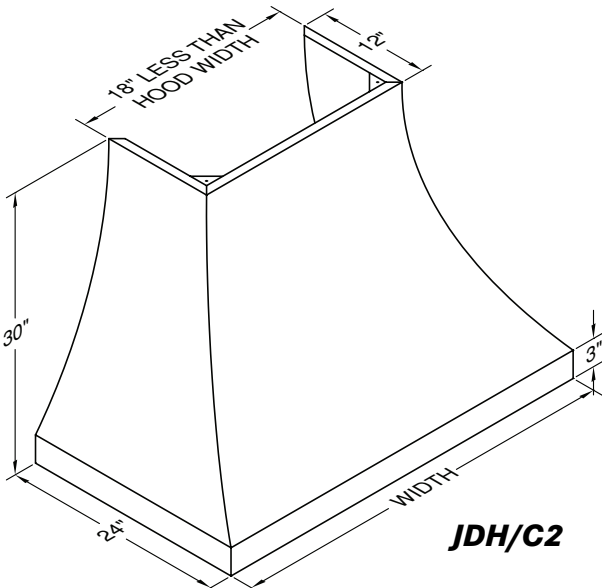
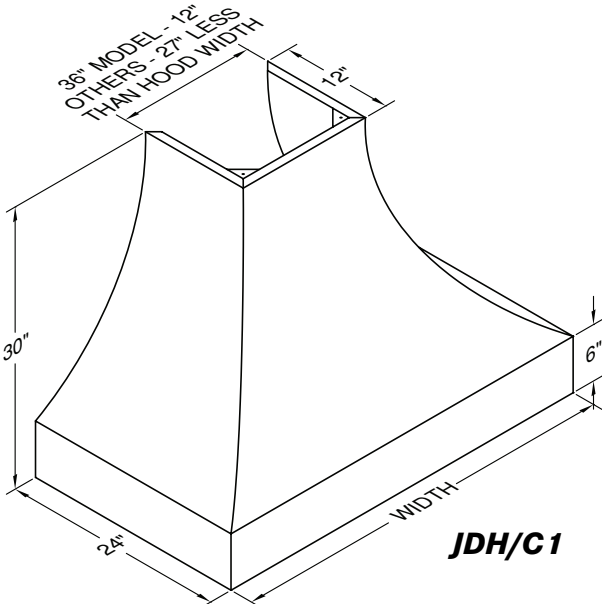
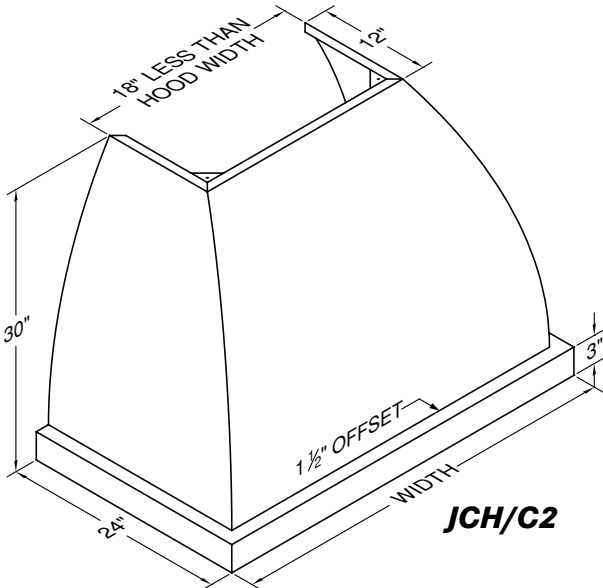
Model No.	Width	Height	Painted	Stainless	Overlay	Ceiling
WDCC4-18/12	18"	12"	1,523	1,636	1,793	9'
WDCC4-18/24		24"	1,702	1,927	2,240	10'
WDCC4-24/12	24"	12"	1,590	1,725	1,950	9'
WDCC4-24/24		24"	1,837	2,108	2,554	10'
WDCC4-30/12	30"	12"	1,636	1,818	2,108	9'
WDCC4-30/24		24"	1,950	2,309	2,867	10'
WDCC4-36/12	36"	12"	1,702	1,927	2,240	9'
WDCC4-36/24		24"	2,083	2,510	3,161	10'
WDCC4-42/12	42"	12"	1,770	2,017	2,397	9'
WDCC4-42/24		24"	2,219	2,711	3,474	10'
WDCC4-48/12	48"	12"	1,837	2,108	2,554	9'
WDCC4-48/24		24"	2,332	2,912	3,787	10'

CEILING BASED ON REC. MAXIMUM HOOD MOUNTING HEIGHT.

DESIGNER SERIES WALL MOUNT

REC. MOUNTING HEIGHT FROM
COOKING SURFACE: 30"

900 CFM JCH/C2 OPTIONAL TRANSITION TO 10" ROUND: VP562
1200 CFM JCH/C2 OPTIONAL TRANSITION TO 12" ROUND: VP563
900/1200 CFM JDH/C1 & JDH/C2 MODELS: TRANSITION INCLUDED



JCH/C2

Model No.	CFM	Width	Painted	Stainless	Overlay*	# Lts
JCH136/C2	300	36"	5,671	7,295	9,882	2
JCH142/C2		42"	6,143	7,845	10,768	3
JCH148/C2		48"	6,455	8,228	11,442	3
JCH236/C2	600	36"	6,337	8,023	10,551	2
JCH242/C2		42"	6,812	8,573	11,437	3
JCH248/C2		48"	7,120	8,959	12,108	3
JCH348/C2	900	48"	7,831	9,835	12,816	3
JCH354/C2		54"	9,012	11,173	14,766	4
JCH360/C2		60"	9,447	12,037	15,727	4
JCH454/C2	1200	54"	9,680	11,901	15,433	4
JCH460/C2		60"	10,113	12,768	16,394	4
JCH466/C2		66"	10,621	13,451	17,380	4

*FOR OVERLAY HOODS, SPECIFY INTERIOR COLOR.

JDH/C1

Model No.	CFM	Width	Painted	Stainless	Overlay*	# Lts
JDH136/C1	300	36"	5,671	7,295	9,882	2
JDH142/C1		42"	6,143	7,845	10,768	3
JDH148/C1		48"	6,455	8,228	11,442	3
JDH236/C1	600	36"	6,337	8,023	10,551	2
JDH242/C1		42"	6,812	8,573	11,437	3
JDH248/C1		48"	7,120	8,959	12,108	3
JDH348/C1	900*	48"	7,831	9,835	12,816	3
JDH354/C1		54"	9,012	11,173	14,766	4
JDH360/C1		60"	9,447	12,037	15,727	4
JDH454/C1	1200+	54"	9,680	11,901	15,433	4
JDH460/C1		60"	10,113	12,768	16,394	4
JDH466/C1		66"	10,621	13,451	17,380	4

*FOR OVERLAY HOODS, SPECIFY INTERIOR COLOR.

*VP562 TRANSITION TO 10" ROUND INCLUDED.

+VP563 TRANSITION TO 12" ROUND INCLUDED.

JDH/C2

Model No.	CFM	Width	Painted	Stainless	Overlay*	# Lts
JDH136/C2	300	36"	5,671	7,295	9,882	2
JDH142/C2		42"	6,143	7,845	10,768	3
JDH148/C2		48"	6,455	8,228	11,442	3
JDH236/C2	600	36"	6,337	8,023	10,551	2
JDH242/C2		42"	6,812	8,573	11,437	3
JDH248/C2		48"	7,120	8,959	12,108	3
JDH348/C2	900*	48"	7,831	9,835	12,816	3
JDH354/C2		54"	9,012	11,173	14,766	4
JDH360/C2		60"	9,447	12,037	15,727	4
JDH454/C2	1200+	54"	9,680	11,901	15,433	4
JDH460/C2		60"	10,113	12,768	16,394	4
JDH466/C2		66"	10,621	13,451	17,380	4

*FOR OVERLAY HOODS, SPECIFY INTERIOR COLOR.

*VP562 TRANSITION TO 10" ROUND INCLUDED.

+VP563 TRANSITION TO 12" ROUND INCLUDED.

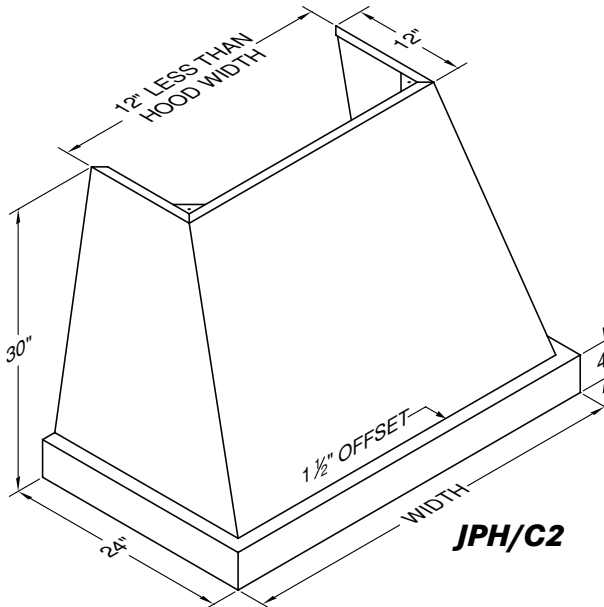
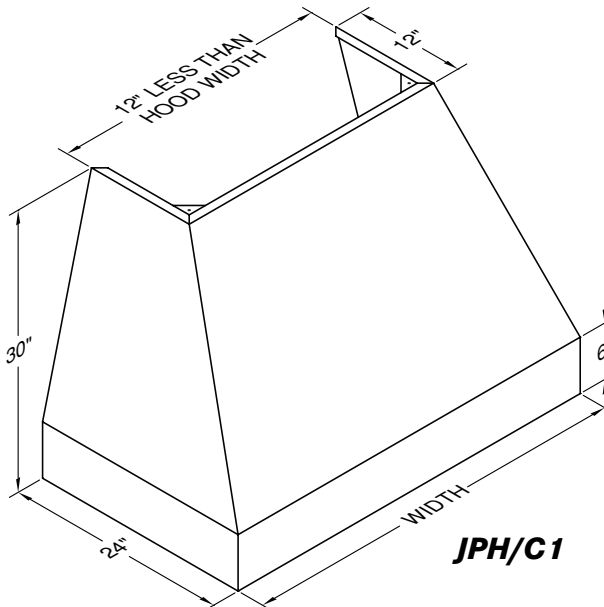
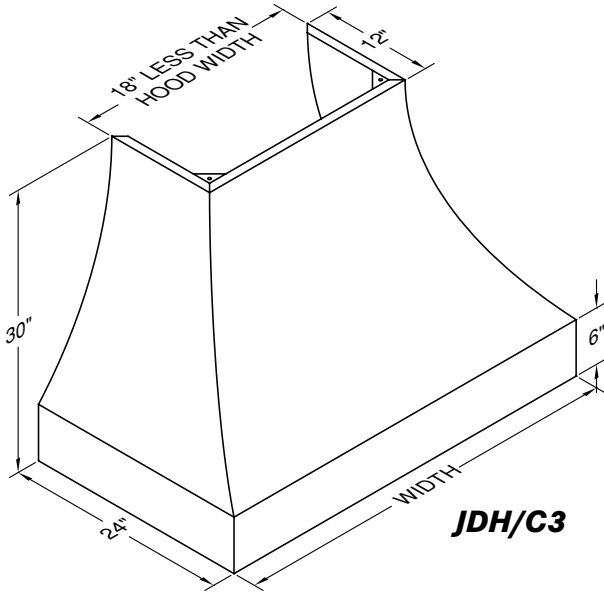
DESIGNER SERIES WALL MOUNT

REC. MOUNTING HEIGHT FROM
COOKING SURFACE: 30"

900/1200 CFM JDH/C3: TRANSITION INCLUDED

900 CFM JPH/C1 & JPH/C2 OPTIONAL TRANSITION TO 10" ROUND: VP562

1200 CFM JPH/C1 & JPH/C2 OPTIONAL TRANSITION TO 12" ROUND: VP563



JDH/C3

Model No.	CFM	Width	Painted	Stainless	Overlay*	# Lts
JDH136/C3	300	36"	5,671	7,295	9,882	2
JDH142/C3		42"	6,143	7,845	10,768	3
JDH148/C3		48"	6,455	8,228	11,442	3
JDH236/C3	600	36"	6,337	8,023	10,551	2
JDH242/C3		42"	6,812	8,573	11,437	3
JDH248/C3		48"	7,120	8,959	12,108	3
JDH348/C3	900*	48"	7,831	9,835	12,816	3
JDH354/C3		54"	9,012	11,173	14,766	4
JDH360/C3		60"	9,447	12,037	15,727	4
JDH454/C3	1200+	54"	9,680	11,901	15,433	4
JDH460/C3		60"	10,113	12,768	16,394	4
JDH466/C3		66"	10,621	13,451	17,380	4

*FOR OVERLAY HOODS, SPECIFY INTERIOR COLOR.
*VP562 TRANSITION TO 10" ROUND INCLUDED.
+VP563 TRANSITION TO 12" ROUND INCLUDED.

JPH/C1

Model No.	CFM	Width	Painted	Stainless	Overlay*	# Lts
JPH136/C1	300	36"	5,671	7,295	9,882	2
JPH142/C1		42"	6,143	7,845	10,768	3
JPH148/C1		48"	6,455	8,228	11,442	3
JPH236/C1	600	36"	6,337	8,023	10,551	2
JPH242/C1		42"	6,812	8,573	11,437	3
JPH248/C1		48"	7,120	8,959	12,108	3
JPH348/C1	900	48"	7,831	9,835	12,816	3
JPH354/C1		54"	9,012	11,173	14,766	4
JPH360/C1		60"	9,447	12,037	15,727	4
JPH454/C1	1200	54"	9,680	11,901	15,433	4
JPH460/C1		60"	10,113	12,768	16,394	4
JPH466/C1		66"	10,621	13,451	17,380	4

*FOR OVERLAY HOODS, SPECIFY INTERIOR COLOR.

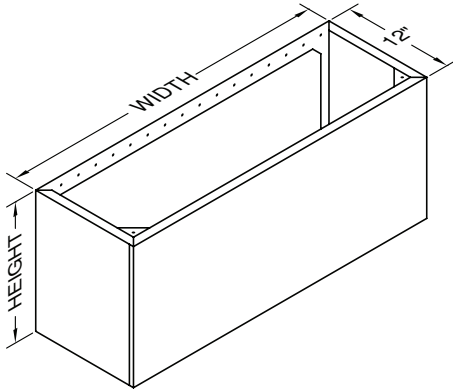
JPH/C2

Model No.	CFM	Width	Painted	Stainless	Overlay*	# Lts
JPH136/C2	300	36"	5,671	7,295	9,882	2
JPH142/C2		42"	6,143	7,845	10,768	3
JPH148/C2		48"	6,455	8,228	11,442	3
JPH236/C2	600	36"	6,337	8,023	10,551	2
JPH242/C2		42"	6,812	8,573	11,437	3
JPH248/C2		48"	7,120	8,959	12,108	3
JPH348/C2	900	48"	7,831	9,835	12,816	3
JPH354/C2		54"	9,012	11,173	14,766	4
JPH360/C2		60"	9,447	12,037	15,727	4
JPH454/C2	1200	54"	9,680	11,901	15,433	4
JPH460/C2		60"	10,113	12,768	16,394	4
JPH466/C2		66"	10,621	13,451	17,380	4

*FOR OVERLAY HOODS, SPECIFY INTERIOR COLOR.

DESIGNER SERIES WALL MOUNT

REC. MOUNTING HEIGHT FROM
COOKING SURFACE: 30"



WDCRND FOR DESIGNER SERIES HOODS

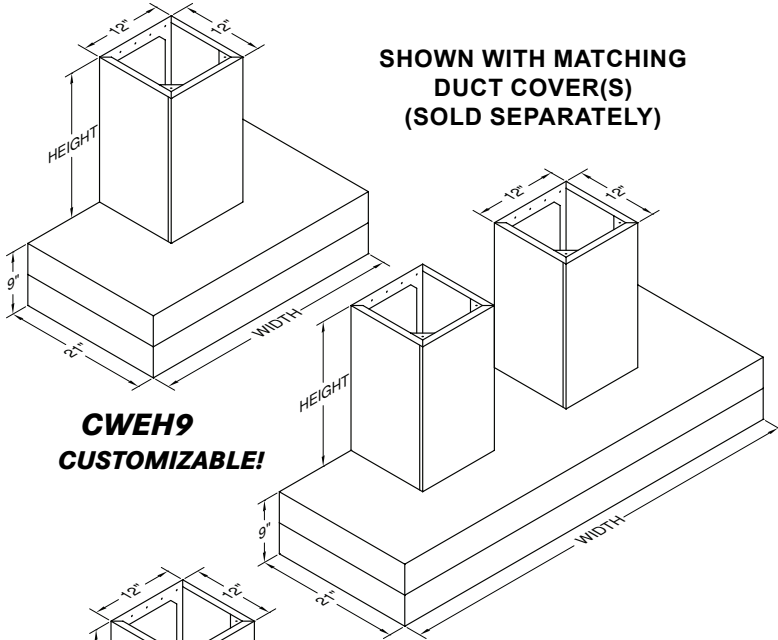
Model No.	Width	Height	Painted	Stainless	Overlay	Ceiling
WDCRND-12/12	12"	12"	792	857	969	9'
WDCRND-12/24		24"	905	1,054	1,256	10'
WDCRND-15/12	15"	12"	837	924	1,054	9'
WDCRND-15/24		24"	989	1,164	1,452	10'
WDCRND-18/12	18"	12"	879	989	1,143	9'
WDCRND-18/24		24"	1,054	1,275	1,585	10'
WDCRND-21/12	21"	12"	905	1,034	1,208	9'
WDCRND-21/24		24"	1,122	1,363	1,737	10'
WDCRND-24/12	24"	12"	945	1,079	1,298	9'
WDCRND-24/24		24"	1,188	1,473	1,889	10'
WDCRND-27/12	27"	12"	969	1,122	1,363	9'
WDCRND-27/24		24"	1,256	1,559	2,045	10'
WDCRND-30/12	30"	12"	969	1,143	1,408	9'
WDCRND-30/24		24"	1,275	1,605	2,153	10'
WDCRND-33/12	33"	12"	1,034	1,230	1,518	9'
WDCRND-33/24		24"	1,363	1,759	2,350	10'
WDCRND-36/12	36"	12"	1,034	1,230	1,559	9'
WDCRND-36/24		24"	1,383	1,802	2,441	10'
WDCRND-39/12	39"	12"	1,101	1,318	1,669	9'
WDCRND-39/24		24"	1,494	1,934	2,639	10'
WDCRND-42/12	42"	12"	1,101	1,340	1,692	9'
WDCRND-42/24		24"	1,518	2,000	2,726	10'
WDCRND-48/12	48"	12"	1,143	1,430	1,846	9'
WDCRND-48/24		24"	1,627	2,177	3,034	10'
WDCRND-54/12	54"	12"	1,208	1,518	2,000	9'
WDCRND-54/24		24"	1,802	2,419	3,386	10'
CUSTOM	WIDTH X HEIGHT X		1.00	1.50	2.00	
	PLUS		734			
FINISHED TOP	WIDTH X DEPTH X		1.00	1.50	2.00	
	PLUS		428			
SLOPED TOP •	ADD		734			

CEILING BASED ON REC. MAXIMUM MOUNTING HEIGHT FOR 30" T DESIGNER WALL MOUNT HOOD.
• SPECIFY FRONT TO BACK OR LEFT TO RIGHT DIMENSIONS.

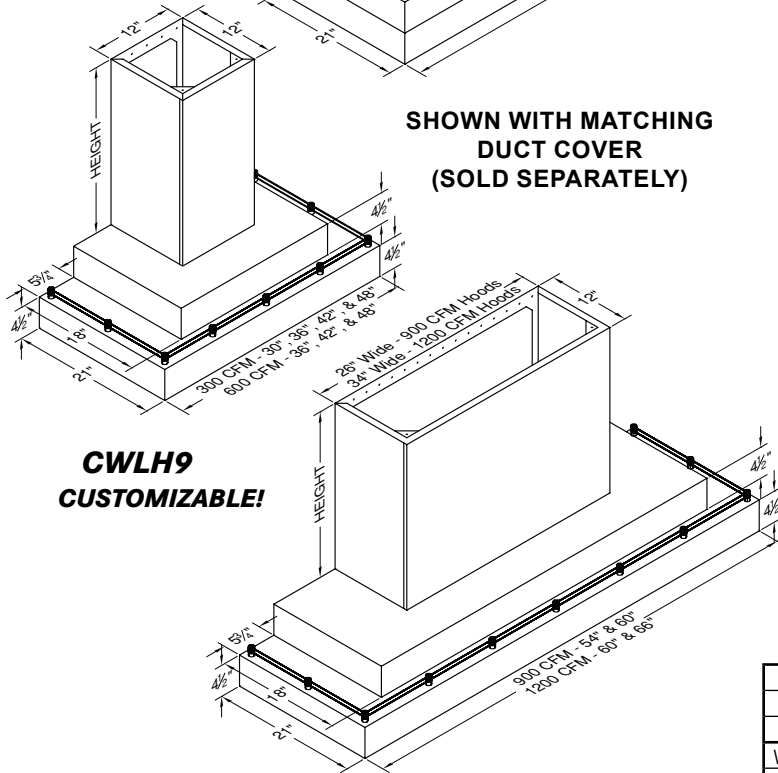
CONTEMPORARY WALL MOUNT

REC. MOUNTING HEIGHT FROM COOKING SURFACE: 27"

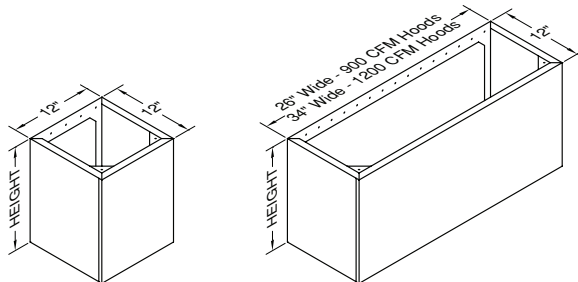
900 CFM CWLH9 OPTIONAL TRANSITION TO 10" ROUND: VP562
1200 CFM CWLH9 OPTIONAL TRANSITION TO 12" ROUND: VP563



CWEH9					
Model No.	CFM	Width	Painted	Stainless	# Lts
CWEH9-130	300	30"	3,012	4,190	2
CWEH9-136		36"	3,057	4,255	2
CWEH9-142		42"	3,437	4,616	3
CWEH9-148		48"	3,619	4,799	3
CWEH9-230	600	30"	3,675	4,915	2
CWEH9-236		36"	3,721	4,980	2
CWEH9-242		42"	4,102	5,341	3
CWEH9-248		48"	4,265	5,527	3
CWEH9-254	900	54"	5,078	6,649	4
CWEH9-342		42"	5,001	6,412	3
CWEH9-348		48"	5,594	6,575	3
CWEH9-354		54"	6,002	7,769	4
CWEH9-360	1200	60"	6,263	8,172	4
CWEH9-448		48"	6,257	7,303	3
CWEH9-454		54"	6,665	8,497	4
CWEH9-460		60"	6,924	8,900	4
CWEH9-466		66"	7,256	9,301	4



CWLH9					
Model No.	CFM	Width	Painted	Stainless	# Lts
CWLH9-130	300	30"	3,057	4,243	2
CWLH9-136		36"	3,082	4,266	2
CWLH9-142		42"	3,546	4,754	3
CWLH9-148		48"	3,712	4,946	3
CWLH9-236	600	36"	3,771	5,022	2
CWLH9-242		42"	4,235	5,508	3
CWLH9-248		48"	4,400	5,699	3
CWLH9-354	900	54"	6,218	8,042	4
CWLH9-360		60"	6,507	8,452	4
CWLH9-460	1200	60"	7,194	9,205	4
CWLH9-466		66"	7,385	9,472	4



WDCRND FOR CWEH9/CWLH9					
Model No.	Width	Height	Painted	Stainless	Ceiling
WDCRND-12/12	12"	12"	792	857	7'
WDCRND-12/24		24"	905	1,054	8'
WDCRND-12/36		36"	1,034	1,230	9'
WSDCRND-26/12	26"	12"	1,018	1,163	7'
WSDCRND-26/24		24"	1,279	1,608	8'
WSDCRND-26/36		36"	1,565	2,035	9'
WDCRND-34/12	34"	12"	1,012	1,208	7'
WDCRND-34/24		24"	1,363	1,737	8'
WDCRND-34/36		36"	1,692	2,285	9'
CUSTOM	WIDTH X HEIGHT X PLUS		1.00	1.50	
			734		
FINISHED TOP	WIDTH X DEPTH X PLUS		1.00	1.50	
			428		
SLOPED TOP •	ADD		734		

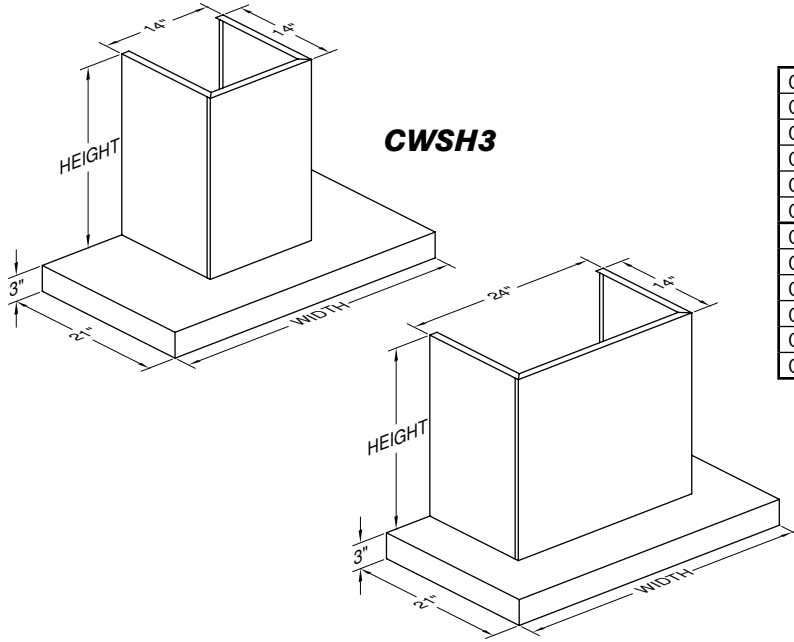
26" AND 34" DUCT COVERS FOR USE ON MATCHING CWLH9 MODELS. CEILING BASED ON REC. MAXIMUM HOOD MOUNTING HEIGHT. • SPECIFY FRONT TO BACK OR LEFT TO RIGHT DIMENSIONS.

CWEH9/CWLH9 VARIATIONS

WIDTHS OVER 66"		SPECIAL WIDTH (LESS THAN 66")	
FOR EACH 6" INCREMENT PLUS	PAINTED 332	STAINLESS 477	USE NEXT LARGEST SIZE ON PRICE LIST, PLUS 428
	428		REMOVE GALLEY RAIL (CWLH9 ONLY) TO REMOVE RAIL, NO CHARGE

CONTEMPORARY WALL MOUNT

REC. MOUNTING HEIGHT FROM
COOKING SURFACE: 24"

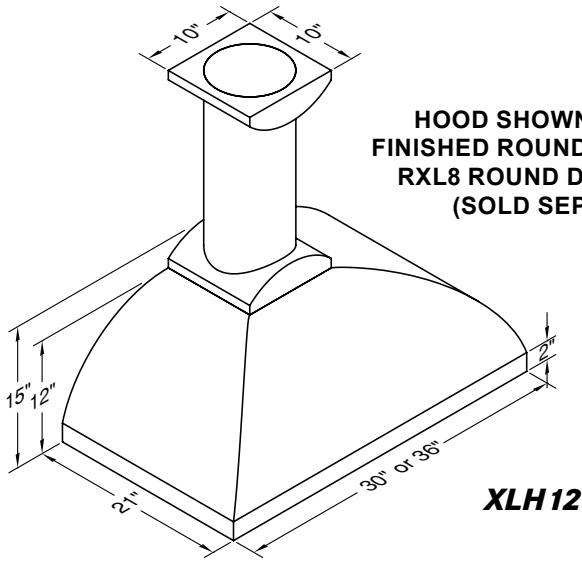


CWSH3

Model No.	CFM	Width	Stainless	# Lts	Ceiling
CWSH3-1/030-21	300	30"	5,252	2	7'
CWSH3-1/030-33		30"	5,468	2	8'
CWSH3-1/036-21		36"	5,252	2	7'
CWSH3-1/036-33		36"	5,468	2	8'
CWSH3-1/042-21		42"	5,664	3	7'
CWSH3-1/042-33		42"	5,878	3	8'
CWSH3-2/030-21	600	30"	7,042	2	7'
CWSH3-2/030-33		30"	7,427	2	8'
CWSH3-2/036-21		36"	7,042	2	7'
CWSH3-2/036-33		36"	7,427	2	8'
CWSH3-2/042-21		42"	7,447	3	7'
CWSH3-2/042-33		42"	7,837	3	8'

CONTEMPORARY WALL MOUNT

REC. MOUNTING HEIGHT FROM
COOKING SURFACE: 24"



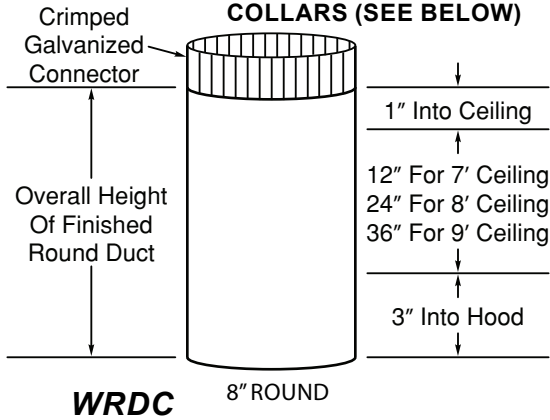
HOOD SHOWN WITH WRDC
FINISHED ROUND DUCT AND TWO
RXL8 ROUND DUCT COLLARS
(SOLD SEPARATELY)

XLH12

XLH12

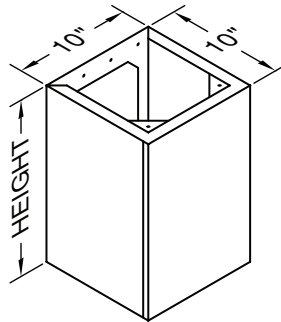
Model No.	CFM	Width	Stainless	# Lts
BRASS LIP				
XLH12-230B	600	30"	4,249	2
XLH12-236B		36"	4,300	2
COPPER LIP				
XLH12-230C	600	30"	4,249	2
XLH12-236C		36"	4,300	2
MIRROR STAINLESS STEEL LIP				
XLH12-230M	600	30"	4,249	2
XLH12-236M		36"	4,300	2
STAINLESS STEEL LIP				
XLH12-230S	600	30"	4,249	2
XLH12-236S		36"	4,300	2

FINISHED ROUND DUCT
REQUIRES TWO DUCT
COLLARS (SEE BELOW)



WRDC

8" ROUND

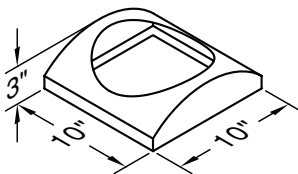


WDCRND

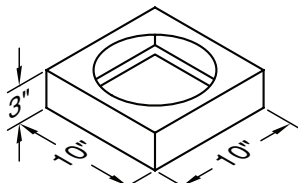
DUCT COVERS FOR XLH12

Model No.	Width	Height	Stainless	Ceiling
WDCRND-10/12	10"	12"	814	7'
WDCRND-10/24		24"	969	8'
WDCRND-10/36	10"	36"	1,122	9'
WRDC-8/16	8"	16"	592	7'
WRDC-8/28		28"	734	8'
WRDC-8/40		40"	852	9'
CUSTOM	WIDTH X HEIGHT X		1.50	
	PLUS		734	
FINISHED TOP	WIDTH X DEPTH X		1.50	
	PLUS		428	
SLOPED TOP •	ADD		734	

WRDC EXTENDS 3" INTO TOP OF HOOD AND 1" INTO CEILING.
CEILING BASED ON REC. MAXIMUM HOOD MOUNTING HEIGHT.
• SPECIFY FRONT TO BACK OR LEFT TO RIGHT DIMENSIONS.



RXL8



SXL8

WRDC COLLARS

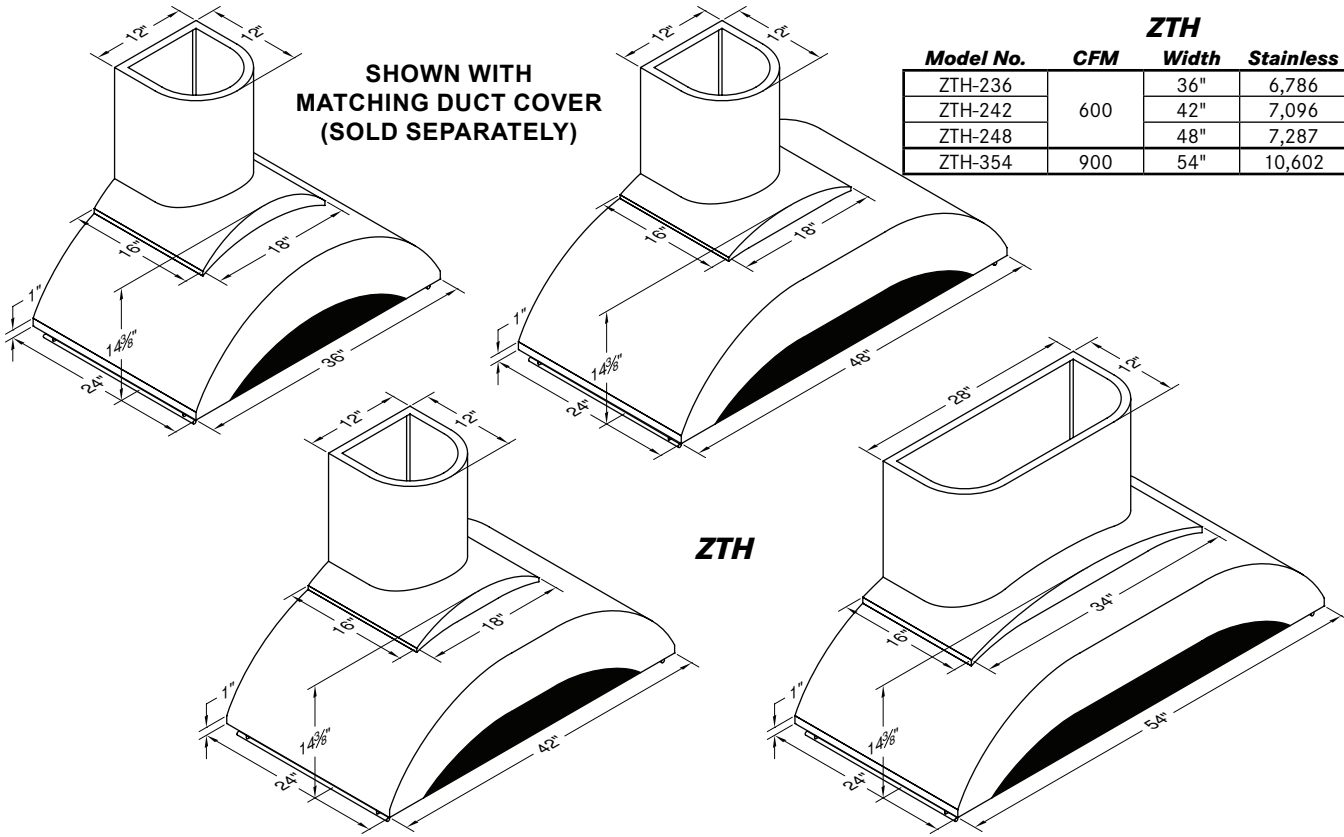
Model No.	Width	Height	Stainless
RXL8	10"	3"	425
SXL8	10"	3"	262

CONTEMPORARY WALL MOUNT

REC. MOUNTING HEIGHT FROM
COOKING SURFACE: 30"

900 CFM OPTIONAL TRANSITION TO 10" ROUND: VP562

SHOWN WITH
MATCHING DUCT COVER
(SOLD SEPARATELY)

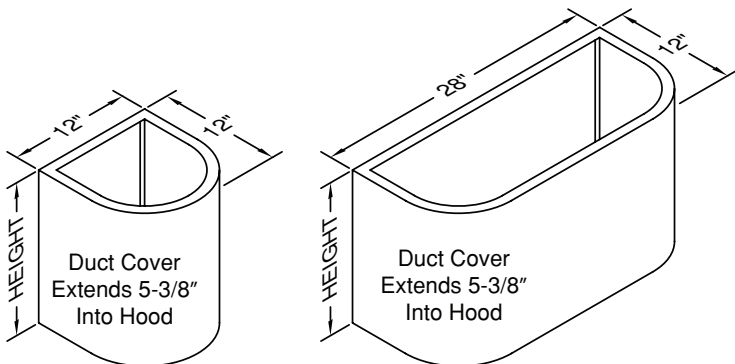


ZTH

Model No.	CFM	Width	Stainless	# Lts
ZTH-236	600	36"	6,786	4
ZTH-242		42"	7,096	4
ZTH-248		48"	7,287	4
ZTH-354	900	54"	10,602	4

ZTH VARIATIONS

REMOVE FIXED LENGTH SS RAIL	
ADD	428



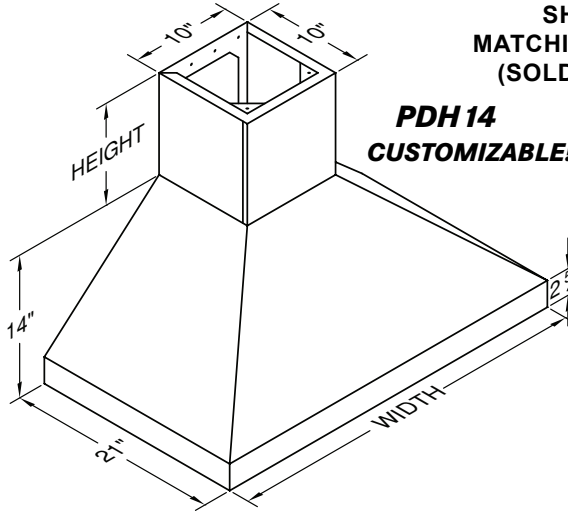
DUCT COVERS FOR ZTH

Model No.	Width	Height	Stainless	Ceiling
WZDC-12/9	12"	9"	852	7'
WZDC-12/21		21"	1,043	8'
WZDC-12/33		33"	1,256	9'
WZDC-28/9	28"	9"	1,043	7'
WZDC-28/21		21"	1,518	8'
WZDC-28/33		33"	1,965	9'
CUSTOM	WIDTH X HEIGHT X		1.50	
	PLUS		734	

CEILING BASED ON REC. MAXIMUM HOOD MOUNTING HEIGHT.

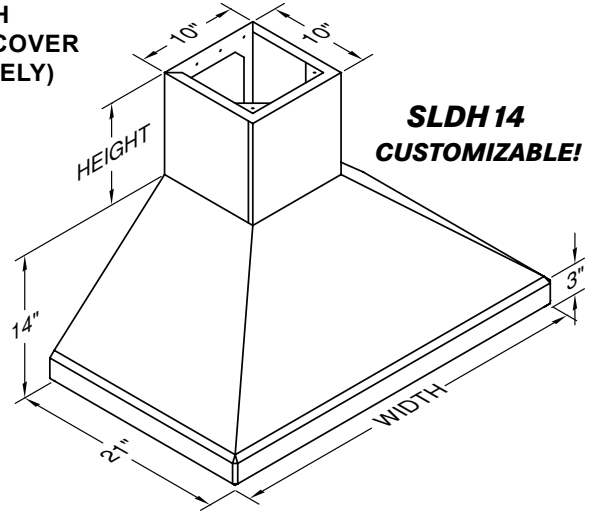
EURO-STYLE WALL MOUNT

REC. MOUNTING HEIGHT FROM
COOKING SURFACE: 24"



**PDH 14
CUSTOMIZABLE!**

SHOWN WITH
MATCHING DUCT COVER
(SOLD SEPARATELY)



**SLDH 14
CUSTOMIZABLE!**

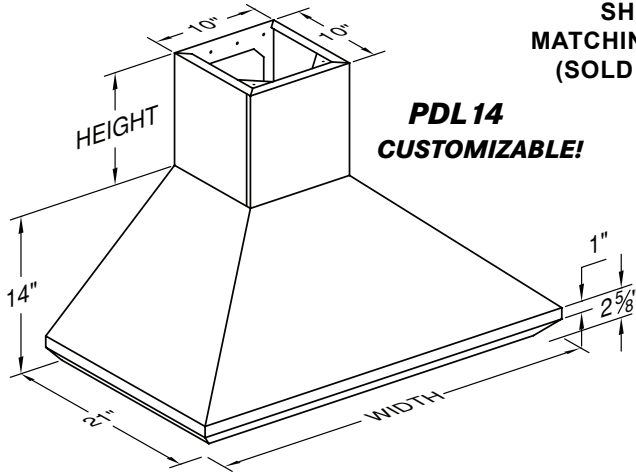
PDH 14

Model No.	CFM	Width	Painted	Stainless	Overlay*	# Lts
PDH 14-130	300	30"	2,841	3,932	5,820	2
PDH 14-136		36"	2,905	3,999	6,067	2
PDH 14-142		42"	3,231	4,325	6,660	3
PDH 14-148	600	48"	3,364	4,481	6,997	3
PDH 14-236		36"	3,566	4,723	6,727	2
PDH 14-242		42"	3,892	5,047	7,322	3
PDH 14-248		48"	4,024	5,206	7,657	3

SLDH 14

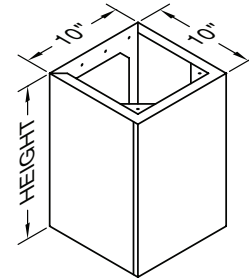
Model No.	CFM	Width	Painted	Stainless	# Lts
SLDH 14-130	300	30"	3,577	4,698	2
SLDH 14-136		36"	3,647	4,766	2
SLDH 14-142		42"	4,092	5,258	3
SLDH 14-148	600	48"	4,252	5,445	3
SLDH 14-236		36"	4,308	5,491	2
SLDH 14-242		42"	4,752	5,986	3
SLDH 14-248		48"	4,912	6,168	3

*FOR OVERLAY MODELS, SPECIFY INTERIOR COLOR.



**PDL 14
CUSTOMIZABLE!**

SHOWN WITH
MATCHING DUCT COVER
(SOLD SEPARATELY)



PDL 14

Model No.	CFM	Width	Painted	Stainless	Overlay*	# Lts
PDL 14-130	300	30"	2,841	3,932	5,820	2
PDL 14-136		36"	2,905	3,999	6,067	2
PDL 14-142		42"	3,231	4,325	6,660	3
PDL 14-148	600	48"	3,364	4,481	6,997	3
PDL 14-236		36"	3,566	4,723	6,727	2
PDL 14-242		42"	3,892	5,047	7,322	3
PDL 14-248		48"	4,024	5,206	7,657	3

*FOR OVERLAY MODELS, SPECIFY INTERIOR COLOR.

14" T EURO-STYLE WALL MOUNT DUCT COVERS

Model No.	Width	Height	Painted	Stainless	Overlay	Ceiling
WDCRND-10/10	10"	10"	748	814	879	7'
WDCRND-10/22		22"	857	969	1,122	8'
WDCRND-10/34		34"	969	1,122	1,363	9'
CUSTOM	WIDTH X HEIGHT X	PLUS	1.00	1.50	2.00	
	734					
FINISHED TOP	WIDTH X DEPTH X	PLUS	1.00	1.50	2.00	
	428					
SLOPED TOP*	ADD			734		

CEILING BASED ON REC. MAXIMUM HOOD MOUNTING HEIGHT.
*SPECIFY FRONT TO BACK OR LEFT TO RIGHT DIMENSIONS.

14" TALL WALL EURO-STYLE MOUNT HOOD VARIATIONS

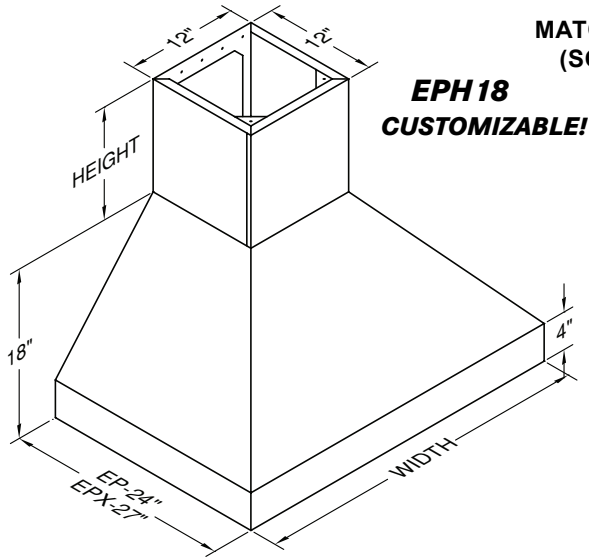
SPECIAL WIDTH (LESS THAN 48") USE NEXT LARGEST SIZE ON PRICE LIST, PLUS				428
	DEPTH OVER 21"	PAINTED	STAINLESS	OVERLAY
WIDTH X EXTRA DEPTH X PLUS	2	3	4	734
STAINLESS STEEL INTERIOR ON OVERLAY HOOD SUBTRACT PAINTED HOOD PRICE FROM STAINLESS HOOD PRICE				
CUSTOM COLOR (SEE CUSTOM COLOR CHART) ADD				1340
TRIM OPTIONS SEE PAGES 56-57 FOR FINISH AND TRIM OPTIONS				

EURO-STYLE WALL MOUNT

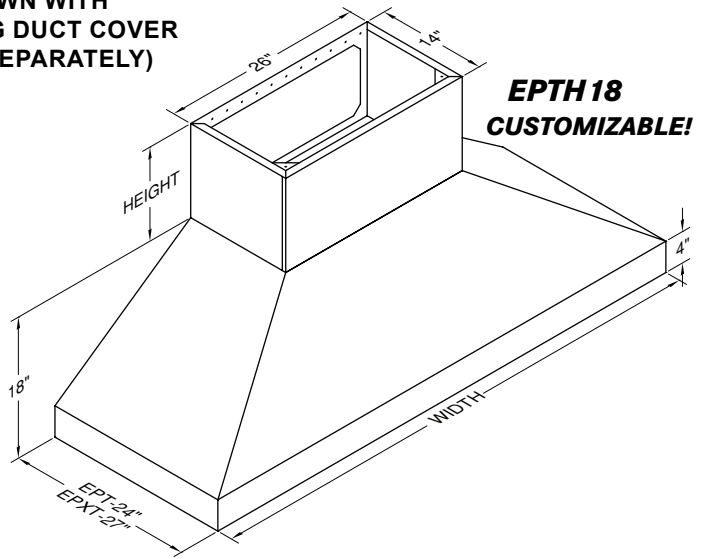
REC. MOUNTING HEIGHT FROM
COOKING SURFACE: 30"

900 CFM EPTH18 & NEPTH18 MODELS: VP562 TRANSITION INCLUDED
1200 CFM EPTH18 & NEPTH18 MODELS: VP563 TRANSITION INCLUDED

SHOWN WITH
MATCHING DUCT COVER
(SOLD SEPARATELY)



EPH18
CUSTOMIZABLE!



EPTH18
CUSTOMIZABLE!

EPH18/EPXH18

Model No.	CFM	Width	Painted	Stainless	Overlay*	# Lts
EPH18-236	600	36"	4,376	5,535	7,699	2
EPH18-242		42"	4,681	5,854	8,224	3
EPH18-248		48"	4,980	6,194	8,877	3

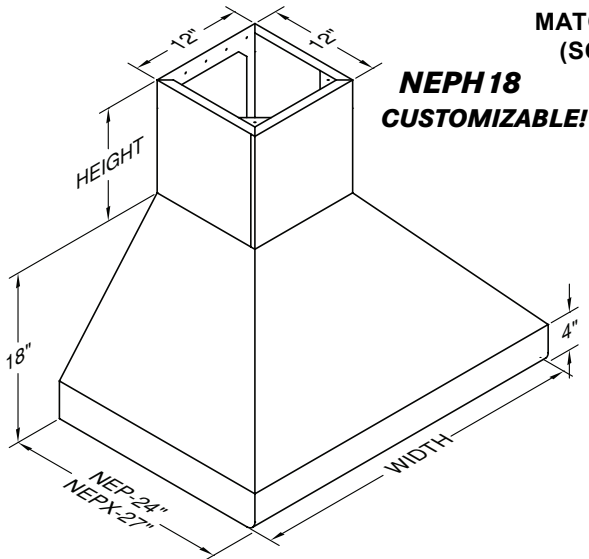
USE EPXH18 MODEL NUMBER PREFIX FOR 27" DEPTH PROJECTION.
• FOR OVERLAY MODELS, SPECIFY INTERIOR COLOR.

EPTH18/EPXTH18

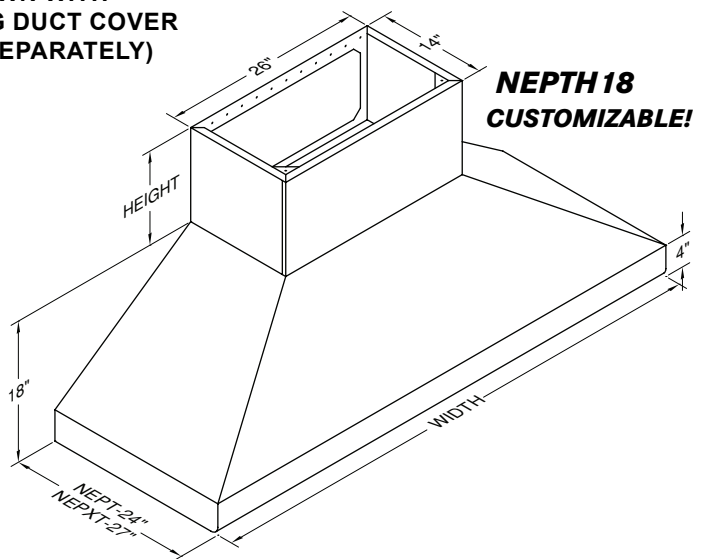
Model No.	CFM	Width	Painted	Stainless	Overlay*	# Lts	Incl.
EPTH18-342	900	42"	6,738	8,048	10,472	3	VP562
EPTH18-348		48"	6,902	8,213	10,822	3	VP562
EPTH18-354		54"	7,565	9,419	11,911	4	VP562
EPTH18-360		60"	7,867	9,843	12,476	4	VP562
EPTH18-366		66"	8,146	10,287	13,038	4	VP562
EPTH18-454	1200	54"	8,224	10,141	12,574	4	VP563
EPTH18-460		60"	8,529	10,565	13,136	4	VP563
EPTH18-466		66"	8,807	11,010	13,698	4	VP563

USE EPXTH18 MODEL NUMBER PREFIX FOR 27" DEPTH PROJECTION.
• FOR OVERLAY MODELS, SPECIFY INTERIOR COLOR.

SHOWN WITH
MATCHING DUCT COVER
(SOLD SEPARATELY)



NEPH18
CUSTOMIZABLE!



NEPTH18
CUSTOMIZABLE!

NEPH18/NEPXH18

Model No.	CFM	Width	Painted	Stainless	Overlay*	# Lts
NEPH18-236	600	36"	5,216	6,323	7,770	2
NEPH18-242		42"	5,406	6,701	9,506	3
NEPH18-248		48"	5,732	6,968	9,627	3

USE NEPXH18 MODEL NUMBER PREFIX FOR 27" DEPTH PROJECTION.
• FOR OVERLAY MODELS, SPECIFY INTERIOR COLOR.

NEPTH18/NEPXTH18

Model No.	CFM	Width	Painted	Stainless	Overlay*	# Lts	Incl.
NEPTH18-342	900	42"	7,483	9,048	11,380	3	VP562
NEPTH18-348		48"	7,655	9,220	11,743	3	VP562
NEPTH18-354		54"	8,345	10,279	12,880	4	VP562
NEPTH18-360		60"	8,638	10,720	13,466	4	VP562
NEPTH18-366		66"	8,956	11,162	14,055	4	VP562
NEPTH18-454	1200	54"	9,034	11,034	13,567	4	VP563
NEPTH18-460		60"	9,326	11,475	14,154	4	VP563
NEPTH18-466		66"	9,643	11,917	14,741	4	VP563

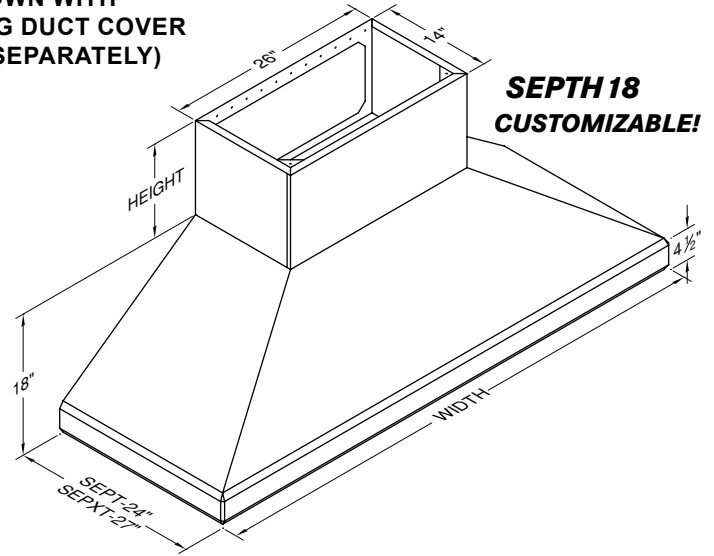
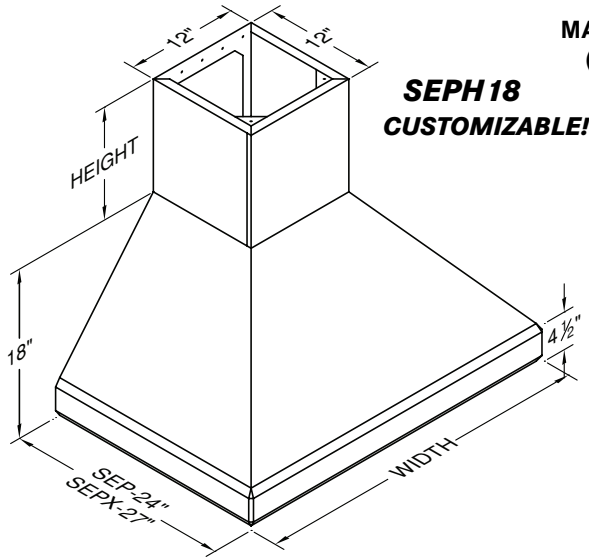
USE NEPXTH18 MODEL NUMBER PREFIX FOR 27" DEPTH PROJECTION.
• FOR OVERLAY MODELS, SPECIFY INTERIOR COLOR.

EURO-STYLE WALL MOUNT

REC. MOUNTING HEIGHT FROM
COOKING SURFACE: 30"

900 CFM SEPTH18 MODELS: VP562 TRANSITION INCLUDED
1200 CFM SEPTH18 MODELS: VP563 TRANSITION INCLUDED

SHOWN WITH
MATCHING DUCT COVER
(SOLD SEPARATELY)



SEPH18/SEPHX18

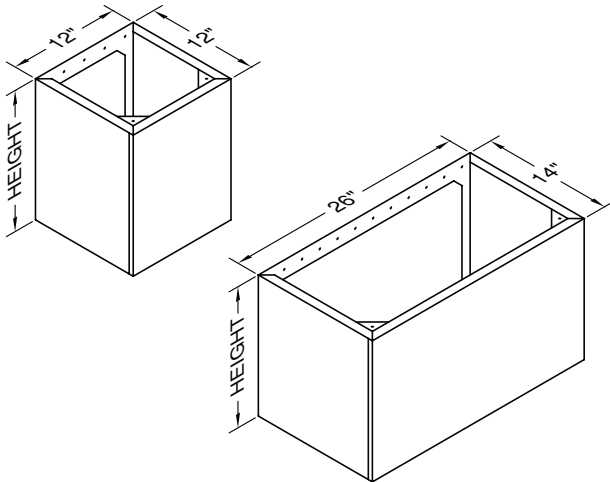
Model No.	CFM	Width	Painted	Stainless	# Lts
SEPH18-236	600	36"	5,207	6,193	2
SEPH18-242		42"	5,535	6,521	3
SEPH18-248		48"	5,696	6,677	3

USE SEPHX18 MODEL NUMBER PREFIX FOR 27" DEPTH PROJECTION.

SEPTH18/SEPTX18

Model No.	CFM	Width	Painted	Stainless	# Lts	Incl.
SEPTH18-342	900	42"	7,573	9,486	3	VP562
SEPTH18-348		48"	8,214	9,677	3	VP562
SEPTH18-354		54"	8,838	10,681	4	VP562
SEPTH18-360		60"	9,147	11,107	4	VP562
SEPTH18-366		66"	9,431	11,560	4	VP562
SEPTH18-454		1200	54"	9,500	11,405	4
SEPTH18-460	60"		9,807	11,830	4	VP563
SEPTH18-466	66"		10,093	12,282	4	VP563

USE SEPTX18 MODEL NUMBER PREFIX FOR 27" DEPTH PROJECTION.



18" TALL EURO-STYLE WALL MOUNT DUCT COVERS

Model No.	Width	Height	Painted	Stainless	Overlay	Ceiling
WDCRND-12/12	12"	12"	792	857	969	8'
WDCRND-12/24		24"	905	1,054	1,256	9'
WDCRND-12/36		36"	1,034	1,230	1,559	10'
WDCRND-26/12	26"	12"	924	1,079	1,318	8'
WDCRND-26/24		24"	1,188	1,494	1,955	9'
WDCRND-26/36		36"	1,452	1,889	2,596	10'
CUSTOM	WIDTH X HEIGHT X	1.00	1.50	2.00		
	PLUS			734		
FINISHED TOP	WIDTH X DEPTH X	1.00	1.50	2.00		
	PLUS			428		
SLOPED TOP •	ADD			734		

CEILING BASED ON REC. MAXIMUM HOOD MOUNTING HEIGHT.

• SPECIFY FRONT TO BACK OR LEFT TO RIGHT DIMENSIONS.

18" TALL WALL EURO-STYLE MOUNT HOOD VARIATIONS

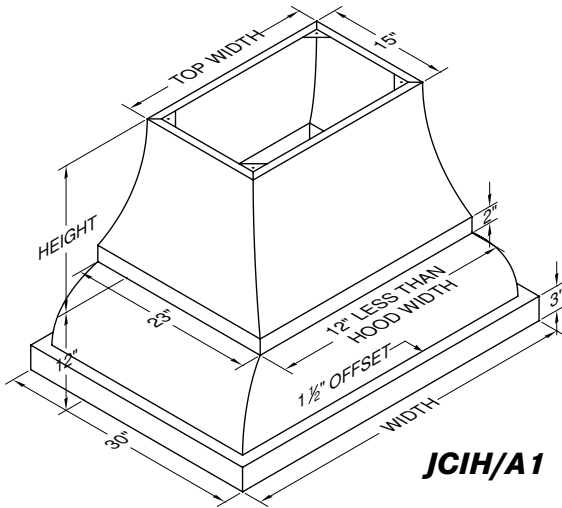
WIDTHS OVER 48"/66"	PAINTED	STAINLESS	OVERLAY	SPECIAL WIDTH (LESS THAN 48"/66")
FOR EACH 6" INCREMENT	332	477	592	USE NEXT LARGEST SIZE ON PRICE LIST,
PLUS		428		PLUS 428
DEPTH OVER 24" (EXCLUDING 27")	PAINTED	STAINLESS	OVERLAY	STAINLESS STEEL INTERIOR ON OVERLAY HOOD
WIDTH X EXTRA DEPTH X	2	3	4	SUBTRACT PAINTED HOOD PRICE FROM STAINLESS HOOD PRICE
PLUS		734		CUSTOM COLOR (SEE CUSTOM COLOR CHART)
				ADD 1340
				TRIM OPTIONS
				SEE PAGES 56-57 FOR FINISH AND TRIM OPTIONS

DESIGNER SERIES ISLAND

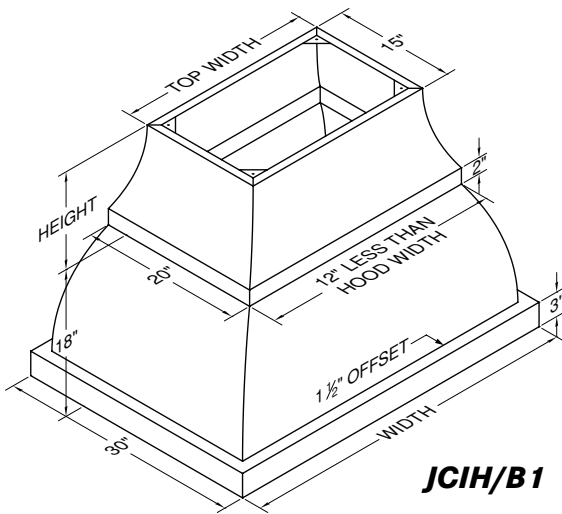
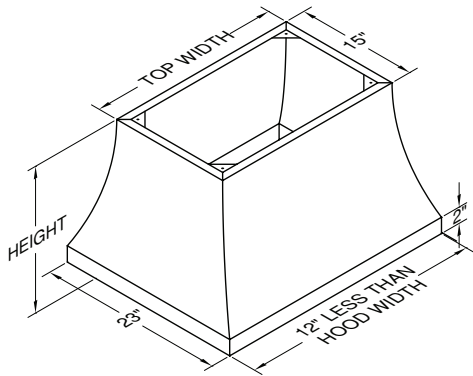
REC. MOUNTING HEIGHT FROM
COOKING SURFACE: 30"

MODELS SHOWN WITH
MATCHING DUCT COVER
(SOLD SEPARATELY)

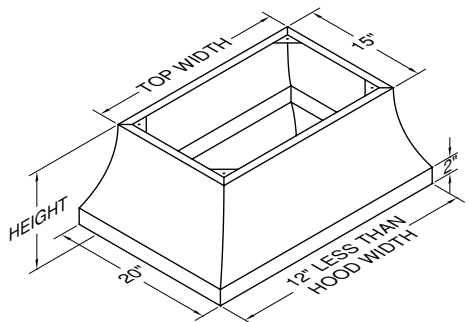
550 CFM MODELS: VP565 TRANSITION INCLUDED
1100 CFM MODELS: VP564 TRANSITION INCLUDED



JCIH/A1



JCIH/B1



JCIH/A1

Model No.	CFM	Width	Top W.	Painted	Stainless	Overlay*	# Lts
JCIH236/A1	550*	36"	24"	6,767	8,795	12,508	4
JCIH242/A1		42"	30"	6,996	9,220	12,982	4
JCIH248/A1		48"	36"	7,194	9,380	13,333	4
JCIH254/A1		54"	42"	7,801	10,164	14,482	4
JCIH448/A1	1100+	48"	36"	8,658	11,251	14,795	4
JCIH454/A1		54"	42"	9,264	12,037	15,944	4
JCIH460/A1		60"	48"	10,222	13,331	19,389	4
JCIH466/A1		66"	54"	10,552	13,761	20,040	4

*FOR OVERLAY HOODS, SPECIFY INTERIOR COLOR.
*VP565 TRANSITION TO 8" ROUND INCLUDED.
+VP564 TRANSITION TO 12" ROUND INCLUDED.

DUCT COVERS FOR JCIH/A1

Model No.	Width	Top W.	Height	Painted	Stainless	Overlay*	Ceiling
ICDC-24/15/18	24"	18"	18"	2,981	3,136	3,560	8'
		15"	30"	3,296	3,560	4,277	9'
		15"	42"	3,606	3,988	4,996	10'
ICDC-30/15/18	30"	24"	18"	3,093	3,316	3,832	8'
		18"	30"	3,495	3,832	4,729	9'
		18"	42"	3,897	4,369	5,622	10'
ICDC-36/15/18	36"	30"	18"	3,228	3,474	4,099	8'
		24"	30"	3,695	4,099	5,176	9'
		18"	42"	4,167	4,749	6,227	10'
ICDC-42/15/18	42"	36"	18"	3,338	3,628	4,369	8'
		30"	30"	3,897	4,369	5,622	9'
		24"	42"	4,434	5,108	6,856	10'
ICDC-48/15/18	48"	42"	18"	3,451	3,787	4,637	8'
		36"	30"	4,077	4,637	6,049	9'
		30"	42"	4,729	5,490	7,480	10'
ICDC-54/15/18	54"	48"	18"	3,560	3,943	4,904	8'
		42"	30"	4,277	4,904	6,497	9'
		36"	42"	4,996	5,868	8,087	10'

*TRIM REQUIRED ON MODELS EXCEEDING 35" WIDTH AND 30" HEIGHT.
CEILING BASED ON REC. MAXIMUM HOOD MOUNTING HEIGHT.

JCIH/B1

Model No.	CFM	Width	Top W.	Painted	Stainless	Overlay*	# Lts
JCIH236/B1	550*	36"	24"	6,767	8,795	12,508	4
JCIH242/B1		42"	30"	6,996	9,220	12,982	4
JCIH248/B1		48"	36"	7,194	9,380	13,333	4
JCIH254/B1		54"	42"	7,801	10,164	14,482	4
JCIH448/B1	1100+	48"	36"	8,658	11,251	14,795	4
JCIH454/B1		54"	42"	9,264	12,037	15,944	4
JCIH460/B1		60"	48"	10,222	13,331	19,389	4
JCIH466/B1		66"	54"	10,552	13,761	20,040	4

*FOR OVERLAY HOODS, SPECIFY INTERIOR COLOR.
*VP565 TRANSITION TO 8" ROUND INCLUDED.
+VP564 TRANSITION TO 12" ROUND INCLUDED.

DUCT COVERS FOR JCIH/B1

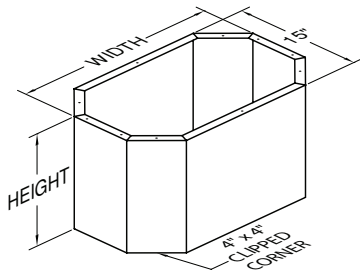
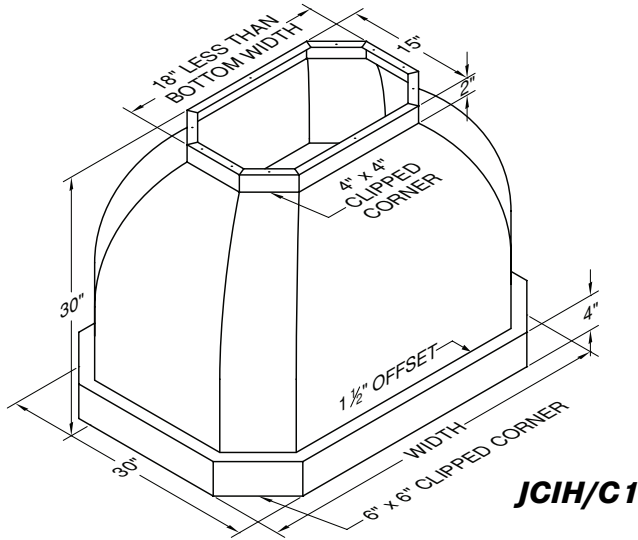
Model No.	Width	Top W.	Height	Painted	Stainless	Overlay*	Ceiling
ICDC-24/15/12	24"	18"	12"	2,981	3,136	3,560	8'
		18"	24"	3,296	3,560	4,277	9'
		15"	36"	3,606	3,988	4,996	10'
ICDC-30/15/12	30"	24"	12"	3,093	3,316	3,832	8'
		18"	24"	3,495	3,832	4,729	9'
		18"	36"	3,897	4,369	5,622	10'
ICDC-36/15/12	36"	30"	12"	3,228	3,474	4,099	8'
		24"	24"	3,695	4,099	5,176	9'
		18"	36"	4,167	4,749	6,227	10'
ICDC-42/15/12	42"	36"	12"	3,338	3,628	4,369	8'
		30"	24"	3,897	4,369	5,622	9'
		24"	36"	4,434	5,108	6,856	10'
ICDC-48/15/12	48"	42"	12"	3,451	3,787	4,637	8'
		36"	24"	4,077	4,637	6,049	9'
		30"	36"	4,729	5,490	7,480	10'
ICDC-54/15/12	54"	48"	12"	3,560	3,943	4,904	8'
		42"	24"	4,277	4,904	6,497	9'
		36"	36"	4,996	5,868	8,087	10'

*TRIM REQUIRED ON MODELS EXCEEDING 35" WIDTH AND 30" HEIGHT.
CEILING BASED ON REC. MAXIMUM HOOD MOUNTING HEIGHT.

DESIGNER SERIES ISLAND

REC. MOUNTING HEIGHT FROM
COOKING SURFACE: 30"

550 CFM MODELS: VP565 TRANSITION INCLUDED
1100 CFM MODELS: VP564 TRANSITION INCLUDED



JCIH/C1

Model No.	CFM	Width	Painted	Stainless	Overlay*	# Lts
JCIH236/C1	550*	36"	9,323	11,799	15,486	4
JCIH242/C1		42"	9,725	12,384	16,262	4
JCIH248/C1		48"	10,052	12,862	16,388	4
JCIH254/C1		54"	10,757	13,850	18,290	4
JCIH448/C1	1100+	48"	11,513	14,735	17,852	4
JCIH454/C1		54"	12,220	15,722	19,752	4
JCIH460/C1		60"	13,126	17,015	23,056	4
JCIH466/C1		66"	13,606	17,674	23,981	4

*FOR OVERLAY HOODS, SPECIFY INTERIOR COLOR.
*VP565 TRANSITION TO 8" ROUND INCLUDED.
+VP564 TRANSITION TO 12" ROUND INCLUDED.

DUCT COVERS FOR JCIH/C1

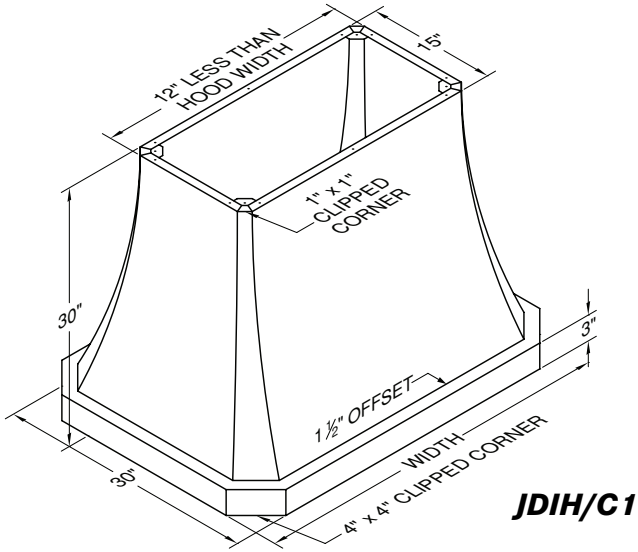
Model No.	Width	Height	Painted	Stainless	Overlay	Ceiling
IDCC4-18/12	18"	12"	2,240	2,332	2,531	9'
IDCC4-18/24		24"	2,487	2,645	3,068	10'
IDCC4-24/12	24"	12"	2,332	2,419	2,711	9'
IDCC4-24/24		24"	2,645	2,846	3,426	10'
IDCC4-30/12	30"	12"	2,397	2,531	2,891	9'
IDCC4-30/24		24"	2,801	3,068	3,787	10'
IDCC4-36/12	36"	12"	2,487	2,645	3,068	9'
IDCC4-36/24		24"	2,959	3,270	4,125	10'
IDCC4-42/12	42"	12"	2,554	2,757	3,248	9'
IDCC4-42/24		24"	3,116	3,495	4,481	10'
IDCC4-48/12	48"	12"	2,645	2,846	3,426	9'
IDCC4-48/24		24"	3,270	3,695	4,839	10'

CEILING BASED ON REC. MAXIMUM HOOD MOUNTING HEIGHT.

DESIGNER SERIES ISLAND

REC. MOUNTING HEIGHT FROM
COOKING SURFACE: 30"

550 CFM MODELS: VP565 TRANSITION INCLUDED
1100 CFM MODELS: VP564 TRANSITION INCLUDED

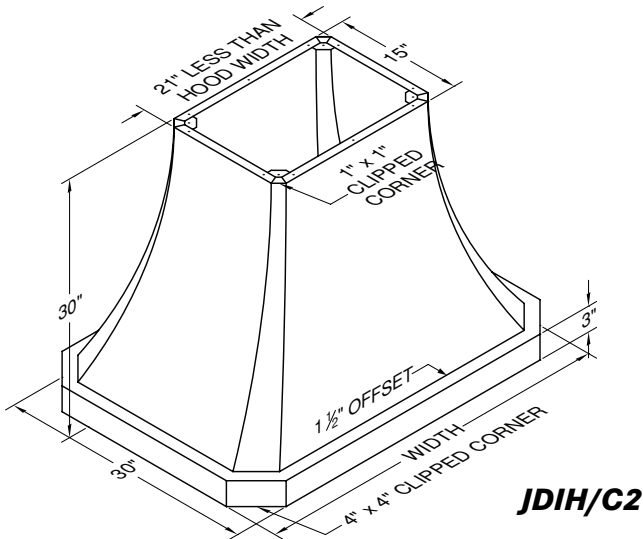


JDIH/C1

JDIH/C1

Model No.	CFM	Width	Painted	Stainless	Overlay*	# Lts
JDIH236/C1	550*	36"	9,323	11,799	15,486	4
JDIH242/C1		42"	9,725	12,384	16,262	4
JDIH248/C1		48"	10,052	12,862	16,388	4
JDIH254/C1		54"	10,757	13,850	18,290	4
JDIH448/C1	1100+	48"	11,513	14,735	17,852	4
JDIH454/C1		54"	12,220	15,722	19,752	4
JDIH460/C1		60"	13,126	17,015	23,056	4
JDIH466/C1		66"	13,606	17,674	23,981	4

*FOR OVERLAY HOODS, SPECIFY INTERIOR COLOR.
*VP565 TRANSITION TO 8" ROUND INCLUDED.
+VP564 TRANSITION TO 12" ROUND INCLUDED.

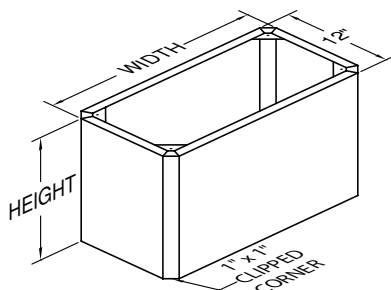


JDIH/C2

JDIH/C2

Model No.	CFM	Width	Painted	Stainless	Overlay*	# Lts
JDIH236/C2	550*	36"	9,323	11,799	15,486	4
JDIH242/C2		42"	9,725	12,384	16,262	4
JDIH248/C2		48"	10,052	12,862	16,388	4
JDIH254/C2		54"	10,757	13,850	18,290	4
JDIH448/C2	1100+	48"	11,513	14,735	17,852	4
JDIH454/C2		54"	12,220	15,722	19,752	4
JDIH460/C2		60"	13,126	17,015	23,056	4
JDIH466/C2		66"	13,606	17,674	23,981	4

*FOR OVERLAY HOODS, SPECIFY INTERIOR COLOR.
*VP565 TRANSITION TO 8" ROUND INCLUDED.
+VP564 TRANSITION TO 12" ROUND INCLUDED.



DUCT COVERS FOR JDIH/C1 & JDIH/C2

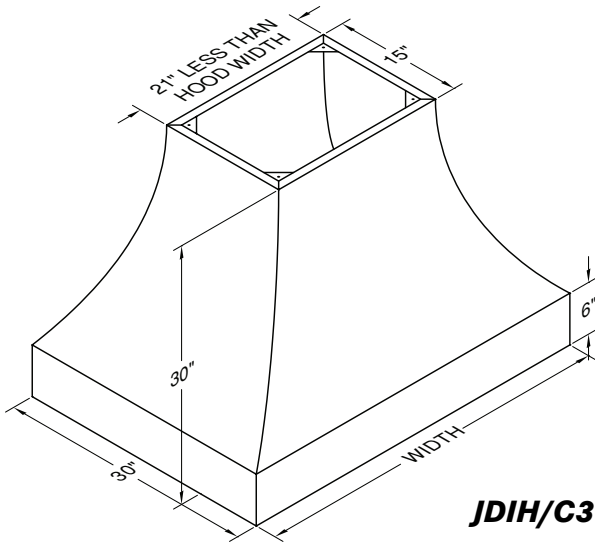
Model No.	Width	Height	Painted	Stainless	Overlay	Ceiling
IDCC1-15/12	15"	12"	2,195	2,262	2,444	9'
IDCC1-15/24		24"	2,397	2,531	2,891	10'
IDCC1-21/12	21"	12"	2,287	2,375	2,622	9'
IDCC1-21/24		24"	2,554	2,757	3,248	10'
IDCC1-24/12	24"	12"	2,332	2,419	2,711	9'
IDCC1-24/24		24"	2,645	2,846	3,426	10'
IDCC1-27/12	27"	12"	2,352	2,487	2,801	9'
IDCC1-27/24		24"	2,711	2,959	3,606	10'
IDCC1-30/12	30"	12"	2,397	2,531	2,891	9'
IDCC1-30/24		24"	2,801	3,068	3,787	10'
IDCC1-33/12	33"	12"	2,444	2,577	2,981	9'
IDCC1-33/24		24"	2,867	3,183	3,943	10'
IDCC1-36/12	36"	12"	2,487	2,645	3,068	9'
IDCC1-36/24		24"	2,959	3,270	4,125	10'
IDCC1-39/12	39"	12"	2,510	2,690	3,161	9'
IDCC1-39/24		24"	3,026	3,383	4,302	10'
IDCC1-42/12	42"	12"	2,554	2,757	3,248	9'
IDCC1-42/24		24"	3,116	3,495	4,481	10'
IDCC1-45/12	45"	12"	2,597	2,801	3,338	9'
IDCC1-45/24		24"	3,183	3,606	4,662	10'
IDCC1-48/12	48"	12"	2,645	2,846	3,426	9'
IDCC1-48/24		24"	3,270	3,695	4,839	10'
IDCC1-54/12	54"	12"	2,711	2,959	3,606	9'
IDCC1-54/24		24"	3,426	3,920	5,198	10'

*TRIM REQUIRED ON MODELS EXCEEDING 35" WIDTH AND 30" HEIGHT.
CEILING BASED ON REC. MAXIMUM HOOD MOUNTING HEIGHT.

DESIGNER SERIES ISLAND

REC. MOUNTING HEIGHT FROM
COOKING SURFACE: 30"

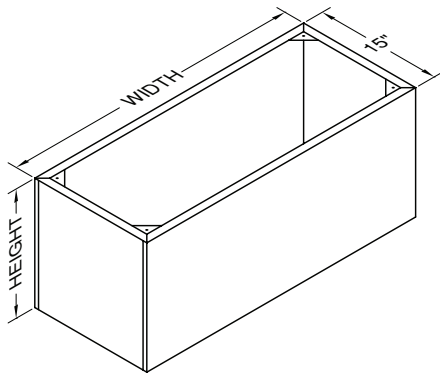
550 CFM MODELS: VP565 TRANSITION INCLUDED
1100 CFM MODELS: VP564 TRANSITION INCLUDED



JDIH/C3

Model No.	CFM	Width	Painted	Stainless	Overlay*	# Lts
JDIH236/C3	550*	36"	9,323	11,799	15,486	4
JDIH242/C3		42"	9,725	12,384	16,262	4
JDIH248/C3		48"	10,052	12,862	16,388	4
JDIH254/C3		54"	10,757	13,850	18,290	4
JDIH448/C3	1100+	48"	11,513	14,735	17,852	4
JDIH454/C3		54"	12,220	15,722	19,752	4
JDIH460/C3		60"	13,126	17,015	23,056	4
JDIH466/C3		66"	13,606	17,674	23,981	4

*FOR OVERLAY HOODS, SPECIFY INTERIOR COLOR.
*VP565 TRANSITION TO 8" ROUND INCLUDED.
*VP564 TRANSITION TO 12" ROUND INCLUDED.



IDCRND FOR JDIH/C3

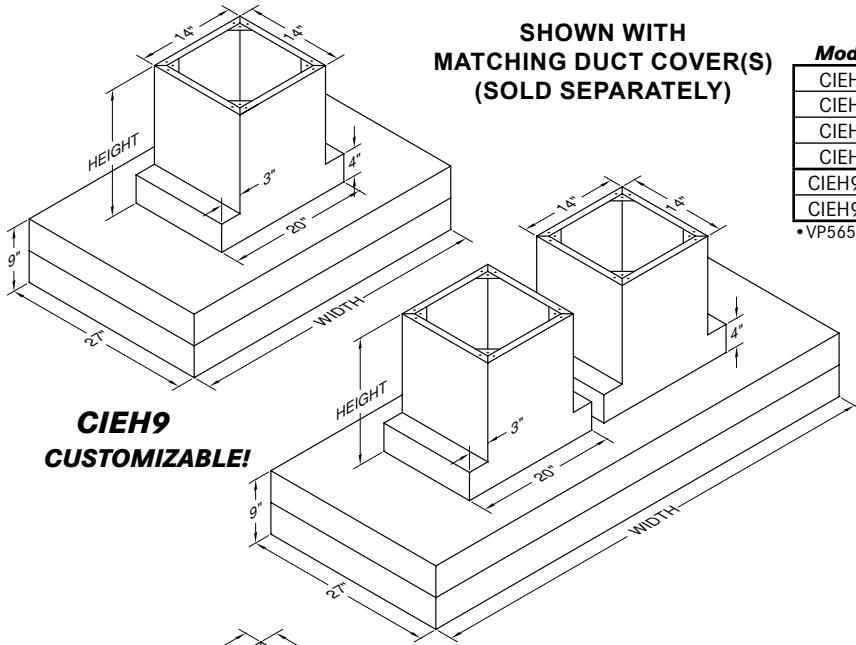
Model No.	Width	Height	Painted	Stainless	Overlay	Ceiling	
IDCRND-15/12	15"	12"	874	942	1,121	8'	
IDCRND-15/24		24"	1,076	1,211	1,568	9'	
IDCRND-21/12	21"	12"	972	1,070	1,313	9'	
IDCRND-21/24		24"	1,248	1,442	1,936	10'	
IDCRND-27/12	27"	12"	1,048	1,175	1,495	9'	
IDCRND-27/24		24"	1,407	1,658	2,291	10'	
IDCRND-33/12	33"	12"	1,129	1,284	1,672	9'	
IDCRND-33/24		24"	1,565	1,872	2,647	10'	
IDCRND-39/12	39"	12"	1,209	1,389	1,846	9'	
IDCRND-39/24		24"	1,723	2,087	2,999	10'	
IDCRND-45/12	45"	12"	1,289	1,498	2,024	9'	
IDCRND-45/24		24"	1,882	2,301	3,353	10'	
CUSTOM	WIDTH X HEIGHT X		1.00	2.00	3.00		
	PLUS					734	
SLOPED TOP*	ADD					734	

CEILING BASED ON REC. MAXIMUM HOOD MOUNTING HEIGHT.
*SPECIFY FRONT TO BACK OR LEFT TO RIGHT DIMENSIONS.

CONTEMPORARY ISLAND

REC. MOUNTING HEIGHT FROM
COOKING SURFACE: 30"

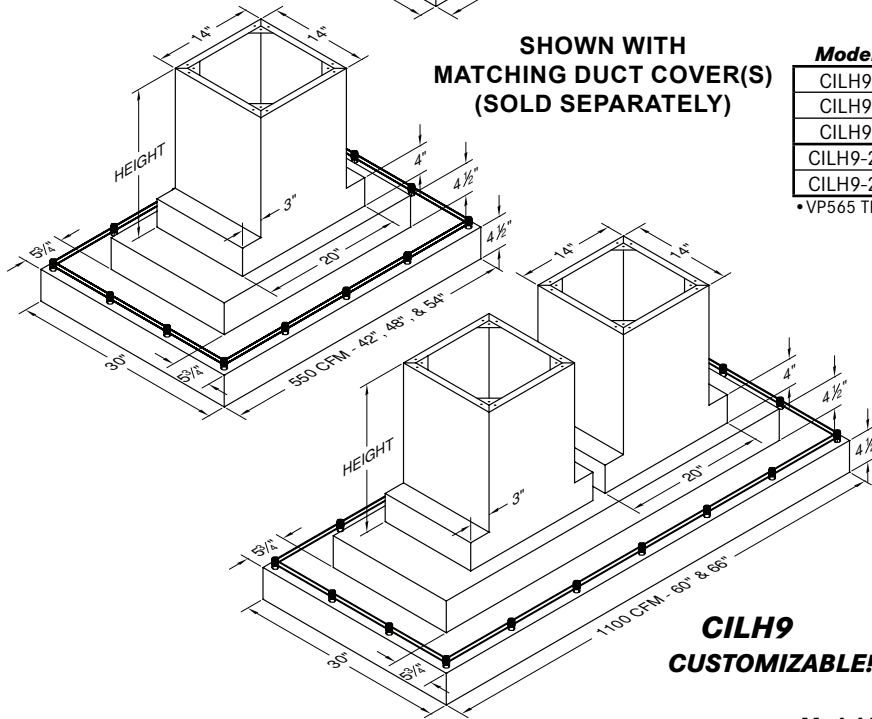
550 CFM MODELS: VP565 TRANSITION INCLUDED
1100 CFM MODELS: TWO VP565 TRANSITIONS INCLUDED



CIEH9

Model No.	CFM	Width	Painted	Stainless	# Lts
CIEH9-236	550	36"	6,201	7,862	4
CIEH9-242		42"	6,249	8,149	4
CIEH9-248		48"	6,584	8,606	4
CIEH9-254		54"	7,132	9,306	4
CIEH9-2+260	1100	60"	9,549	12,415	6
CIEH9-2+266		66"	9,841	12,830	6

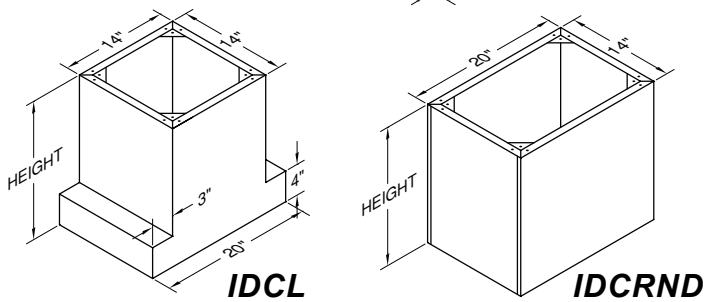
•VP565 TRANSITION TO 8" ROUND INCLUDED WITH EACH DUAL BLOWER.



CILH9

Model No.	CFM	Width	Painted	Stainless	# Lts
CILH9-242	550	42"	6,249	8,149	4
CILH9-248		48"	6,584	8,606	4
CILH9-254		54"	7,132	9,326	4
CILH9-2+260	1100	60"	9,768	12,415	6
CILH9-2+266		66"	9,841	12,830	6

•VP565 TRANSITION TO 8" ROUND INCLUDED WITH EACH DUAL BLOWER.



CILH9 CUSTOMIZABLE!

IDCL/IDCRND FOR CIEH9/CILH9

Model No.	Width	Height	Painted	Stainless	Ceiling
IDCL-14/20/9	20"	9"	874	942	7'
IDCL-14/20/21		21"	1,144	1,299	8'
IDCL-14/20/33		33"	1,411	1,636	9'
IDCRND-14/20/9	20"	9"	874	942	7'
IDCRND-14/20/21		21"	1,144	1,299	8'
IDCRND-14/20/33		33"	1,411	1,636	9'
IDCRND-14/20/45		45"	1,658	1,813	10'
CUSTOM	WIDTH X HEIGHT X		1.00	2.00	
	PLUS			734	
SLOPED TOP •	ADD			734	

CEILING BASED ON REC. MAXIMUM HOOD MOUNTING HEIGHT.

•SPECIFY FRONT TO BACK OR LEFT TO RIGHT DIMENSIONS.

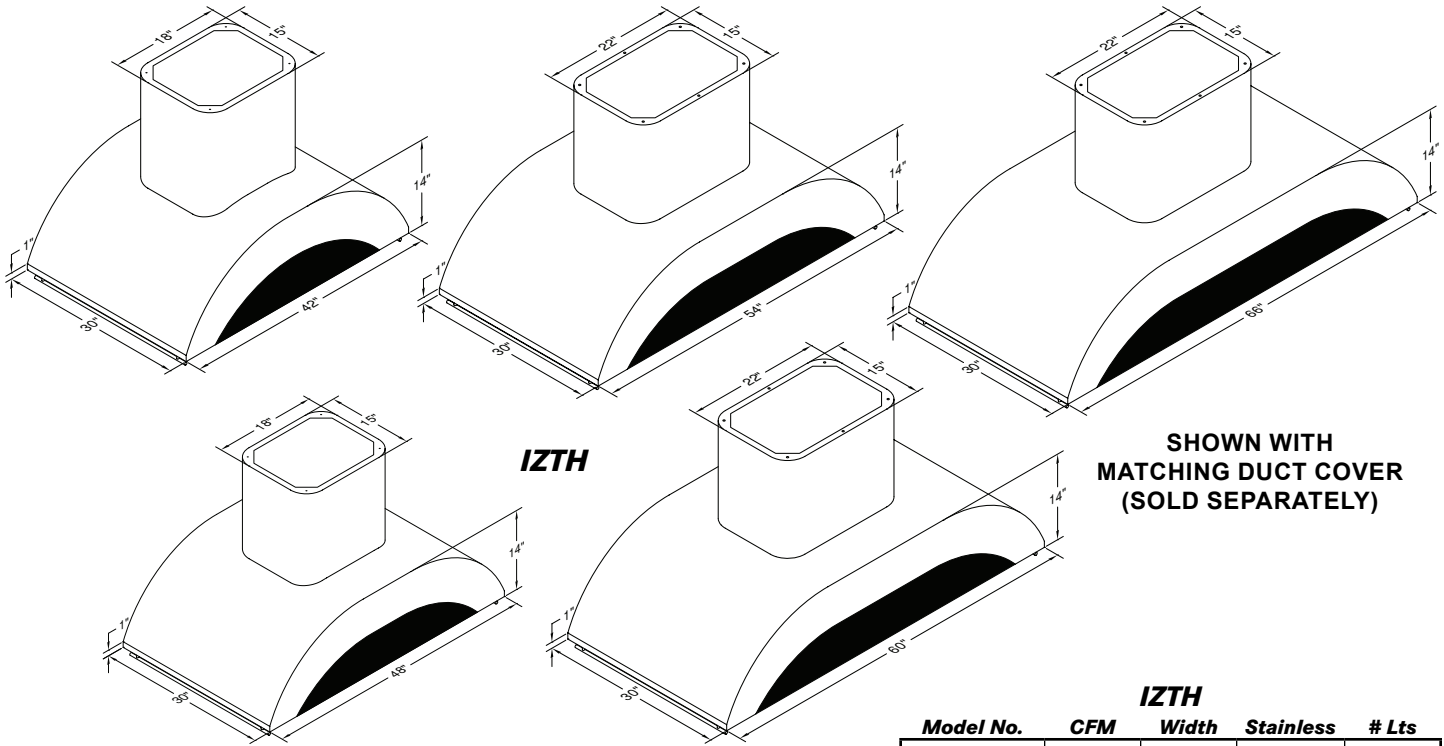
CIEH9/CILH9 VARIATIONS

WIDTHS OVER 66"	PAINTED	STAINLESS	SPECIAL WIDTH (LESS THAN 66")
FOR EACH 6" INCREMENT PLUS	379	497	USE NEXT LARGEST SIZE ON PRICE LIST, PLUS 428
	428		REMOVE GALLEY RAIL (CILH9 ONLY) TO REMOVE RAIL, NO CHARGE

CONTEMPORARY ISLAND

REC. MOUNTING HEIGHT FROM
COOKING SURFACE: 30"

550 CFM MODELS: VP565 TRANSITION INCLUDED
1100 CFM MODELS: VP564 TRANSITION INCLUDED



SHOWN WITH
MATCHING DUCT COVER
(SOLD SEPARATELY)

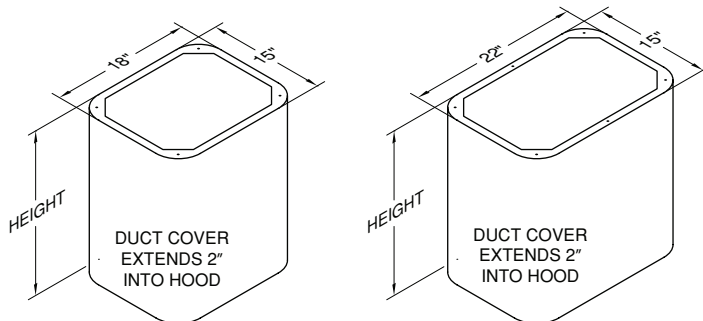
IZTH

IZTH

Model No.	CFM	Width	Stainless	# Lts
IZTH-242	550*	42"	9,835	4
IZTH-248		48"	10,048	4
IZTH-454	1100+	54"	13,047	4
IZTH-460		60"	14,050	4
IZTH-466		66"	14,535	4

*VP565 TRANSITION TO 8" ROUND INCLUDED.
+VP564 TRANSITION TO 12" ROUND INCLUDED.

IZTH VARIATIONS	
REMOVE FIXED LENGTH SS RAIL	
ADD	734



DUCT COVERS FOR IZTH

Model No.	Width	Height	Stainless	Ceiling
IZDC-18/6	18"	6"	852	7'
IZDC-18/18		18"	1,164	8'
IZDC-18/30		30"	1,480	9'
IZDC-22/6	22"	6"	874	7'
IZDC-22/18		18"	1,253	8'
IZDC-22/30		30"	1,636	9'
CUSTOM	WIDTH X HEIGHT X PLUS		2.00 734	

CEILING BASED ON REC. MAXIMUM HOOD MOUNTING HEIGHT.

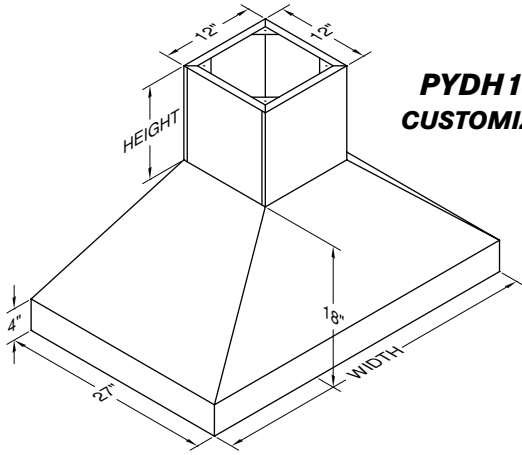
NOTE: DUCT COVER WILL HAVE A
VISIBLE SEAM ON ONE SIDE.

EURO-STYLE ISLAND

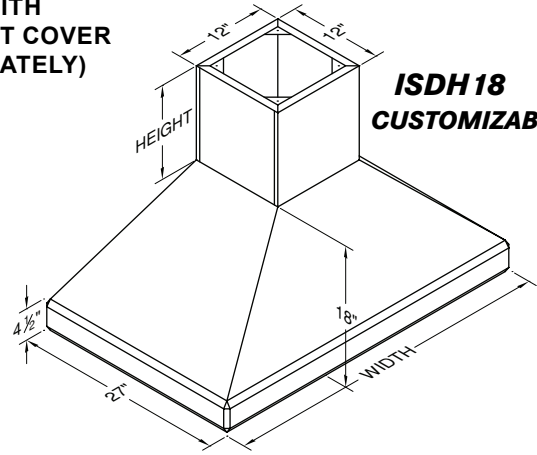
REC. MOUNTING HEIGHT FROM
COOKING SURFACE: 30"

550 CFM MODELS: VP565 TRANSITION INCLUDED

SHOWN WITH
MATCHING DUCT COVER
(SOLD SEPARATELY)



PYDH 18
CUSTOMIZABLE!



ISDH 18
CUSTOMIZABLE!

PYDH 18

Model No.	CFM	Width	Painted	Stainless	Overlay*	# Lts
PYDH18-236	550	36"	6,033	7,862	11,484	4
PYDH18-242		42"	6,249	8,149	11,912	4
PYDH18-248		48"	6,584	8,606	12,248	4

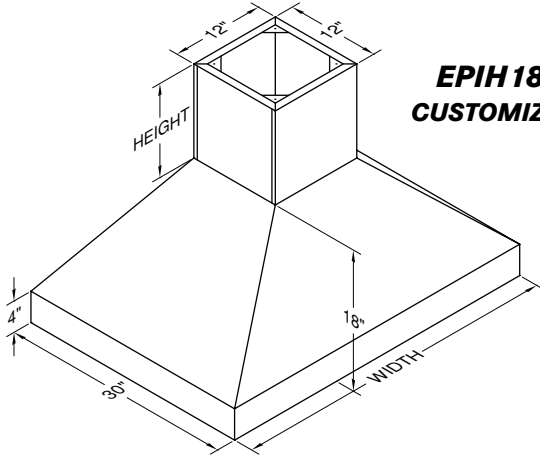
*FOR OVERLAY MODELS, SPECIFY INTERIOR COLOR.
VP565 TRANSITION TO 8" ROUND INCLUDED.

ISDH 18

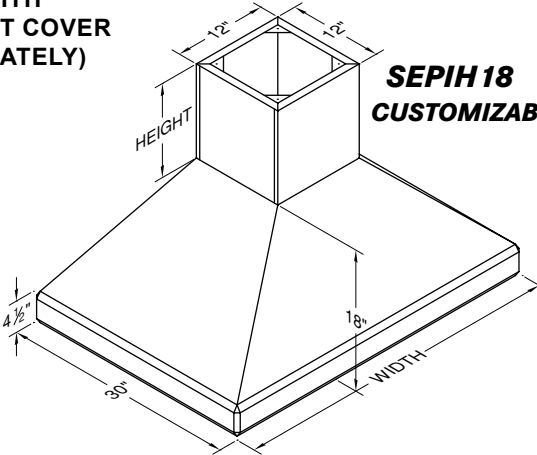
Model No.	CFM	Width	Painted	Stainless	# Lts
ISDH18-236	550	36"	6,966	8,846	4
ISDH18-242		42"	7,180	9,133	4
ISDH18-248		48"	7,348	9,351	4

VP565 TRANSITION TO 8" ROUND INCLUDED.

SHOWN WITH
MATCHING DUCT COVER
(SOLD SEPARATELY)



EPIH 18
CUSTOMIZABLE!



SEPIH 18
CUSTOMIZABLE!

EPIH 18

Model No.	CFM	Width	Painted	Stainless	Overlay*	# Lts
EPIH18-236	550	36"	6,201	7,862	11,484	4
EPIH18-242		42"	6,415	8,149	11,912	4
EPIH18-248		48"	6,584	8,606	12,248	4

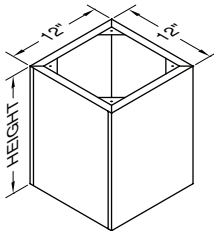
*FOR OVERLAY MODELS, SPECIFY INTERIOR COLOR.
VP565 TRANSITION TO 8" ROUND INCLUDED.

SEPIH 18

Model No.	CFM	Width	Painted	Stainless	# Lts
SEPIH18-236	550	36"	6,966	8,328	4
SEPIH18-242		42"	7,180	8,606	4
SEPIH18-248		48"	7,348	9,087	4

VP565 TRANSITION TO 8" ROUND INCLUDED.

550 CFM EURO-STYLE ISLAND DUCT COVERS



Model No.	Width	Height	Painted	Stainless	Overlay	Ceiling
IDCRND-12/12	12"	12"	852	897	1,032	8'
IDCRND-12/24		24"	1,009	1,101	1,389	9'
IDCRND-12/36		36"	1,164	1,323	1,725	10'
CUSTOM	WIDTH X HEIGHT X		1.00	2.00	3.00	
	PLUS					734
SLOPED TOP*	ADD					734

CEILING BASED ON REC. MAXIMUM HOOD MOUNTING HEIGHT.
*SPECIFY FRONT TO BACK OR LEFT TO RIGHT DIMENSIONS.

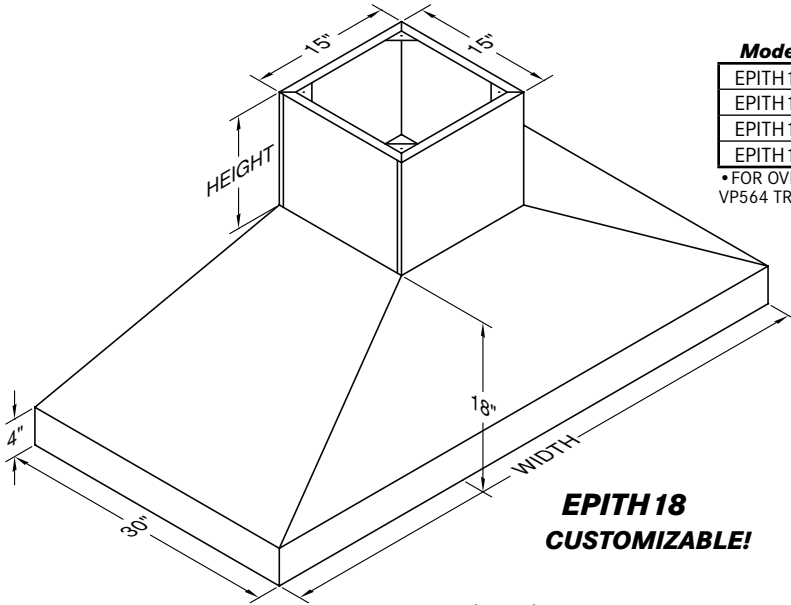
550 CFM EURO-STYLE ISLAND HOOD VARIATIONS

SPECIAL WIDTH (LESS THAN 48") USE NEXT LARGEST SIZE ON PRICE LIST, PLUS				428
DEPTH OVER 27"/30"				
	PAINTED	STAINLESS	OVERLAY	
WIDTH X EXTRA DEPTH X PLUS	2	4	5	734
	STAINLESS STEEL INTERIOR ON OVERLAY HOOD SUBTRACT PAINTED HOOD PRICE FROM STAINLESS HOOD PRICE			
	REMOTE BLOWER OPTIONS SEE PAGES 50-51 FOR REMOTE BLOWER OPTIONS			
	CUSTOM COLOR (SEE CUSTOM COLOR CHART) ADD			
	1340			
	TRIM OPTIONS SEE PAGES 56-57 FOR FINISH AND TRIM OPTIONS			

EURO-STYLE ISLAND

REC. MOUNTING HEIGHT FROM
COOKING SURFACE: 30"

1100 CFM MODELS: VP564 TRANSITION INCLUDED

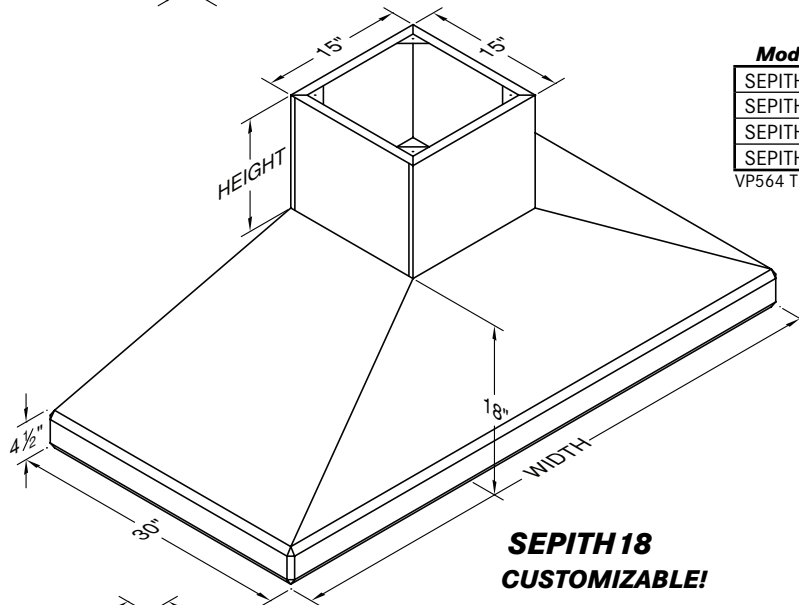


EPITH 18

Model No.	CFM	Width	Painted	Stainless	Overlay*	# Lts
EPITH18-448	1100	48"	8,421	10,504	14,241	4
EPITH18-454		54"	9,253	11,437	15,491	4
EPITH18-460		60"	9,619	12,249	16,298	4
EPITH18-466		66"	10,011	12,760	17,130	4

* FOR OVERLAY HOODS, SPECIFY INTERIOR COLOR.
VP564 TRANSITION TO 12" ROUND INCLUDED.

SHOWN WITH
MATCHING DUCT COVER
(SOLD SEPARATELY)

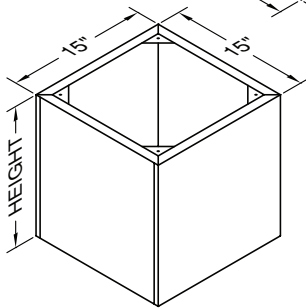


SEPITH 18

Model No.	CFM	Width	Painted	Stainless	# Lts
SEPITH18-448	1100	48"	9,202	11,510	4
SEPITH18-454		54"	10,037	12,493	4
SEPITH18-460		60"	10,403	13,007	4
SEPITH18-466		66"	10,768	13,549	4

VP564 TRANSITION TO 12" ROUND INCLUDED.

SHOWN WITH
MATCHING DUCT COVER
(SOLD SEPARATELY)



1100 CFM EURO-STYLE ISLAND DUCT COVERS

Model No.	Width	Height	Painted	Stainless	Overlay	Ceiling
IDCRND-15/12	15"	12"	874	942	1,121	8'
IDCRND-15/24		24"	1,076	1,211	1,568	9'
IDCRND-15/36		36"	1,279	1,480	1,979	10'
CUSTOM	WIDTH X HEIGHT X		1.00	2.00	3.00	
	PLUS		734			
SLOPED TOP*	ADD		734			

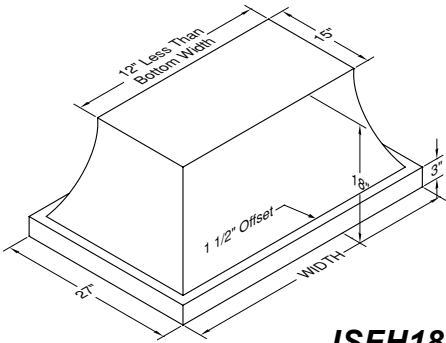
CEILING BASED ON REC. MAXIMUM HOOD MOUNTING HEIGHT.
* SPECIFY FRONT TO BACK OR LEFT TO RIGHT DIMENSIONS.

1100 CFM EURO-STYLE ISLAND HOOD VARIATIONS

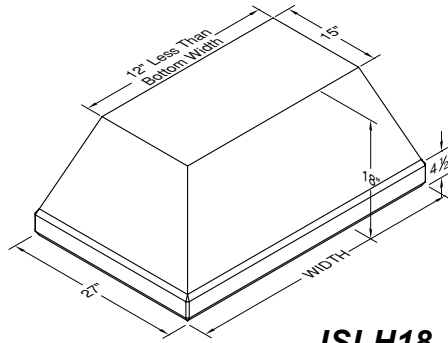
WIDTHS OVER 66"	PAINTED	STAINLESS	OVERLAY	STAINLESS STEEL INTERIOR ON OVERLAY HOOD SUBTRACT PAINTED HOOD PRICE FROM STAINLESS HOOD PRICE
FOR EACH 6" INCREMENT	379	497	782	REMOTE BLOWER OPTIONS SEE PAGES 50-51 FOR REMOTE BLOWER OPTIONS
PLUS		428		
SPECIAL WIDTH (LESS THAN 66") USE NEXT LARGEST SIZE ON PRICE LIST, PLUS		428		CUSTOM COLOR (SEE CUSTOM COLOR CHART) ADD 1340
DEPTH OVER 30"	PAINTED	STAINLESS	OVERLAY	TRIM OPTIONS SEE PAGES 56-57 FOR FINISH AND TRIM OPTIONS
WIDTH X EXTRA DEPTH X PLUS	2	4	5	
		734		

OTHER ISLAND STYLES

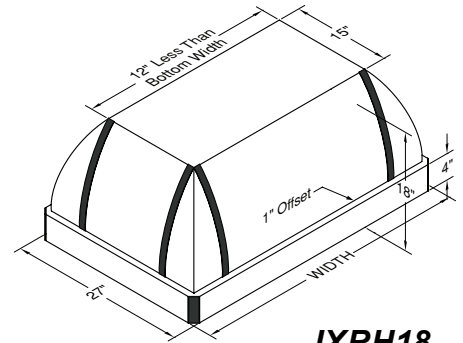
THESE MODELS HAVE BEEN REMOVED FROM OUR PRICING LITERATURE BUT THAT DOES NOT MEAN THAT THEY HAVE BEEN DISCONTINUED. PLEASE CONTACT THE FACTORY FOR PRICING DETAILS ON THESE HOODS.



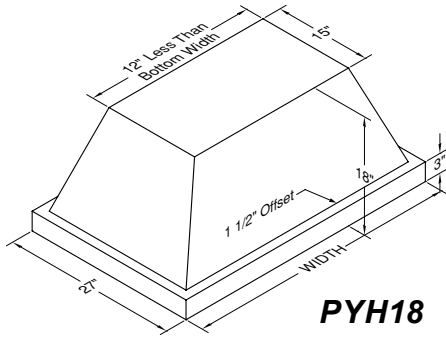
ISFH18



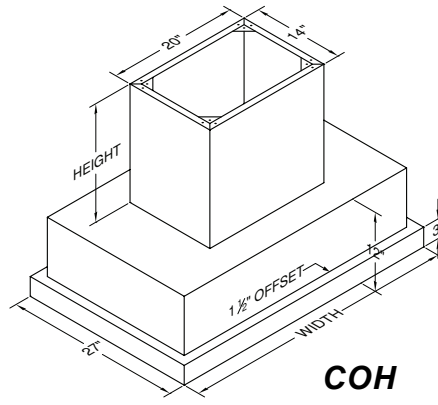
ISLH18



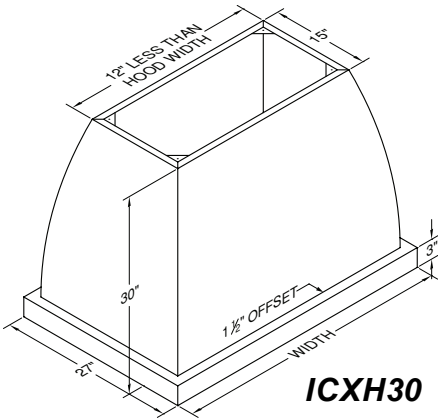
IXRH18



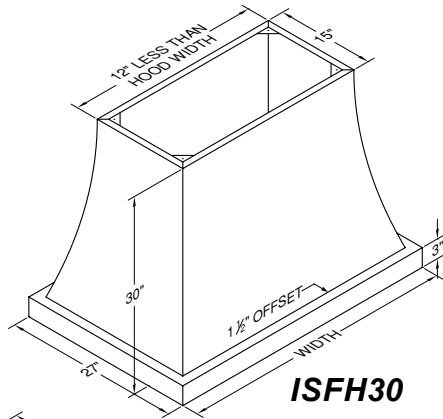
PYH18



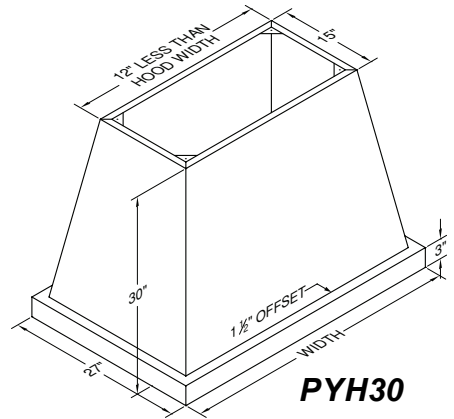
COH



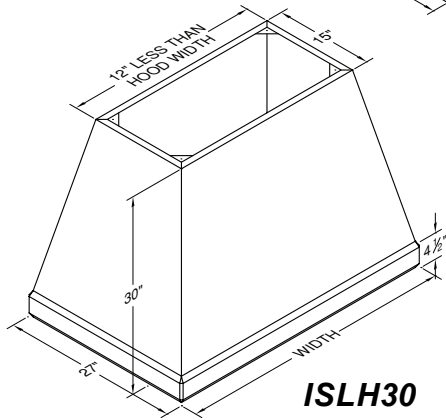
ICXH30



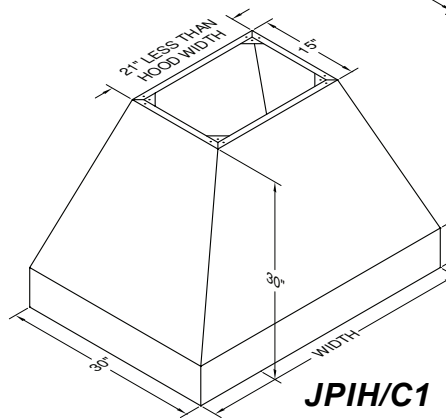
ISFH30



PYH30



ISLH30



JPIH/C1

WALL MOUNT LINER INSERTS

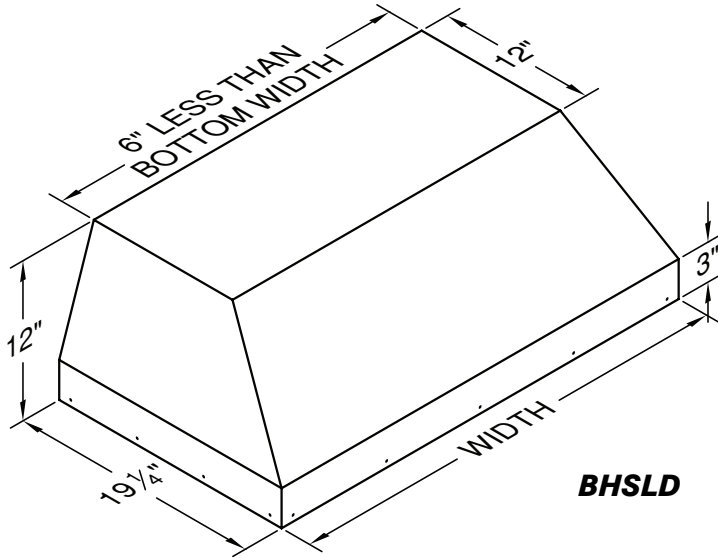
REC. MOUNTING HEIGHT FROM COOKING SURFACE:

BHSLD: 24"-27"

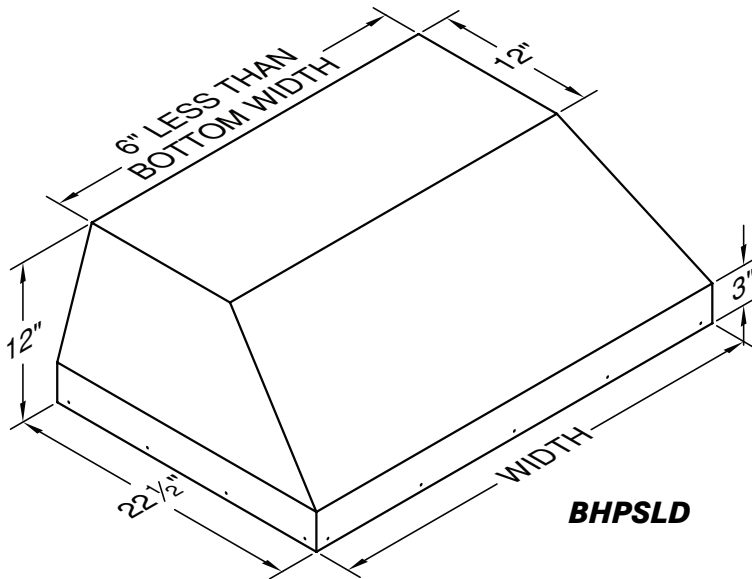
BHPSLD & BHPSLB: 27"-30"

900 CFM OPTIONAL TRANSITION TO 10" ROUND: VP562

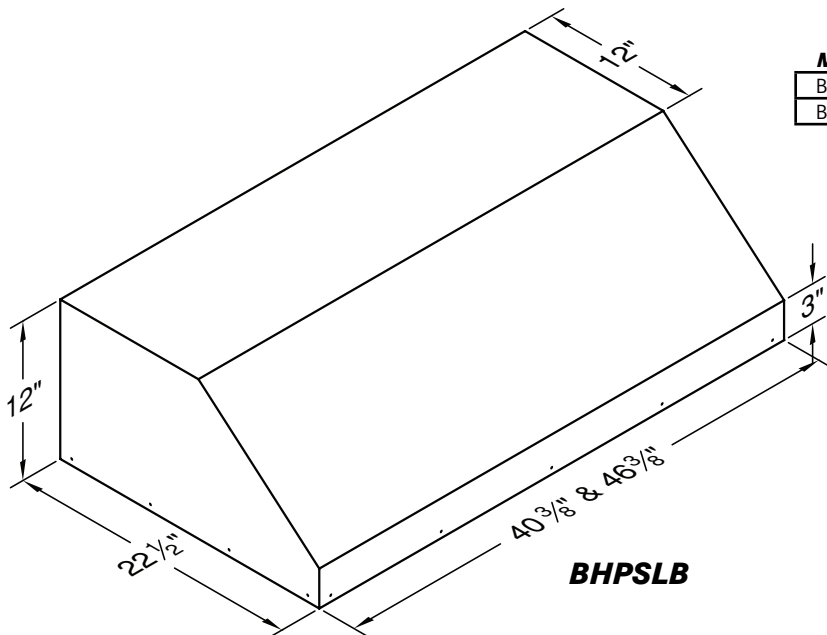
1200 CFM OPTIONAL TRANSITION TO 12" ROUND: VP563



BHSLD



BHPSLD



BHPSLB

BHSLD

Model No.	CFM	Width	Painted	Stainless	# Lts
BH128SLD	300	28 3/8"	1,599	1,999	2
BH134SLD		34 3/8"	1,599	1,999	2
BH140SLD		40 3/8"	1,899	2,488	2
BH228SLD	600	28 3/8"	2,299	2,874	2
BH234SLD		34 3/8"	2,299	2,989	2
BH240SLD		40 3/8"	2,678	3,219	2
BH246SLD	900	46 3/8"	2,874	3,449	3
BH346SLD		46 3/8"	3,621	4,334	3

BHPSLD

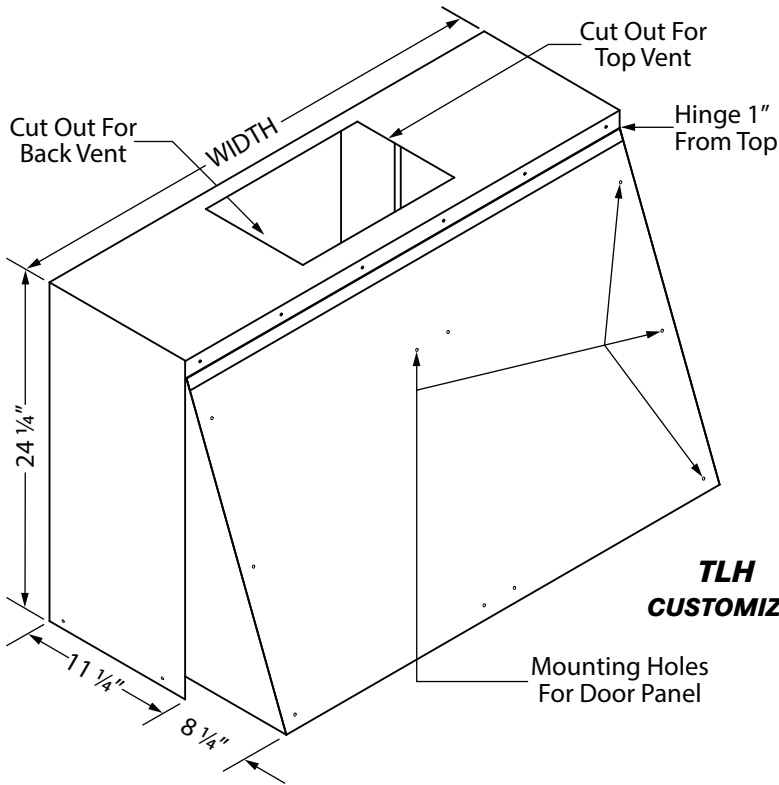
Model No.	CFM	Width	Painted	Stainless	# Lts
BH128PSLD	300	28 3/8"	1,599	1,999	2
BH134PSLD		34 3/8"	1,599	1,999	2
BH140PSLD		40 3/8"	1,899	2,488	2
BH146PSLD		46 3/8"	2,260	3,096	2
BH152PSLD	600	52 3/8"	2,832	3,898	2
BH228PSLD		28 3/8"	2,414	2,973	2
BH234PSLD		34 3/8"	2,299	2,989	2
BH240PSLD		40 3/8"	2,678	3,276	2
BH246PSLD		46 3/8"	2,989	3,449	3
BH252PSLD		52 3/8"	3,449	4,369	3
BH346PSLD	900	46 3/8"	3,679	4,369	3
BH352PSLD		52 3/8"	4,139	5,289	3
BH358PSLD	1200	58 3/8"	4,944	6,209	4
BH452PSLD		52 3/8"	5,634	6,094	3
BH458PSLD	1200	58 3/8"	5,634	6,899	4
BH464PSLD		64 3/8"	5,749	7,359	4

BHPSLB

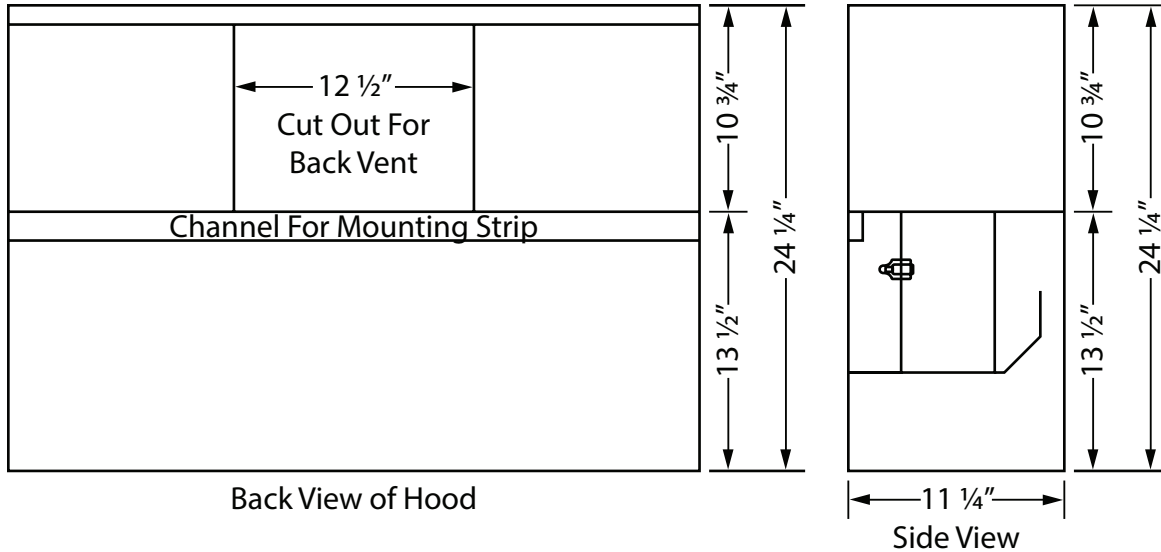
Model No.	CFM	Width	Painted	Stainless	# Lts
BH340PSLB	900	40 3/8"	3,679	4,369	3
BH446PSLB	1200	46 3/8"	4,484	5,404	3

WALL MOUNT LINER INSERTS

REC. MOUNTING HEIGHT FROM
COOKING SURFACE: 23 3/4"



Model No.	CFM	TLH			# Lts
		Width	Painted	Stainless	
TLH-130	300	30"	3,158	4,276	2
TLH-136		36"	3,231	4,324	2
TLH-142		42"	3,482	4,599	3
TLH-148		48"	3,622	4,766	3
TLH-230	600	30"	3,847	5,029	2
TLH-236		36"	3,920	5,078	2
TLH-242		42"	4,170	5,353	3
TLH-248		48"	4,311	5,521	3

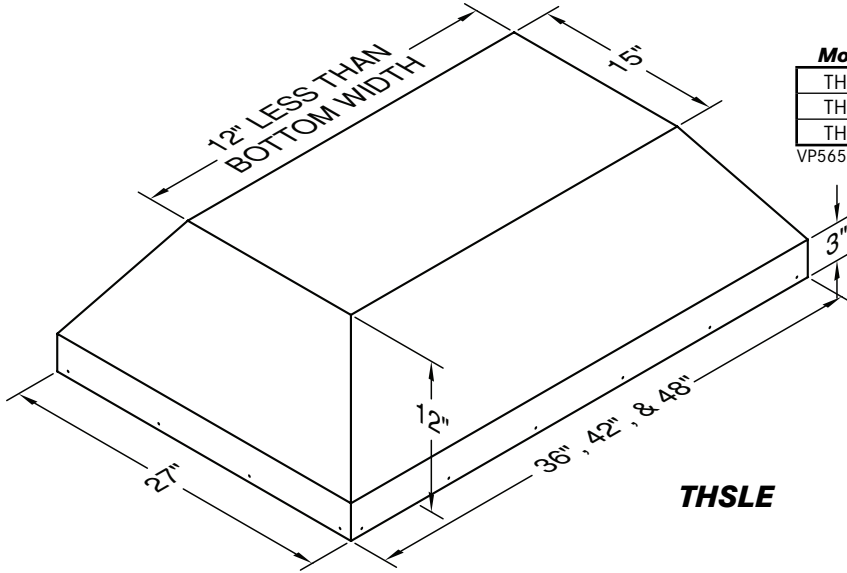


TLH WALL MOUNT HOOD VARIATIONS			
SPECIAL WIDTH (LESS THAN 48")		CUSTOM TILT OUT	
ADD	428	HEIGHT (36" MAX), WIDTH, DEPTH OR COMBO VARIATION	
HINGE AT TOP		ADD	876
ADD	428	CUSTOM COLOR (SEE CUSTOM COLOR CHART)	
		ADD	1340

ISLAND LINER INSERTS

REC. MOUNTING HEIGHT FROM
COOKING SURFACE: 30"

550 CFM MODELS: VP565 TRANSITION INCLUDED
1100 CFM MODELS: VP564 TRANSITION INCLUDED

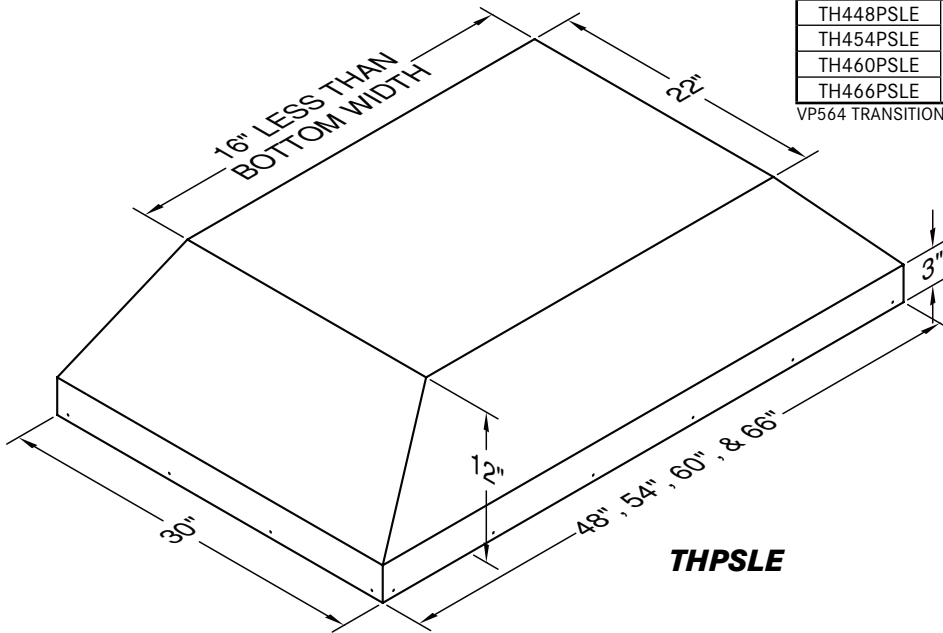


THSLE

THSLE

Model No.	CFM	Width	Painted	Stainless	# Lts
TH236SLE	550	36"	3,867	4,819	4
TH242SLE		42"	3,954	4,956	4
TH248SLE		48"	4,041	5,046	4

VP565 TRANSITION TO 8" ROUND INCLUDED.



THPSLE

THPSLE

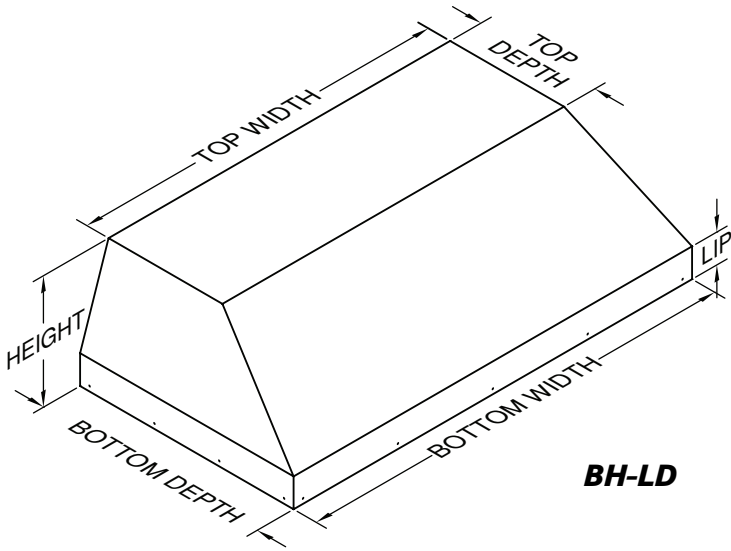
Model No.	CFM	Width	Painted	Stainless	# Lts
TH448PSLE	1100	48"	6,385	8,702	4
TH454PSLE		54"	6,643	9,028	4
TH460PSLE		60"	6,789	9,338	4
TH466PSLE		66"	6,892	9,526	4

VP564 TRANSITION TO 12" ROUND INCLUDED.

CUSTOM WALL MOUNT LINER INSERTS

REC. MOUNTING HEIGHT FROM
COOKING SURFACE: VARIES BY SIZE

900 CFM OPTIONAL TRANSITION TO 10" ROUND: VP562
1200 CFM OPTIONAL TRANSITION TO 12" ROUND: VP563



BH-LD

MINIMUM TOP WIDTH FOR 300 SERIES IS 40-3/8".
MINIMUM TOP WIDTH FOR 400 SERIES IS 46-3/8"

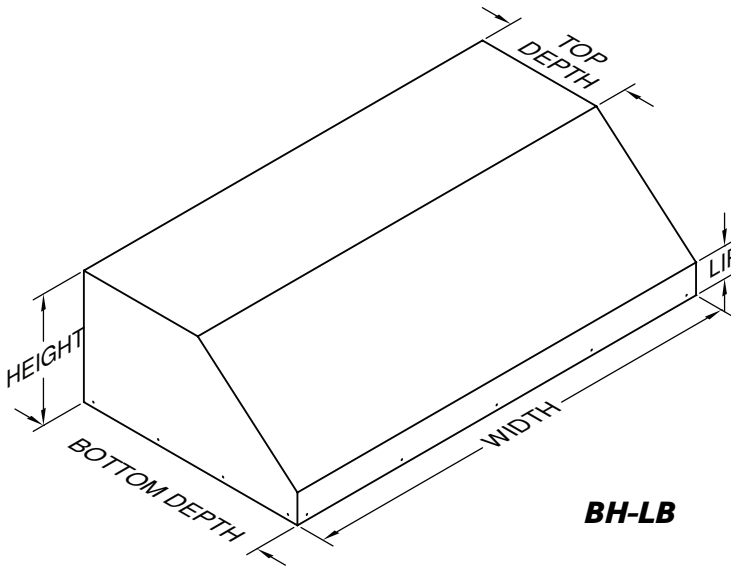
BH-LD

Model No.	CFM	Width	Painted	Stainless	# Lts
BH100LD-A	300	24"-36"	3,079	4,024	2
BH200LD-A	600	24"-36"	3,838	4,831	2
BH200LD-B		36"-48"	4,263	5,280	*
BH200LD-C		48"-54"	4,830	6,132	*
BH300LD-D	900	42"-54"	5,778	7,269	*
BH400LD-E	1200	48"-66"	7,055	8,787	*

2 LIGHTS FOR HOODS 24"<42", 3 LIGHTS FOR HOODS 42"<54", 4 LIGHTS FOR HOODS 54"≤66"

TRIM KIT INCLUDED
DIMENSIONS BELOW ARE AVAILABLE
AT NO ADDITIONAL COST.

BOTTOM DEPTH:	16" - 24"
HEIGHT:	12"
TOP DEPTH:	12"
LIP:	3"



BH-LB

BH-LB

Model No.	CFM	Width	Painted	Stainless	# Lts
BH100LB-A	300	24"-36"	2,368	3,315	2
BH200LB-A	600	24"-36"	3,128	4,099	2
BH200LB-B		36"-48"	3,552	4,571	*
BH200LB-C		48"-54"	4,119	5,400	*
BH300LB-D	900	42"-54"	5,070	6,534	*
BH400LB-E	1200	48"-66"	6,345	8,076	*

2 LIGHTS FOR HOODS 24"<42", 3 LIGHTS FOR HOODS 42"<54", 4 LIGHTS FOR HOODS 54"≤66"

TRIM KIT INCLUDED
DIMENSIONS BELOW ARE AVAILABLE
AT NO ADDITIONAL COST.

BOTTOM DEPTH:	16" - 24"
HEIGHT:	12"
TOP DEPTH:	12"
LIP:	3"

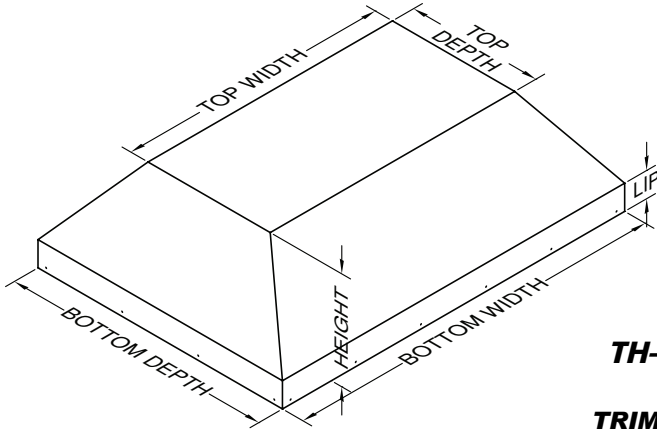
CUSTOM WALL MOUNT LINER INSERT VARIATIONS

WIDTHS OVER 66"			LIP (OTHER THAN 3" STANDARD)	
	PAINTED	STAINLESS	ADD	734
FOR EACH 6" INCREMENT PLUS	332	477	SPECIAL TOP DEPTH (12" MINIMUM)	
		428	ADD	734
SPECIAL HEIGHT (OTHER THAN 12" STANDARD)			ADDITIONAL BLOWERS & LIGHTS	
9" MINIMUM, 18" MAXIMUM			SEE PAGE 50 FOR BLOWER OPTIONS	
ADD			REMOTE BLOWER OPTIONS	
			SEE PAGES 50-51 FOR REMOTE BLOWER OPTIONS	
DEPTH OVER 24"			CUSTOM COLOR (SEE CUSTOM COLOR CHART)	
	PAINTED	STAINLESS	ADD	1340
WIDTH X EXTRA DEPTH X PLUS	2.00	3.00		
		734	WARMING LAMPS AND SHELVES	
			SEE PAGES 53 FOR WARMING LAMP AND SHELF OPTIONS	

CUSTOM ISLAND LINER INSERTS

REC. MOUNTING HEIGHT FROM COOKING SURFACE: VARIES BY SIZE

VP565 TRANSITION INCLUDED WITH EACH DUAL BLOWER
VP564 TRANSITION INCLUDED WITH EACH CLUSTER BLOWER



TH-LE

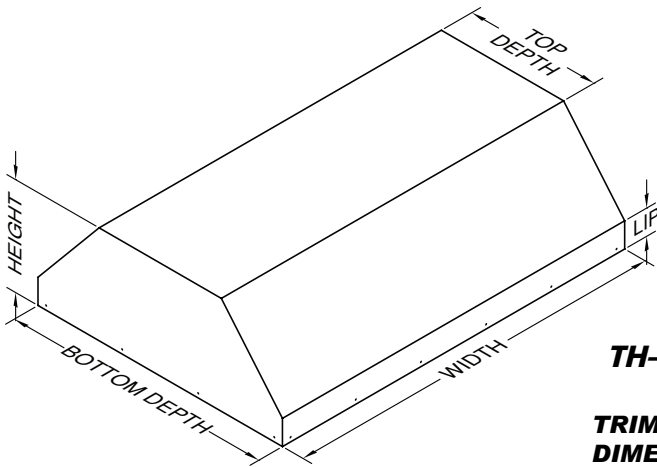
MODEL NO.	CFM	Width	Painted	Stainless	# Lts
TH200LE-A	550	24"-36"	5,449	6,965	4
TH200LE-B		36"-48"	5,782	7,390	4
TH200LE-C		48"-54"	6,229	7,981	4
TH2+200LE-E	1100	48"-66"	8,964	11,412	*

EACH DUAL BLOWER REQUIRES 24" MINIMUM TOP WIDTH.
• VP565 TRANSITION TO 8" ROUND INCLUDED WITH EACH DUAL BLOWER.
4 LIGHTS FOR HOODS 48"<60", 8 LIGHTS FOR HOODS 60"≤66"
A CLUSTER BLOWER (1100 CFM) IS AVAILABLE ON MODELS WITH A MINIMUM TOP SIZE OF 24" WIDE X 24" DEEP. CONTACT THE FACTORY FOR ADDITIONAL DETAILS.

TH-LE

TRIM KIT INCLUDED
DIMENSIONS BELOW ARE AVAILABLE AT NO ADDITIONAL COST.

BOTTOM DEPTH:	27"
HEIGHT:	12"
TOP WIDTH:	12" LESS THAN BOTTOM WIDTH
TOP DEPTH:	12" LESS THAN BOTTOM DEPTH
LIP:	3"



TH-LC

MODEL NO.	CFM	Width	Painted	Stainless	# Lts
TH200LC-A	550	24"-36"	5,449	6,965	4
TH200LC-B		36"-48"	5,782	7,390	4
TH200LC-C		48"-54"	6,229	7,981	4
TH2+200LC-E	1100	48"-66"	8,964	11,412	*

EACH DUAL BLOWER REQUIRES 24" MINIMUM TOP WIDTH.
• VP565 TRANSITION TO 8" ROUND INCLUDED WITH EACH DUAL BLOWER.
4 LIGHTS FOR HOODS 48"<60", 8 LIGHTS FOR HOODS 60"≤66"
A CLUSTER BLOWER (1100 CFM) IS AVAILABLE ON MODELS WITH A MINIMUM TOP SIZE OF 24" WIDE X 24" DEEP. CONTACT THE FACTORY FOR ADDITIONAL DETAILS.

TH-LC

TRIM KIT INCLUDED
DIMENSIONS BELOW ARE AVAILABLE AT NO ADDITIONAL COST.

BOTTOM DEPTH:	27"
HEIGHT:	12"
TOP DEPTH:	12" LESS THAN BOTTOM DEPTH
LIP:	3"

CUSTOM ISLAND LINER INSERT VARIATIONS

WIDTHS OVER 66"			SPECIAL HEIGHT (OTHER THAN 12" STANDARD)	
FOR EACH 6" INCREMENT PLUS	PAINTED 332	STAINLESS 477	9" MINIMUM, 18" MAXIMUM ADD	734
DEPTH OVER 27"			SPECIAL TOP WIDTH OR DEPTH	
WIDTH X EXTRA DEPTH X PLUS	PAINTED 2.00	STAINLESS 3.00	ADD	734
LIP (OTHER THAN 3" STANDARD)			REMOTE BLOWER OPTIONS	
ADD	734		SEE PAGES 50-51 FOR REMOTE BLOWER OPTIONS	
			CUSTOM COLOR (SEE CUSTOM COLOR CHART)	
			ADD	1340

BLOWER OPTIONS

You may need to add a blower to hoods to increase CFM, depending on the cooking equipment being used. To add a blower to a hood, you need to have enough top space inside of the hood to do so. A Single Blower requires 16" of space, a Dual Blower requires 24" of space, an Island Dual Blower requires 12" D x 23 1/2" W, and an Island Cluster Blower requires 24" D x 24" W.

ADDING BLOWERS

Model	Volts	Amps	Hz	RPM	*CFM	**Equiv CFM	Painted	Stainless Steel
Single Blower	120	1.5	60	1550	300	450	733	905
Dual Blower	120	2.9	60	1550	600	900	1,422	1,658
Island Dual Blower	120	2.9	60	1550	550	900	1,464	1,874
Island Cluster Blower	120	5.8	60	1550	1100	1800	2,928	3,746
RM1000	120	3.2	60	1100	945	N/A	2,144	
RM1500	120	5.0	60	1130	1500	N/A	2,694	

SensaSource® - Our patented speed control system that allows the blower to be turned to half speed for light cooking but automatically returns to high speed when heat rise is detected. This feature is standard on all Magic Lung® and K Series models with halogen lighting.

SensaSource®

Convert two-speed blower to auto-on SensaSource® control (one for each single or dual blower) 191 ea.

- * CFM rating is based on 0.0" static pressure (resistance in the ducting turns, roof caps, etc.) CFM rating will change as static pressure is increased. Static pressure increases due to ducting and length of duct run.
- ** Equivalent CFM refers to the fact that the Magic Lung® uses centrifugal filtration units, while others use conventional filters. Apply this guideline when comparing blower units made by other manufacturers.

There are certain customers who will want a remote blower range hood despite the benefits of the Magic Lung blower system. The following steps will help you when pricing remote blower hoods.

1. Specify how many and which filters you will be using. B20 SS filters are for wall mount or under cabinet installations and T20 SS filters are for island installations. We recommend one B20 SS or T20 SS for each 22" of hood top width.
2. Specify the size and number of remote blowers you will need. The RM1000 is equivalent to a B200 or T200 blower. The RM1500 is 50% larger.
3. For each remote blower, you will need to add an accessory kit. The accessory kit includes a variable speed blower controller, LED lights, back draft dampers, and a 10" duct collar.

DEDUCTING BLOWERS FOR REMOTE BLOWER MODELS

BLOWER PRICING BELOW IS FOR USE IN CALCULATING DEDUCTIONS FOR REMOTE BLOWERS ONLY.		
MODEL	PAINTED	STAINLESS
B100 (SINGLE BLOWER)	730	905
B200 (DUAL BLOWER)	1,421	1,658
T200 (ISLAND DUAL BLOWER)	1,464	1,872
T400 (ISLAND CLUSTER BLOWER)	2,928	3,746
SPECIAL COLLAR	446	

REMOTE BLOWERS

HOOD SELECTION/PRICING WITH REMOTE BLOWERS

1. CHOOSE THE BASE MODEL HOOD THAT IS TO BE EQUIPPED WITH A REMOTE BLOWER.
2. DEDUCT THE PRICE OF THE INTERNAL BLOWER(S) FROM THE HOOD (SEE PREVIOUS PAGE).
3. ADD THE APPROPRIATE ACCESSORY KIT (SEE RIGHT).
4. ADD THE APPROPRIATE FILTERS (SEE BELOW).
5. ADD THE APPROPRIATE REMOTE BLOWER UNIT(S) (SEE BELOW).

LIGHT KITS

INCLUDES LED LIGHTS, TWO-STAGE LIGHT SWITCH, SOLID STATE MOTOR CONTROL SWITCH (VARIABLE SPEED) AND 10" DAMPER ASSEMBLY INSTALLED IN HOOD.

ACC.KIT-W-H2 (2 LED LIGHTS/WALL MT)	1,042
ACC.KIT-W-H3 (3 LED LIGHTS/WALL MT)	1,321
ACC.KIT-W-H4 (4 LED LIGHTS/WALL MT)	1,601
ACC.KIT-I-H4 (4 LED LIGHTS/ISLAND)	2,172
ACC.KIT-I-H8 (8 LED LIGHTS/ISLAND)	3,260

ACCESSORY KIT PARTS

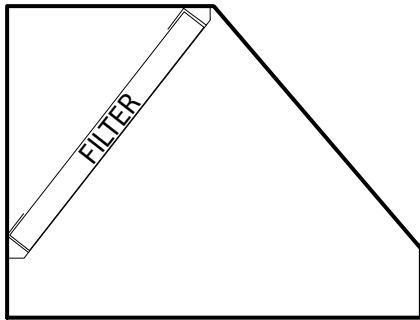
SOLID STATE (VARIABLE SPEED) MOTOR
CONTROL WALL SWITCH (P1500W) 161

ACCESSORY KIT PARTS

WHEN ORDERED WITH HOOD

TO ADD MOTOR CONTROL WALL SWITCH ASSEMBLY
ADD (P1500R) 40

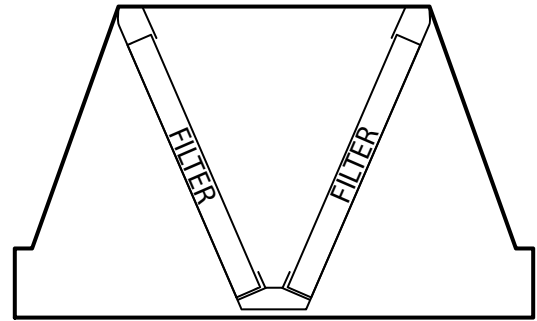
WALL MOUNT BAFFLE FILTER



WALL MOUNT SIDE VIEW

B20 SS (PER FILTER) 713
(SPECIFY ONE B20 SS FOR EACH 22" OF HOOD TOP WIDTH)

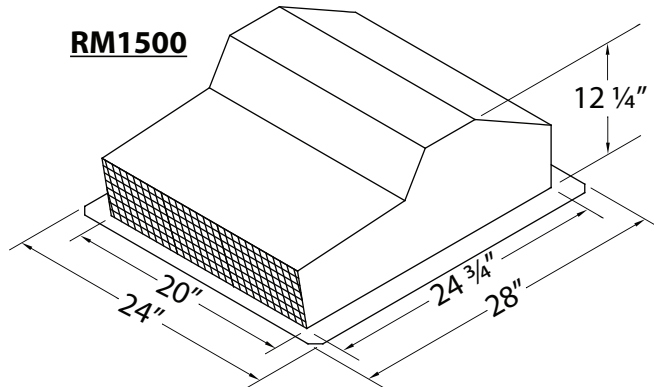
ISLAND BAFFLE FILTER



ISLAND SIDE VIEW

T20 SS (PER PAIR OF FILTERS) 1,472
(SPECIFY ONE PAIR OF T20 SS FOR EACH 22" OF HOOD TOP WIDTH)

REMOTE BLOWERS

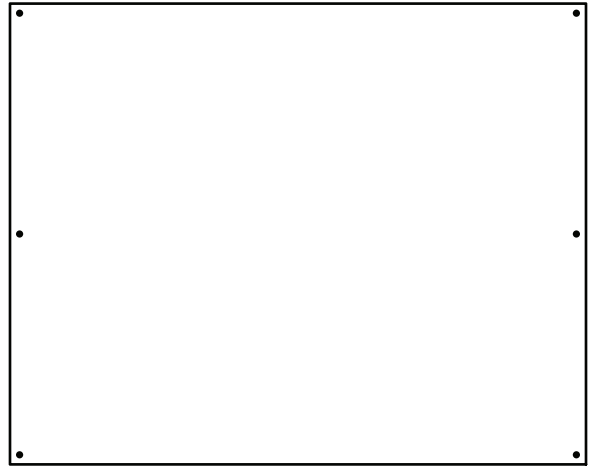


RM1500 REMOTE BLOWER 2,694

SPLASH PANELS

STANDARD SPLASH PANELS

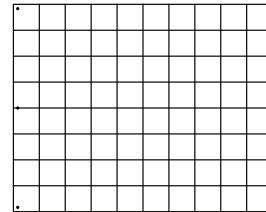
Panel Size	Painted	Stainless	Overlay
30" W x 24" T	110	180	428
36" W x 24" T	130	214	512
42" W x 24" T	155	252	593
48" W x 24" T	168	287	688
30" W x 30" T	130	227	536
36" W x 30" T	155	275	641
42" W x 30" T	191	309	748
48" W x 30" T	214	356	854
SPECIAL SIZES (SPECIFY IF HEMS/HOLES REQUIRED)			
PER SQ INCH	0.50	0.50	1.00



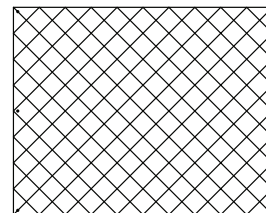
HEMS AND HOLES ARE INCLUDED ON STANDARD SIZES, PRICE AS A CUSTOM PANEL IF HEMS AND/OR HOLES ARE NOT REQUIRED.

OVERLAY & PATTERNED SPLASH PANELS

Panel Size	Painted	Stainless	Overlay
30" W x 24" T Pat.	193	239	398
36" W x 24" T Pat.	206	261	452
42" W x 24" T Pat.	224	284	504
48" W x 24" T Pat.	365	484	885
30" W x 30" T Pat.	206	269	467
36" W x 30" T Pat.	224	299	536
42" W x 30" T Pat.	244	322	604
48" W x 30" T Pat.	260	351	672
SPECIAL SIZES (SPECIFY IF HEMS/HOLES REQUIRED)			
PER SQ INCH	0.50	0.50	1.00
PLUS		197	



CHECKERBOARD



DIAMOND

HEMS AND HOLES ARE INCLUDED ON STANDARD SIZES, PRICE AS A CUSTOM PANEL IF HEMS AND/OR HOLES ARE NOT REQUIRED.

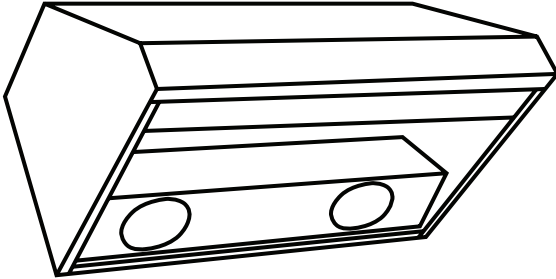
OTHER SPLASH PANEL OPTIONS

Ordering Notes and Options:

PAINTED SPLASH PANELS MUST HAVE AT LEAST ONE HOLE IN THEM TO ALLOW FOR PAINTING.	
FOR CUT-OUTS OR SPECIAL BREAKS, ADD	50
CRATING CHARGE FOR PANELS TOO LARGE TO PACKAGE WITH HOOD, ADD	85
MINIMUM CHARGE ON SMALL PANELS	50

WARMING LAMPS & SHELVES

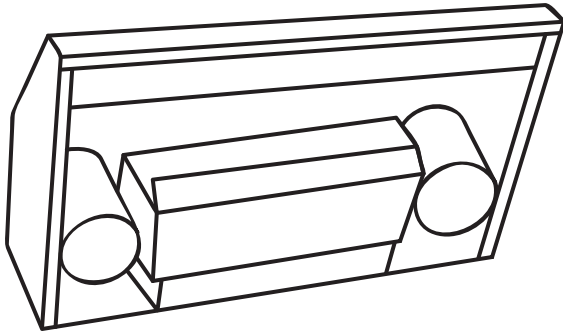
WARMING BAR



FOR USE IN HOODS 18" OR TALLER.
NOT AVAILABLE ON HOODS WITH DECKS BELOW 18".
BULBS NOT INCLUDED.

Model No.	Price
WBAR INCLUDES 2 LIGHTS	759
FOR ADDITIONAL LIGHTS, ADD	759
PLUS, PER LIGHT	456

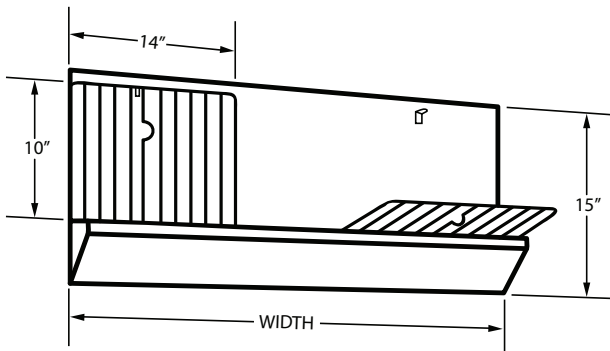
WARMING LAMP HOUSING



FOR USE IN HOODS UNDER 18" TALL.
8" TOP DIMENSION REQUIRED PER FIXTURE.
BULBS NOT INCLUDED.

Model No.	Price Per Light
WL-1	456

WARMING SHELF



TWO FOLD DOWN SHELVES ON A BACKSPLASH.
MOUNTED ON A 3 1/2" DEEP LEDGE.
EACH SHELF IS 10" DEEP x 14" WIDE.
STAINLESS BACKSPLASH IS 15" TALL.

Model No.	Width	Price
WS030	30"	877
WS036	36"	959
WS042	42"	1031
WS048	48"	1129
WS054	54"	1199
WS060	60"	1279
WS066	66"	1354
WS072	72"	1444

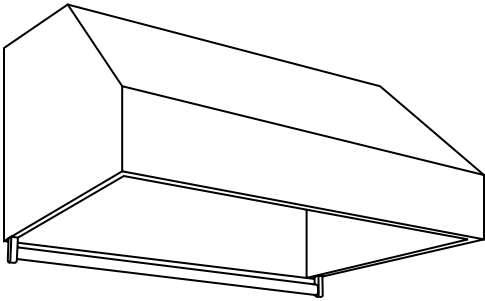
Model No.	Description	Price
P1415	Additional Shelf	441

WS0 With Non-Standard Width	Price
USE NEXT LARGEST SIZE ON PRICE LIST PLUS	456

ACCESSORY RAIL

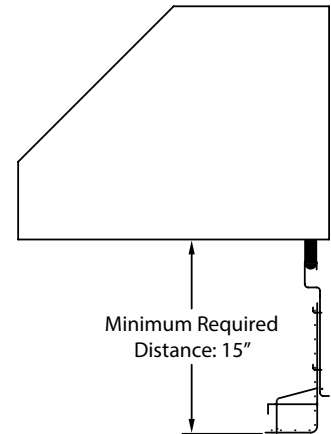
MODEL WR0

WR0 kit installed on hood includes mounting hardware, accessory rail, two hanger brackets, and two warming shelves with spice racks.



Model No.	Width	Price
WR030	30"	851
WR036	36"	862
WR042	42"	862
WR048	48"	894
WR054	54"	894
WR060	60"	894
WR066	66"	1046
WR072	72"	1077
UP TO 120"		1077

SPECIAL WIDTH: USE NEXT LARGEST SIZE.



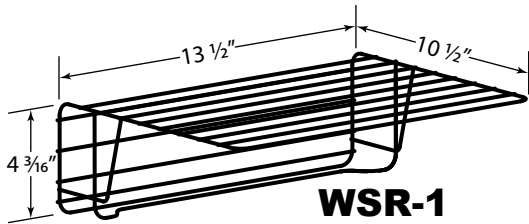
MODEL WR0L

For use with liner inserts. Specify exact width between cabinets. Use next largest size price for WR0 listed to the right. Kit includes mounting end caps, accessory rail, two hanger brackets, and two warming shelves with spice racks.

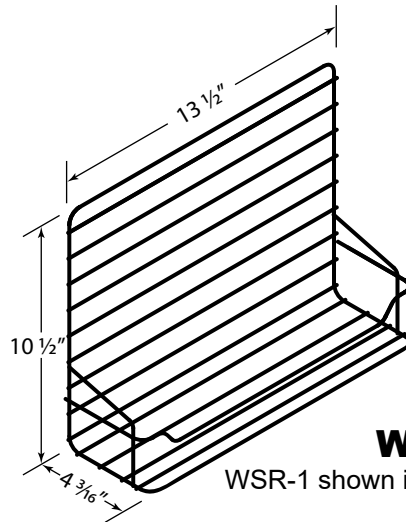
Hood must be at least 30" wide to allow sufficient space for two hanging brackets.

The minimum for hoods with the SL lip is 32" due to the decorative features of the SL lip.

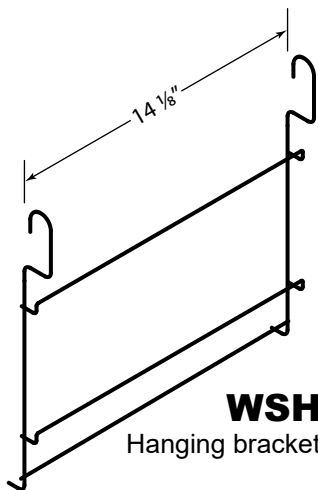
ADDITIONAL SHELVES/SPICE RACKS



WSR-1 shown in warming shelf position.



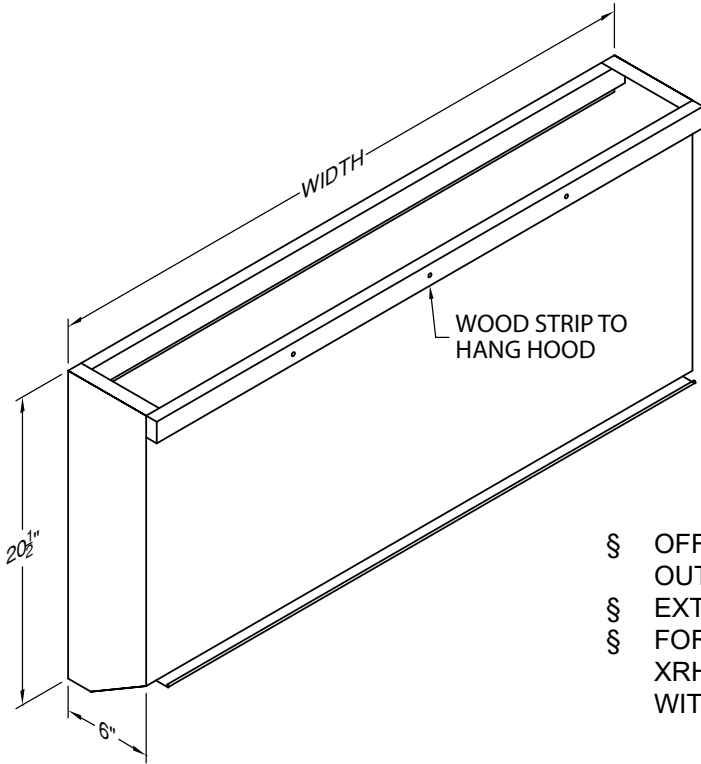
WSR-1 shown in spice rack position.



WSH-1
Hanging bracket for WSR-1.

Model No.	Description	Price
WSR-1	Warming Shelf/Rack	194
WSH-1	Hanging Bracket	109
WR0-EC	End Cap (2 Req.)	50

BBQ EXTENSION



Model No.	Width	Painted	Stainless
BBE30	30"	835	1169
BBE36	36"	873	1365
BBE42	42"	897	1497
BBE48	48"	935	1596
BBE54	54"	972	1719
BBE60	60"	1009	1832

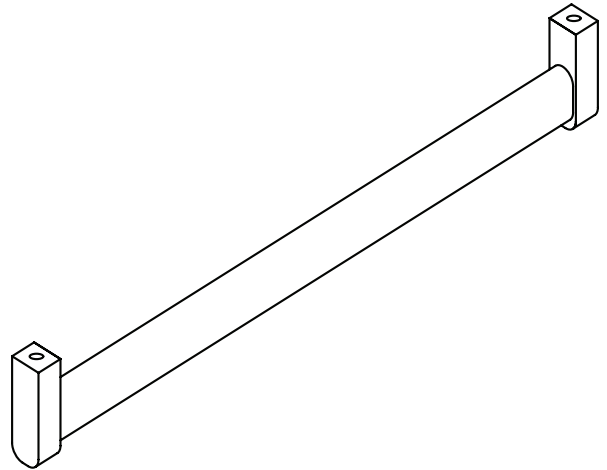
PRODUCT FEATURES

- § OFFERS MAXIMUM CANOPY EXPOSURE OVER OUTDOOR GRILL APPLICATIONS
- § EXTENDS PROJECTION TO 30" OR 33" DEEP
- § FOR USE WITH PRH18, PRXH18, NPH18, NPXH18, XRH18, OR XRXH18 MODELS WHEN NOT EQUIPPED WITH A WARMING BAR.

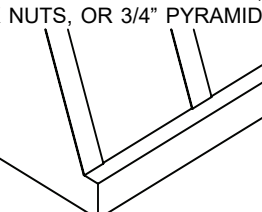
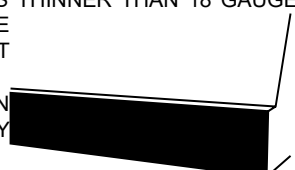
WR ACCESSORY RAIL

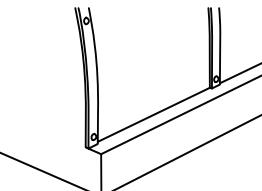
FOR USE WITH BBQ EXTENSION KIT.
AVAILABLE IN SS FINISH ONLY.

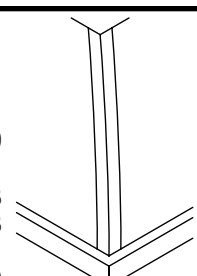
Model No.	Price
WR-30	227
WR-36	252
WR-42	252
WR-48	262
WR-54	262
WR-60	262

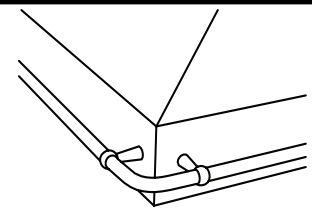


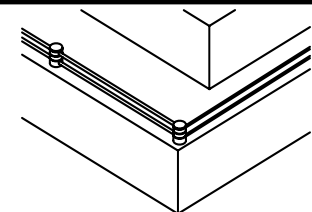
BANDS, FINISHES, & POT RAILS

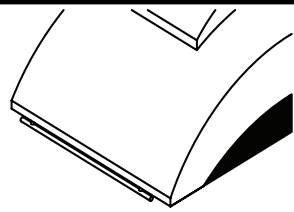
VERTICAL BANDS	LIP TREATMENT (L/T)
<p style="text-align: right;">18 GAUGE*</p> <p>1/2" WIDE: EACH BAND (UP TO 30") 366 1" WIDE: EACH BAND (UP TO 30") 366 2" WIDE: EACH BAND (UP TO 30") 366</p> <p>TALLER THAN 30", PER INCH PER BAND, ADD 12.00</p> <p>* 18 GAUGE VERTICAL BANDS ARE ATTACHED WITH LAMINATE. 18 GAUGE VERTICAL BANDS CAN BE ATTACHED WITH 1/4" RIVETS, 1/2" RIVETS, 3/8" HEX NUTS, 1/2" HEX NUTS, OR 3/4" PYRAMID CLAVOS BY REQUEST. HAMMERED COPPER MATERIAL IS THINNER THAN 18 GAUGE MATERIAL. ATTACHMENTS ARE REQUIRED FOR HAMMERED COPPER BANDS AND FOR BANDS ON HAMMERED COPPER HOODS.</p> 	<p>18 GAUGE, PER INCH, ADD 12.00 1/8" THICK x 1" TALL SOLID BRASS, SOLID COPPER, OR BRUSHED SS PER INCH, ADD 13.00* 1/4" THICK x 1" TALL SOLID BRASS, SOLID COPPER, OR BRUSHED SS PER INCH, ADD 15.00*</p> <p>* 18 GAUGE L/T IS ATTACHED WITH LAMINATE. 18 GAUGE L/T CAN BE ATTACHED WITH 1/4" RIVETS, 1/2" RIVETS, 3/8" HEX NUTS, 1/2" HEX NUTS, OR 3/4" PYRAMID CLAVOS BY REQUEST. HAMMERED COPPER MATERIAL IS THINNER THAN 18 GAUGE MATERIAL. ATTACHMENTS ARE REQUIRED FOR LIP TREATMENT ON HAMMERED COPPER HOODS. ** ATTACHED WITH 1/2" RIVETS. CAN BE ATTACHED WITH LAMINATE BY REQUEST.</p> 

HEAVY VERTICAL BANDS
<p>SOLID BRASS, SOLID COPPER, OR BRUSHED SS</p> <p>1/8" THICK x 1" WIDE, EACH (UP TO 30") 399 TALLER THAN 30" PER INCH PER BAND, ADD 13.00</p> <p>1/4" THICK x 1" WIDE, EACH (UP TO 30") 436 TALLER THAN 30", PER INCH PER BAND, ADD 15.00</p> <p>1/8" THICK AND 1/4" THICK HEAVY VERTICAL BANDS ARE ATTACHED WITH 1/2" RIVETS. CAN BE ATTACHED WITH LAMINATE BY REQUEST.</p> 

CORNER BANDS
<p>CORNER BANDS FOR STRAIGHT EDGES*</p> <p>1" x 1", EACH (UP TO 30") 647 2" x 2", EACH (UP TO 30") 647 TALLER THAN 30", PER INCH PER BAND, ADD 22.00</p> <p>CORNER BANDS FOR CONVEX/CONCAVE EDGES*</p> <p>1" x 1", EACH (UP TO 30") 1,293 2" x 2", EACH (UP TO 30") 1,293 TALLER THAN 30", PER INCH PER BAND, ADD 43.00</p> <p>* ATTACHED WITH LAMINATE. CAN BE ATTACHED WITH 1/4" RIVETS, 1/2" RIVETS, 3/8" HEX NUTS, 1/2" HEX NUTS, OR 3/4" PYRAMID CLAVOS BY REQUEST. +1" x 1" ATTACHED WITH 1/4" RIVETS. 2" x 2" ATTACHED WITH 1/2" RIVETS. CAN BE ATTACHED WITH 3/8" HEX NUTS, 1/2" HEX NUTS, OR 3/4" PYRAMID CLAVOS BY REQUEST. AVAILABLE IN PAINTED FINISHES OR STAINLESS STEEL ONLY. ALL CORNER BANDS ARE 18 GAUGE.</p> 

POT RAIL

<p>TUBULAR (5/8" DIAMETER)</p>
<p>BRASS, CHROME, OR COPPER: PER INCH* 19.00 ADDITIONAL HOOKS AVAILABLE IN SS, COPPER, OR BRASS</p> <p>P011: EACH 17.00</p> <p>* For pot rail that is less than the overall width or depth of the hood, charge for full width or depth. Examples- A 24" deep hood with 3" of pot rail on a side is priced as 24" of pot rail. A 48" wide hood with 36" of pot rail on the front is priced as 48" of pot rail.</p>

GALLEY RAIL

<p>GALLEY RAIL</p>
<p>STAINLESS STEEL: PER INCH 15.00</p>

FIXED RAIL								
								
<p>FIXED LENGTH SS RAIL (EACH)</p>								
<table style="width: 100%; border-collapse: collapse;"> <tr> <td style="width: 80%;">PR21 SS (19.53")</td> <td style="text-align: right;">217</td> </tr> <tr> <td>PR24 SS (22.05")</td> <td style="text-align: right;">250</td> </tr> <tr> <td>PR27 SS (24.57")</td> <td style="text-align: right;">270</td> </tr> <tr> <td>PR30 SS (28.35")</td> <td style="text-align: right;">326</td> </tr> </table>	PR21 SS (19.53")	217	PR24 SS (22.05")	250	PR27 SS (24.57")	270	PR30 SS (28.35")	326
PR21 SS (19.53")	217							
PR24 SS (22.05")	250							
PR27 SS (24.57")	270							
PR30 SS (28.35")	326							

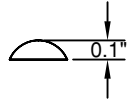
COLORS	STANDARD	SPECIAL	CUSTOM	ANTIQUÉ, SATIN, BRUSHED	ANTIQUÉ, BRUSHED, SATIN TRIM
	Biscuit (BT) Black Carbide (BC) Black Satin (BL) Gunsmoke (GS) White (WH)	Black River (BR) Copper Vein (CV) Oil Rubbed Bronze (ORB) Pewter (PTR) Rust (RT) Silver Vein (SV) Slate (SL)	RAL Paint Colors A custom color chart is available for custom colors.	Can be applied to: Brass/Copper Overlays ARTISAN Can be applied to: Stainless Steel Charge for <i>each</i> hood or duct cover.	Brass Bands & L/T Copper Bands & L/T ARTISAN TRIM SS Bands & L/T Charge once for all trim on a hood and duct cover assembly.
Color Charges: ADD	NO CHARGE	503	1,340	1,821	503

BAND & LIP TREATMENT ATTACHMENTS

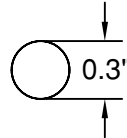
1/4" RIVETS



3D View



Side View



Top View

1/4" RIVETS ARE STANDARD ON 1" x 1" CONVEX/ CONCAVE CORNER BANDS.

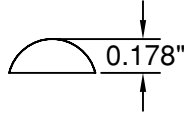
1/4" RIVETS ARE OPTIONAL ON 18 GA. LIP TREATMENT, 18 GA. VERTICAL BANDS, AND STRAIGHT CORNER BANDS. ADDITIONAL CHARGES MAY APPLY.

1/4" RIVETS ARE AVAILABLE IN ALL BAND FINISHES (PAINTED TO MATCH).

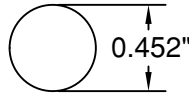
1/2" RIVETS



3D View



Side View



Top View

1/2" RIVETS ARE STANDARD ON 2" x 2" CONVEX/ CONCAVE CORNER BANDS AND ON HEAVY VERTICAL BANDS AND LIP TREATMENT.

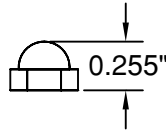
1/2" RIVETS ARE OPTIONAL ON 18 GA. LIP TREATMENT, 18 GA. VERTICAL BANDS, AND STRAIGHT CORNER BANDS. ADDITIONAL CHARGES MAY APPLY.

1/2" RIVETS ARE AVAILABLE IN ALL BAND FINISHES (PAINTED TO MATCH).

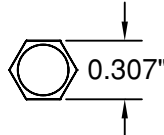
3/8" HEX NUTS



3D View



Side View

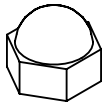


Top View

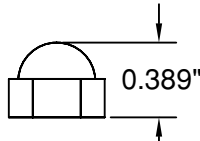
3/8" HEX NUTS ARE OPTIONAL ON 18 GA. LIP TREATMENT, 18 GA. VERTICAL BANDS, AND CORNER BANDS. ADDITIONAL CHARGES MAY APPLY.

3/8" HEX NUTS ARE AVAILABLE IN ALL BAND FINISHES (BRASS, STAINLESS STEEL, OR PAINTED TO MATCH).

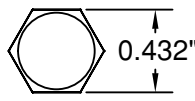
1/2" HEX NUTS



3D View



Side View

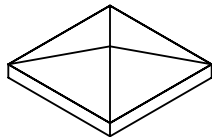


Top View

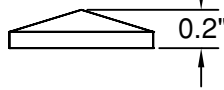
1/2" HEX NUTS ARE OPTIONAL ON 18 GA. LIP TREATMENT, 18 GA. VERTICAL BANDS, AND CORNER BANDS. ADDITIONAL CHARGES MAY APPLY.

1/2" HEX NUTS ARE AVAILABLE IN ALL BAND FINISHES (BRASS, STAINLESS STEEL, OR PAINTED TO MATCH).

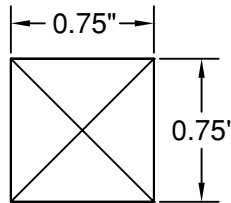
3/4" PYRAMID CLAVOS



3D View



Side View



Top View

3/4" PYRAMID CLAVOS ARE OPTIONAL ON 18 GA. LIP TREATMENT, 18 GA. VERTICAL BANDS, AND CORNER BANDS. ADDITIONAL CHARGES MAY APPLY.

3/4" PYRAMID CLAVOS ARE AVAILABLE IN COPPER AND STAINLESS STEEL FINISHES.

3/4" PYRAMID CLAVOS CAN BE ROTATED 45 DEGREES FOR A MORE DECORATIVE APPEARANCE. NOTE: 3/4" PYRAMID CLAVOS ARE OVER 1" WIDE WHEN TURNED TO A 45 DEGREE "DIAMOND" ANGLE.

NOTE: SECTION TITLES ARE ROUNDED FOR CONVENIENCE PURPOSES AND DO NOT REPRESENT EXACT SIZES.

STANDARD BAND & LIP TREATMENT ATTACHMENT METHODS

BAND/LIP TREATMENT	STANDARD ATTACHMENT	ADDITIONAL ATTACHMENT OPTIONS
18 Ga. Vertical Band/Lip Treatment	Laminate	1/4" Rivets, 1/2 Rivets, 3/8" Hex Nuts, 1/2" Hex Nuts, and 3/4" Pyramid Clavos
1/8" x 1" Vertical Band/Lip Treatment	1/2" Rivets	Laminate
1/4" x 1" Vertical Band/Lip Treatment	1/2" Rivets	Laminate
Straight Corner Band	Laminate	1/4" Rivets, 1/2" Rivets, 3/8" Hex Nuts, 1/2" Hex Nuts, and 3/4" Pyramid Clavos
Convex or Concave Corner Band	1" x 1" - 1/4" Rivets, 2" x 2" - 1/2" Rivets	1/2" Rivets, 3/8" Hex Nuts, 1/2" Hex Nuts, and 3/4" Pyramid Clavos

Decorative attachments will be placed by the factory for best appearance. To specify locations, add per inch

MAP - CAN

3/17/25

12.00

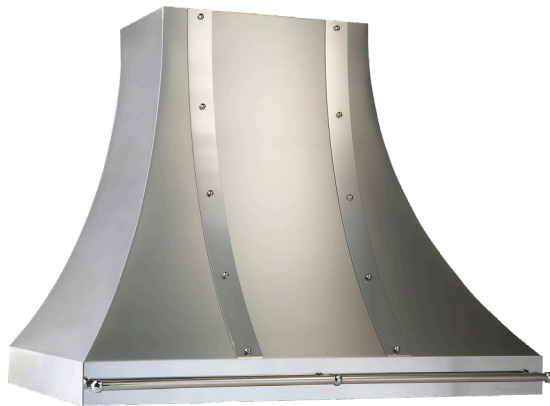
Page 57

THE INFORMATION IN THIS DOCUMENT IS SUBJECT TO CHANGE AT ANY TIME WITHOUT NOTICE.

DESIGNER SERIES HOOD TRIMS



DESIGNER SERIES HOOD TRIMS



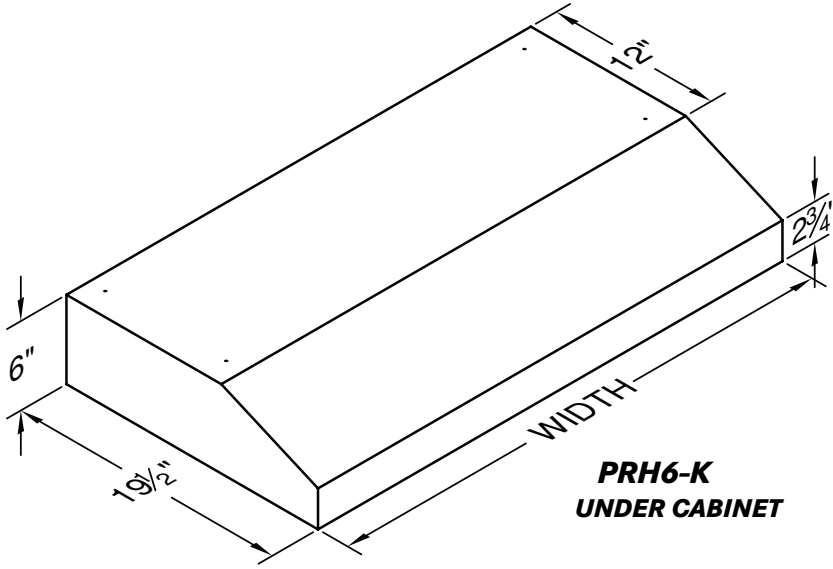
Vent-A-Hood[®]

**POWER LUNG
RANGE HOODS**

V-LINE UNDER CABINET & LINER INSERT

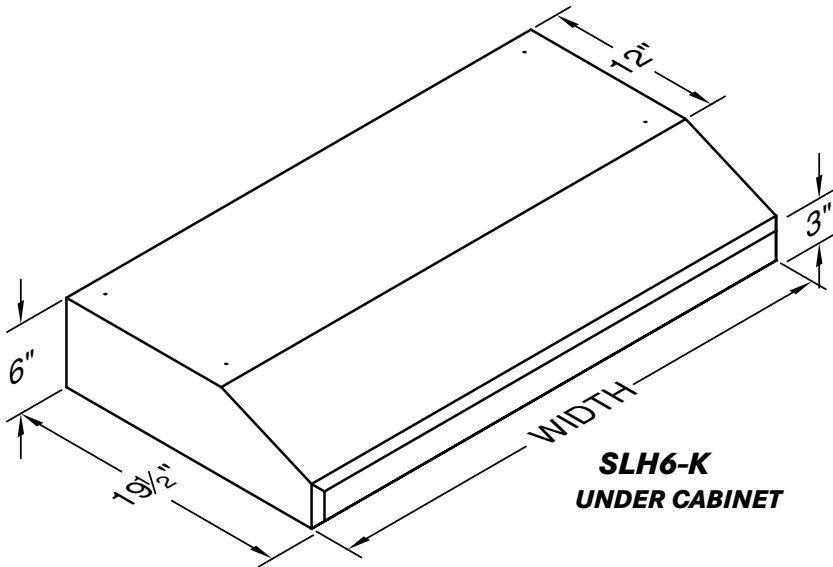
REC. MOUNTING HEIGHT FROM
COOKING SURFACE: 21"-24"

OPTIONAL TRANSITION TO 7" ROUND: VP521



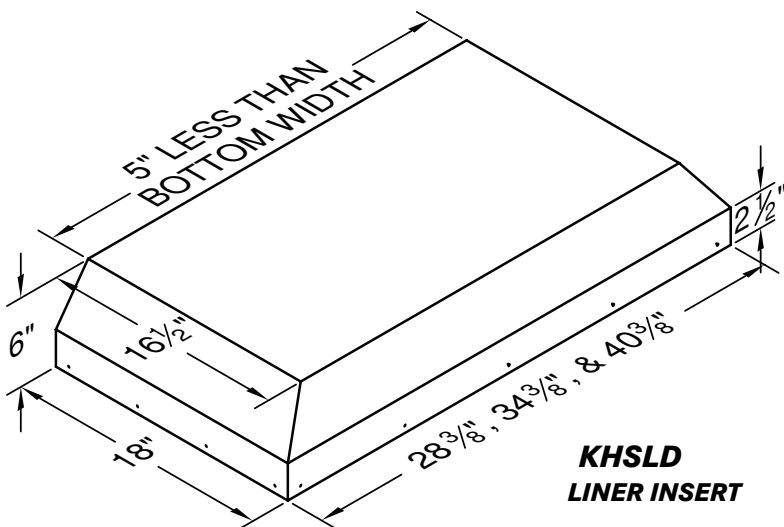
PRH6-K

Model No.	CFM	Width	Painted	Stainless	# Lts
PRH6-K24	250	24"	967	1,163	2
PRH6-K30		30"	967	1,163	2
PRH6-K36		36"	967	1,163	2
PRH6-K42		42"	1,135	1,407	3



SLH6-K

Model No.	CFM	Width	Painted	Stainless	# Lts
SLH6-K24	250	24"	967	1,163	2
SLH6-K30		30"	967	1,163	2
SLH6-K36		36"	967	1,163	2
SLH6-K42		42"	1,135	1,407	3



KHSLD

Model No.	CFM	Width	Painted	Stainless	# Lts
KH28SLD	250	28 3/8"	899	1,149	2
KH34SLD		34 3/8"	899	1,149	2
KH40SLD		40 3/8"	1,149	1,379	2

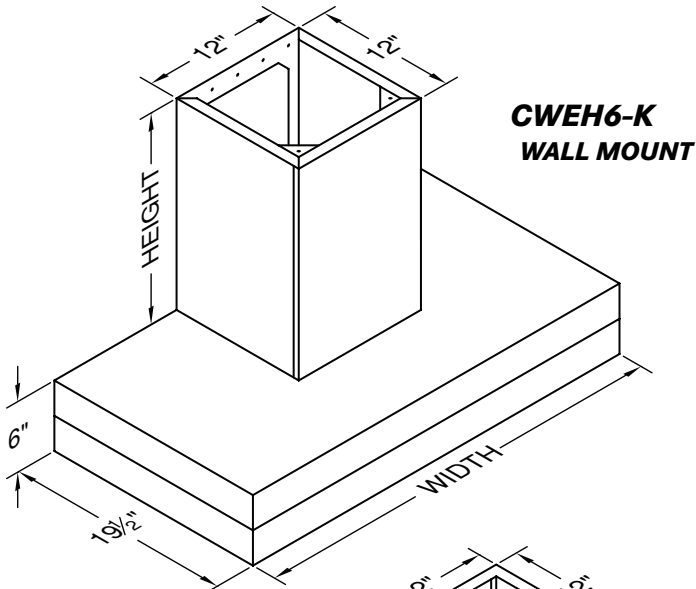
OPTIONAL TRIM KITS

Model No.	Width	Painted	Stainless
TKK28SLD	28-3/8"	40.00	40.00
TKK34SLD	34-3/8"	40.00	40.00
TKK40SLD	40-3/8"	42.00	42.00

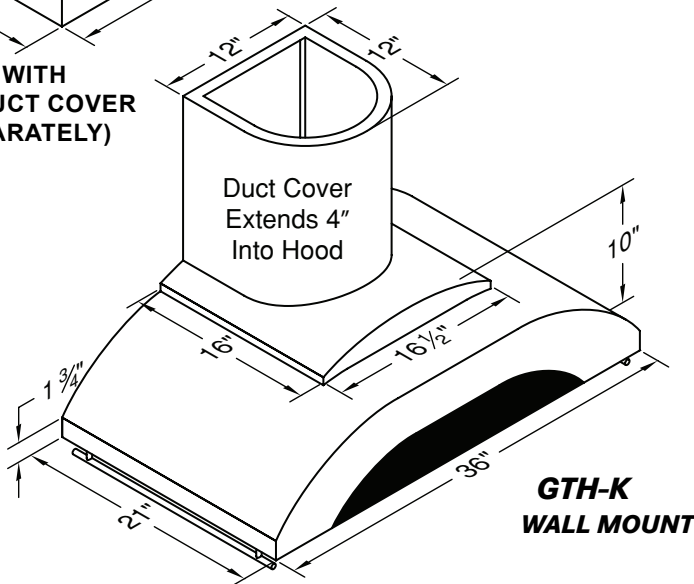
V-LINE CONTEMPORARY WALL MOUNT & ISLAND

REC. MOUNTING HEIGHT FROM COOKING SURFACE:
CWEH6-K & GTH-K: 24", CIEH6-K: 30"

OPTIONAL TRANSITION TO 7" ROUND: VP521



SHOWN WITH
MATCHING DUCT COVER
(SOLD SEPARATELY)



CWEH6-K

Model No.	CFM	Width	Painted	Stainless	# Lts
CWEH6-K30	250	30"	1,740	2,211	2
CWEH6-K36		36"	1,740	2,211	2
CWEH6-K42		42"	2,032	2,586	3
CWEH6-K48		48"	2,132	2,686	3

DUCT COVERS FOR CWEH6-K

Model No.	Width	Height	Painted	Stainless	Ceiling
W6DCRND-12/18	12"	18"	859	969	7'
W6DCRND-12/30		30"	978	1,160	8'
W6DCRND-12/42		42"	1,096	1,351	9'
CUSTOM	WIDTH X HEIGHT X PLUS		1.00	1.50	734
	FINISHED TOP		WIDTH X DEPTH X PLUS		1.00 1.50
SLOPED TOP •	ADD		734		

CEILING BASED ON REC. MAXIMUM HOOD MOUNTING HEIGHT.
• SPECIFY FRONT TO BACK OR LEFT TO RIGHT DIMENSIONS.

GTH-K

Model No.	CFM	Width	Stainless	# Lts
GTH-K36	250	36"	2,132	2

DUCT COVERS FOR GTH-K

Model No.	Width	Height	Stainless	Ceiling
WGDC-12/18	12"	18"	1,043	7'
WGDC-12/30		30"	1,256	8'
WGDC-12/42		42"	1,469	9'
CUSTOM	WIDTH X HEIGHT X PLUS		1.50	734

CEILING BASED ON REC. MAXIMUM HOOD MOUNTING HEIGHT.

GTH-K VARIATIONS

REMOVE FIXED LENGTH SS RAIL	
ADD	428

CIEH6-K

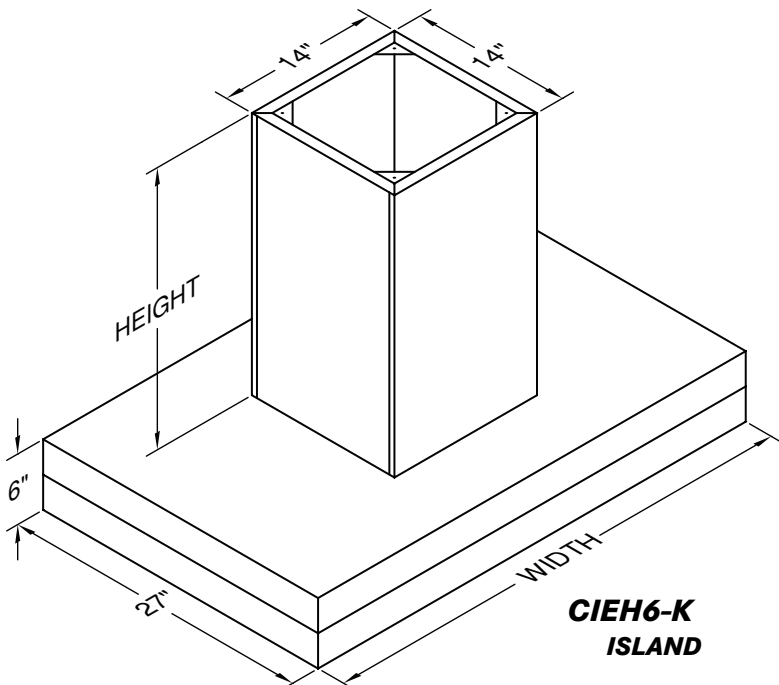
Model No.	CFM	Width	Painted	Stainless	# Lts
CIEH6-K36	250	36"	2,869	4,249	4
CIEH6-K42		42"	3,023	4,481	4

DUCT COVERS FOR CIEH6-K

Model No.	Width	Height	Painted	Stainless	Ceiling
IDCRND-14/24	14"	24"	1,070	1,195	8'
IDCRND-14/36		36"	1,256	1,445	9'
CUSTOM	WIDTH X HEIGHT X PLUS		1.00	2.00	734
	SLOPED TOP •		ADD 734		

CEILING BASED ON REC. MAXIMUM HOOD MOUNTING HEIGHT.
• SPECIFY FRONT TO BACK OR LEFT TO RIGHT DIMENSIONS.

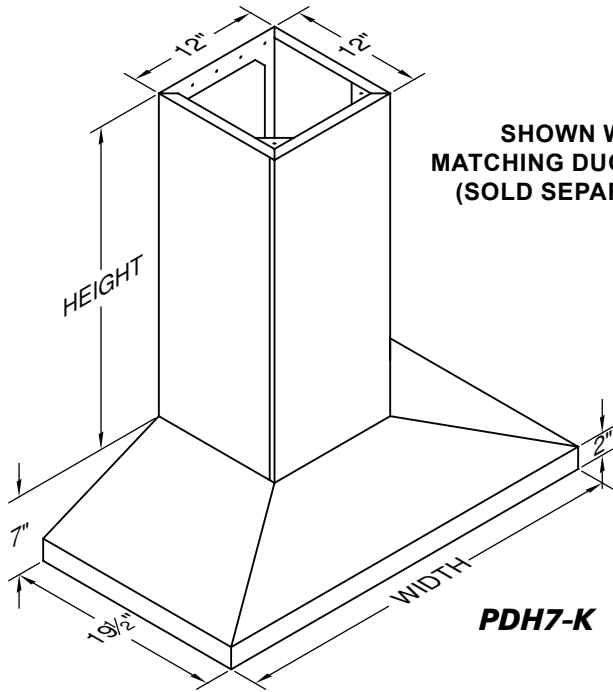
SHOWN WITH
MATCHING DUCT COVER
(SOLD SEPARATELY)



V-LINE EURO-STYLE WALL MOUNT

REC. MOUNTING HEIGHT FROM
COOKING SURFACE: 24"

PDH7-K OPTIONAL TRANSITION TO 7" ROUND: VP521
PDH14-K: TRANSITION TO 7" ROUND INCLUDED



SHOWN WITH
MATCHING DUCT COVER
(SOLD SEPARATELY)

PDH7-K

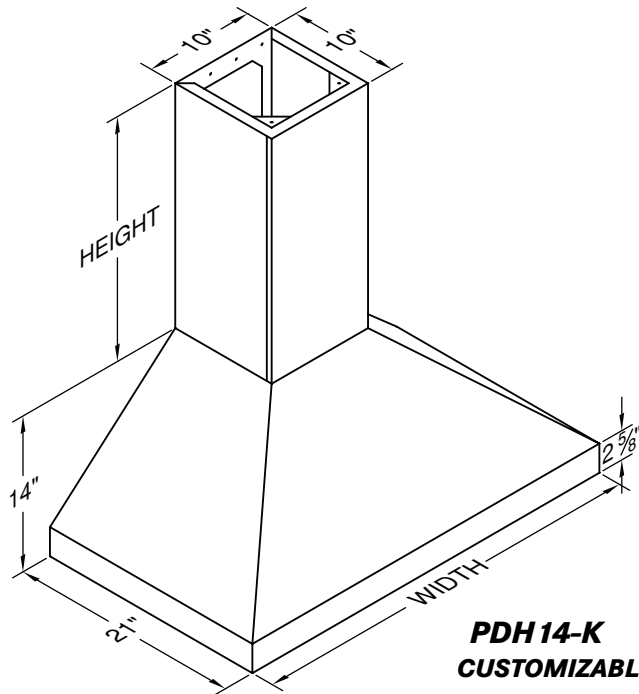
PDH7-K

Model No.	CFM	Width	Painted	Stainless	# Lts
PDH7-K30	250	30"	1,740	2,211	2
PDH7-K36		36"	1,740	2,211	2

DUCT COVERS FOR PDH7-K

Model No.	Width	Height	Painted	Stainless	Ceiling
W7DCRND-12/17	12"	17"	852	949	7'
W7DCRND-12/29		29"	975	1,140	8'
W7DCRND-12/41		41"	1,093	1,330	9'
CUSTOM	WIDTH X HEIGHT X PLUS		1.00	1.50	734
	WIDTH X DEPTH X PLUS		1.00	1.50	
FINISHED TOP	WIDTH X DEPTH X PLUS		428		734
	SLOPED TOP • ADD				

CEILING BASED ON REC. MAXIMUM HOOD MOUNTING HEIGHT.
• SPECIFY FRONT TO BACK OR LEFT TO RIGHT DIMENSIONS.



SHOWN WITH
MATCHING DUCT COVER
(SOLD SEPARATELY)

**PDH14-K
CUSTOMIZABLE!**

PDH14-K

Model No.	CFM	Width	Painted	Stainless	Overlay •	# Lts
PDH14-K30	250	30"	1,916	2,649	3,808	2
PDH14-K36		36"	1,955	2,709	3,951	2
PDH14-K42		42"	2,057	2,908	4,318	3
PDH14-K48		48"	2,152	3,015	4,543	3

• FOR OVERLAY HOODS, SPECIFY INTERIOR COLOR.
VP521 TRANSITION TO 7" ROUND INCLUDED.

DUCT COVERS FOR PDH14-K

Model No.	Width	Height	Painted	Stainless	Overlay	Ceiling
WDCRND-10/10	10"	10"	748	814	879	7'
WDCRND-10/22		22"	857	969	1,122	8'
WDCRND-10/34		34"	969	1,122	1,363	9'
CUSTOM	WIDTH X HEIGHT X PLUS		1.00	1.50	2.00	734
	WIDTH X DEPTH X PLUS		1.00	1.50	2.00	
FINISHED TOP	WIDTH X DEPTH X PLUS		369		734	
	SLOPED TOP • ADD					

CEILING BASED ON REC. MAXIMUM HOOD MOUNTING HEIGHT.
• SPECIFY FRONT TO BACK OR LEFT TO RIGHT DIMENSIONS.

PDH14-K EURO-STYLE WALL MOUNT HOOD VARIATIONS

SPECIAL WIDTH (LESS THAN 48") USE NEXT LARGEST SIZE ON PRICE LIST, PLUS 428				STAINLESS STEEL INTERIOR ON OVERLAY HOOD SUBTRACT PAINTED HOOD PRICE FROM STAINLESS HOOD PRICE	
DEPTH OVER 21"				CUSTOM COLOR (SEE CUSTOM COLOR CHART) ADD 1340	
WIDTH X EXTRA DEPTH X PLUS	PAINTED 2.00	STAINLESS 3.00	OVERLAY 4.00	TRIM OPTIONS SEE PAGES 56-57 FOR FINISH AND TRIM OPTIONS	
		734			

Vent-A-Hood[®]

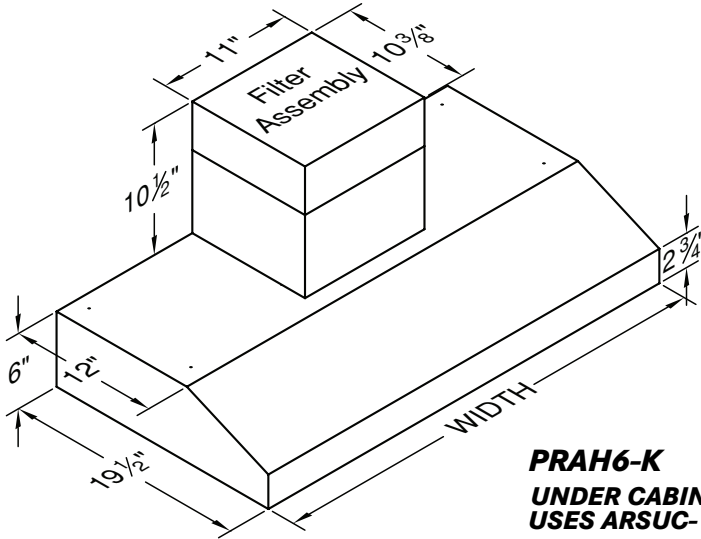
ARS DUCT FREE RANGE HOODS



ARS DUCT FREE UNDER CABINET & LINER INSERT

REC. MOUNTING HEIGHT FROM
COOKING SURFACE: 21"-24"

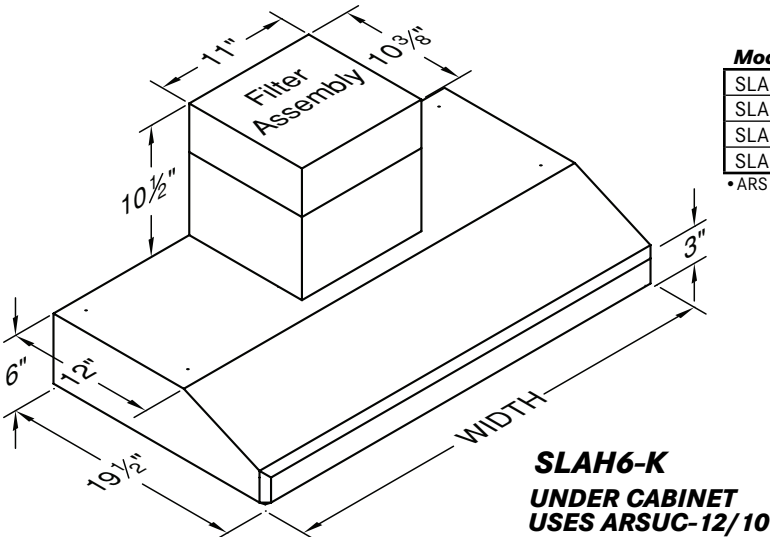
ARS FILTER KIT REQUIRED
(SOLD SEPARATELY)



PRAH6-K

Model No.	ARS Kit •	Width	Painted	Stainless	# Lts
PRAH6-K24	ARSUC-12/10	24"	986	1,185	2
PRAH6-K30		30"	986	1,185	2
PRAH6-K36		36"	986	1,185	2
PRAH6-K42		42"	1,157	1,433	3

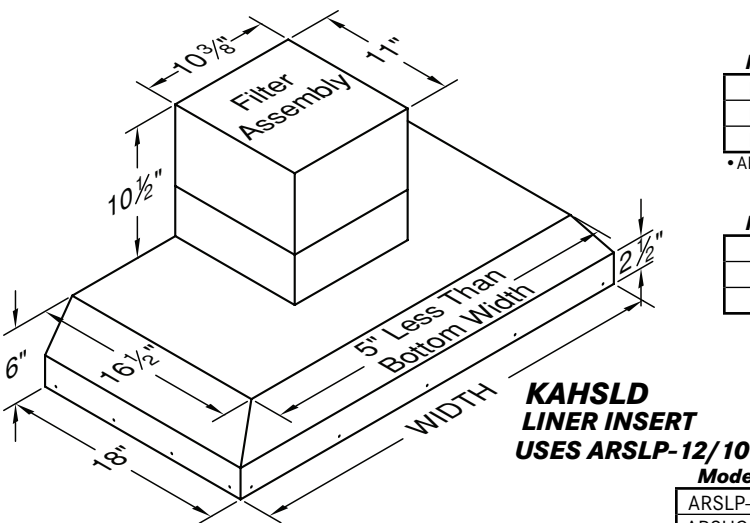
•ARS KIT IS REQUIRED FOR INSTALLATION, SOLD SEPARATELY.



SLAH6-K

Model No.	ARS Kit •	Width	Painted	Stainless	# Lts
SLAH6-K24	ARSUC-12/10	24"	986	1,185	2
SLAH6-K30		30"	986	1,185	2
SLAH6-K36		36"	986	1,185	2
SLAH6-K42		42"	1,157	1,433	3

•ARS KIT IS REQUIRED FOR INSTALLATION, SOLD SEPARATELY.



KAHSLD

Model No.	ARS Kit •	Width	Painted	Stainless	# Lts
KAH28SLD	ARSLP-12/10	28 3/8"	883	1,079	2
KAH34SLD		34 3/8"	883	1,079	2
KAH40SLD		40 3/8"	1,048	1,264	2

•ARS KIT IS REQUIRED FOR INSTALLATION, SOLD SEPARATELY.

OPTIONAL TRIM KITS

Model No.	Width	Painted	Stainless
TKK28SLD	28-3/8"	40.00	40.00
TKK34SLD	34-3/8"	40.00	40.00
TKK40SLD	40-3/8"	42.00	42.00

ARS FILTER KITS

Model No.	Description	Price
ARSLP-12/10	ARS Filter Assembly - Low Profile (Replaces ARSLP-12)	501
ARSUC-12/10	ARS Filter Assembly - Under Cabinet (Replaces ARSUC-12)	501

ARS FILTER REPLACEMENT PARTS

Model No.	Description	Price
PARS-12/10	H.E. Filter Assembly (Replaces PARS-12)	380
PARS-C	Replacement Activated Carbon Pellets	121

THE H.E. FILTER ASSEMBLY AND ACTIVATED CARBON MEDIA SHOULD BE CHANGED AS NEEDED BASED ON USAGE.

3/17/25

MAP - CAN

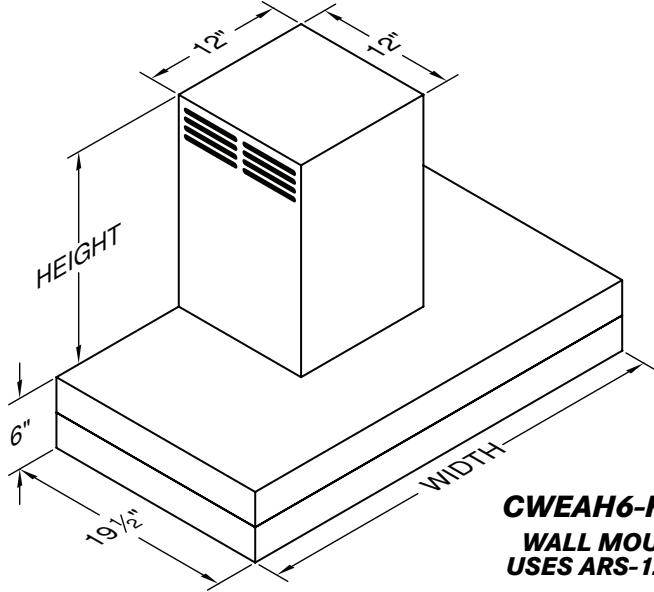
THE INFORMATION IN THIS DOCUMENT IS SUBJECT TO CHANGE AT ANY TIME WITHOUT NOTICE.

Page 65

ARS DUCT FREE CONTEMPORARY WALL MOUNT & ISLAND

REC. MOUNTING HEIGHT FROM COOKING SURFACE:
CWEAH6-K: 21"-24", CIEAH6-K: 30"

ARS FILTER KIT REQUIRED
(SOLD SEPARATELY)



CWEAH6-K
WALL MOUNT
USES ARS-12/10

CWEAH6-K

Model No.	ARS Kit •	Width	Painted	Stainless	# Lts
CWEAH6-K30	ARS-12/10	30"	1,618	2,048	2
CWEAH6-K36		36"	1,618	2,048	2
CWEAH6-K42		42"	1,874	2,391	3
CWEAH6-K48		48"	1,962	2,453	3

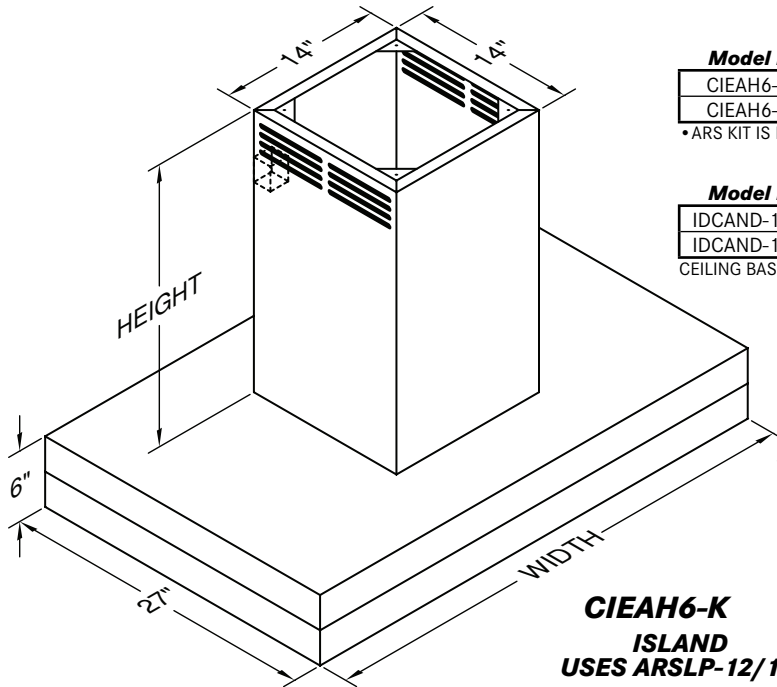
•ARS KIT IS REQUIRED FOR INSTALLATION, SOLD SEPARATELY.

DUCT COVERS FOR CWEAH6-K

Model No.	Width	Height	Painted	Stainless	Ceiling
W6DCAND-12/18	12"	18"	1,122	1,208	7'
W6DCAND-12/30		30"	1,230	1,383	8'
W6DCAND-12/42		42"	1,340	1,539	9'

CEILING BASED ON REC. MAXIMUM HOOD MOUNTING HEIGHT.

SHOWN WITH MATCHING DUCT
COVER AND ARS-12/10 FILTER
KIT (SOLD SEPARATELY)



CIEAH6-K
ISLAND
USES ARSLP-12/10

CIEAH6-K

Model No.	ARS Kit •	Width	Painted	Stainless	# Lts
CIEAH6-K36	ARSLP-12/10	36"	2,925	3,898	4
CIEAH6-K42		42"	3,080	4,109	4

•ARS KIT IS REQUIRED FOR INSTALLATION, SOLD SEPARATELY.

DUCT COVERS FOR CIEAH6-K

Model No.	Width	Height	Painted	Stainless	Ceiling
IDCAND-14/24	14"	24"	1,299	1,428	8'
IDCAND-14/36		36"	1,487	1,677	9'

CEILING BASED ON REC. MAXIMUM HOOD MOUNTING HEIGHT.

SHOWN WITH MATCHING DUCT
COVER AND ARSLP-12 FILTER
KIT (SOLD SEPARATELY)

ARS FILTER KITS

Model No.	Description	Price
ARS-12/10	ARS Filter Assembly for CWEAH6-K (Replaces ARS-12)	800
ARSLP-12/10	ARS Filter Assembly - Low Profile (Replaces ARSLP-12)	501

ARS FILTER REPLACEMENT PARTS

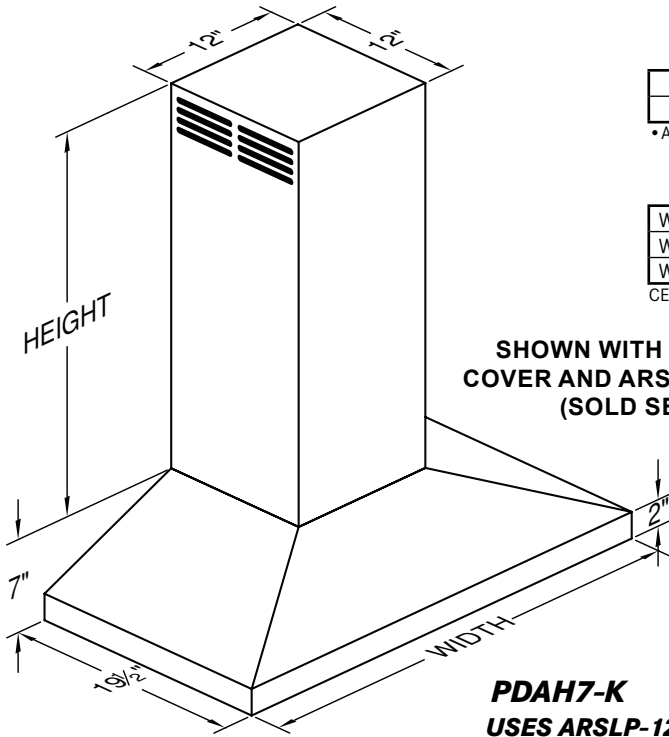
Model No.	Description	Price
PARS-12/10	H.E. Filter Assembly (Replaces PARS-12)	380
PARS-C	Replacement Activated Carbon Pellets	121

THE H.E. FILTER ASSEMBLY AND ACTIVATED CARBON MEDIA SHOULD BE CHANGED AS NEEDED
BASED ON USAGE.

ARS DUCT FREE EURO-STYLE WALL MOUNT

REC. MOUNTING HEIGHT FROM
COOKING SURFACE: 24"

ARS FILTER KIT REQUIRED
(SOLD SEPARATELY)



PDAH7-K

Model No.	ARS Kit •	Width	Painted	Stainless	# Lts
PDAH7-K30	ARSLP-12/10	30"	1,840	2,338	2
PDAH7-K36		36"	1,840	2,338	2

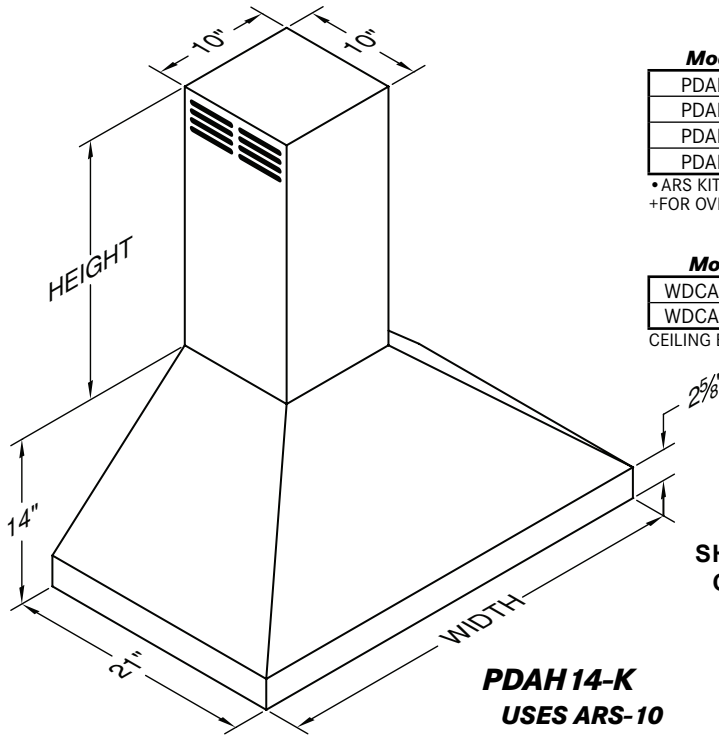
•ARS KIT IS REQUIRED FOR INSTALLATION, SOLD SEPARATELY.

DUCT COVERS FOR PDAH7-K

Model No.	Width	Height	Painted	Stainless	Ceiling
W7DCAND-12/17	12"	17"	1,112	1,195	7'
W7DCAND-12/29		29"	1,220	1,371	8'
W7DCAND-12/41		41"	1,332	1,525	9'

CEILING BASED ON REC. MAXIMUM HOOD MOUNTING HEIGHT.

SHOWN WITH MATCHING DUCT
COVER AND ARSLP-12/10 FILTER KIT
(SOLD SEPARATELY)



PDAH14-K

Model No.	ARS Kit •	Width	Painted	Stainless	Overlay+	# Lts
PDAH14-K30	ARS-10	30"	2,026	2,799	4,026	2
PDAH14-K36		36"	2,066	2,863	4,176	2
PDAH14-K42		42"	2,174	3,074	4,564	3
PDAH14-K48		48"	2,276	3,187	4,802	3

•ARS KIT IS REQUIRED FOR INSTALLATION, SOLD SEPARATELY.
+FOR OVERLAY HOODS, SPECIFY INTERIOR COLOR.

DUCT COVERS FOR PDAH14-K

Model No	Width	Height	Painted	Stainless	Overlay	Ceiling
WDCAND-10/22	10"	22"	1,122	1,230	1,363	8'
WDCAND-10/34		34"	1,208	1,363	1,585	9'

CEILING BASED ON REC. MAXIMUM HOOD MOUNTING HEIGHT.

SHOWN WITH MATCHING DUCT
COVER AND ARS FILTER KIT
(SOLD SEPARATELY)

PDAH14-K
USES ARS-10

ARS FILTER KITS

Model No.	Description	Price
ARS-10	ARS Filter Assembly for PDAH14-K	800
ARSLP-12/10	ARS Filter Assembly - Low Profile (Replaces ARSLP-12)	501

ARS FILTER REPLACEMENT PARTS

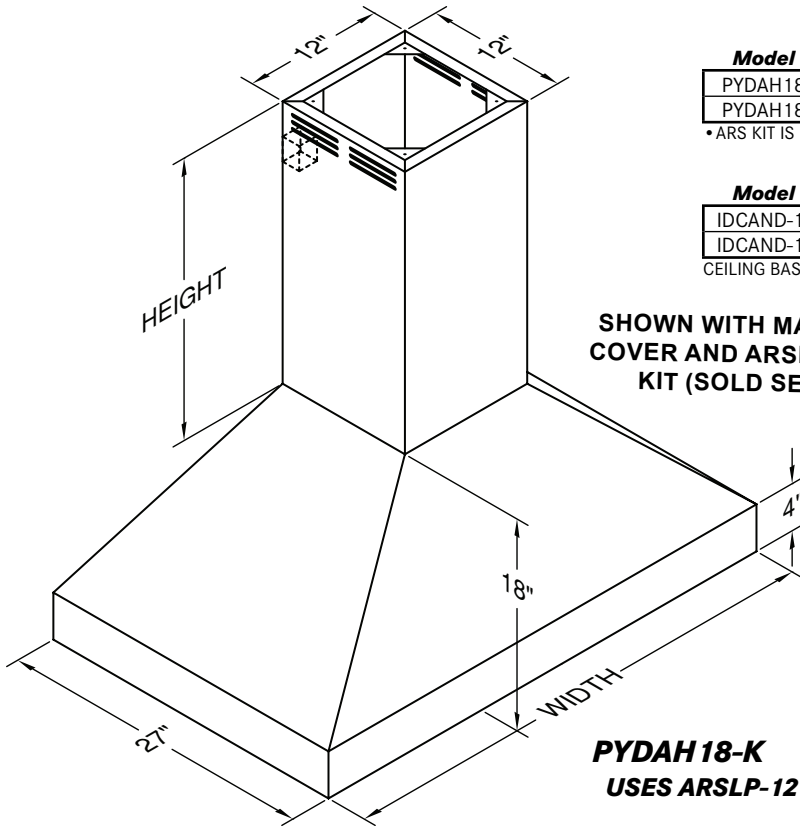
Model No.	Description	Price
PARS-12/10	H.E. Filter Assembly (Replaces PARS-12)	380
PARS-C	Replacement Activated Carbon Pellets	121

THE H.E. FILTER ASSEMBLY AND ACTIVATED CARBON MEDIA SHOULD BE CHANGED AS NEEDED BASED ON USAGE.

ARS DUCT FREE EURO-STYLE ISLAND

REC. MOUNTING HEIGHT FROM
COOKING SURFACE: 30"

ARS FILTER KIT REQUIRED
(SOLD SEPARATELY)



SHOWN WITH MATCHING DUCT
COVER AND ARSLP-12/10 FILTER
KIT (SOLD SEPARATELY)

PYDAH 18-K
USES ARSLP-12

PYDAH 18-K

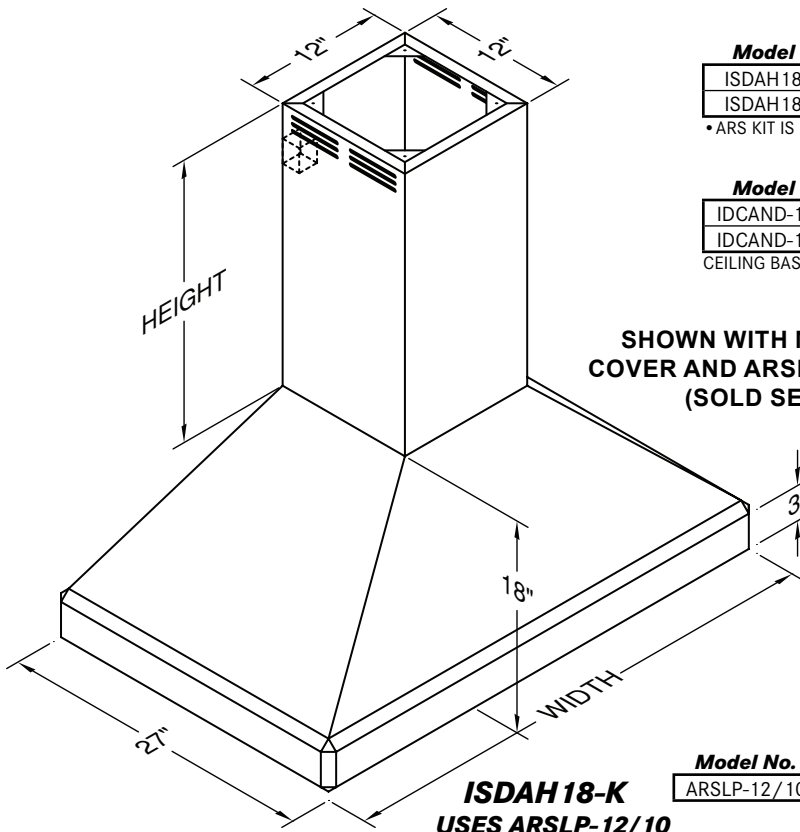
Model No.	ARS Kit •	Width	Painted	Stainless	# Lts
PYDAH 18-K36	ARSLP-12/10	36"	4,822	6,562	4
PYDAH 18-K42		42"	5,029	6,839	4

• ARS KIT IS REQUIRED FOR INSTALLATION, SOLD SEPARATELY.

DUCT COVERS FOR PYDAH 18-K

Model No.	Width	Height	Painted	Stainless	Ceiling
IDCAND-12/24	12"	24"	1,253	1,411	9'
IDCAND-12/36		36"	1,366	1,568	10'

CEILING BASED ON REC. MAXIMUM HOOD MOUNTING HEIGHT.



SHOWN WITH MATCHING DUCT
COVER AND ARSLP-12/10 FILTER
KIT (SOLD SEPARATELY)

ISDAH 18-K
USES ARSLP-12/10

ISDAH 18-K

Model No.	ARS Kit •	Width	Painted	Stainless	# Lts
ISDAH 18-K36	ARSLP-12/10	36"	5,712	7,502	4
ISDAH 18-K42		42"	5,915	7,778	4

• ARS KIT IS REQUIRED FOR INSTALLATION, SOLD SEPARATELY.

DUCT COVERS FOR ISDAH 18-K

Model No.	Width	Height	Painted	Stainless	Ceiling
IDCAND-12/24	12"	24"	1,253	1,411	9'
IDCAND-12/36		36"	1,366	1,568	10'

CEILING BASED ON REC. MAXIMUM HOOD MOUNTING HEIGHT.

ARS FILTER KITS

Model No.	Description	Price
ARSLP-12/10	ARS Filter Assembly - Low Profile (Replaces ARSLP-12)	501

ARS FILTER REPLACEMENT PARTS

Model No.	Description	Price
PARS-12/10	H.E. Filter Assembly (Replaces PARS-12)	380
PARS-C	Replacement Activated Carbon Pellets	121

THE H.E. FILTER ASSEMBLY AND ACTIVATED CARBON MEDIA SHOULD BE CHANGED AS NEEDED
BASED ON USAGE.

MAP - CAN

3/17/25

Vent-A-Hood[®]

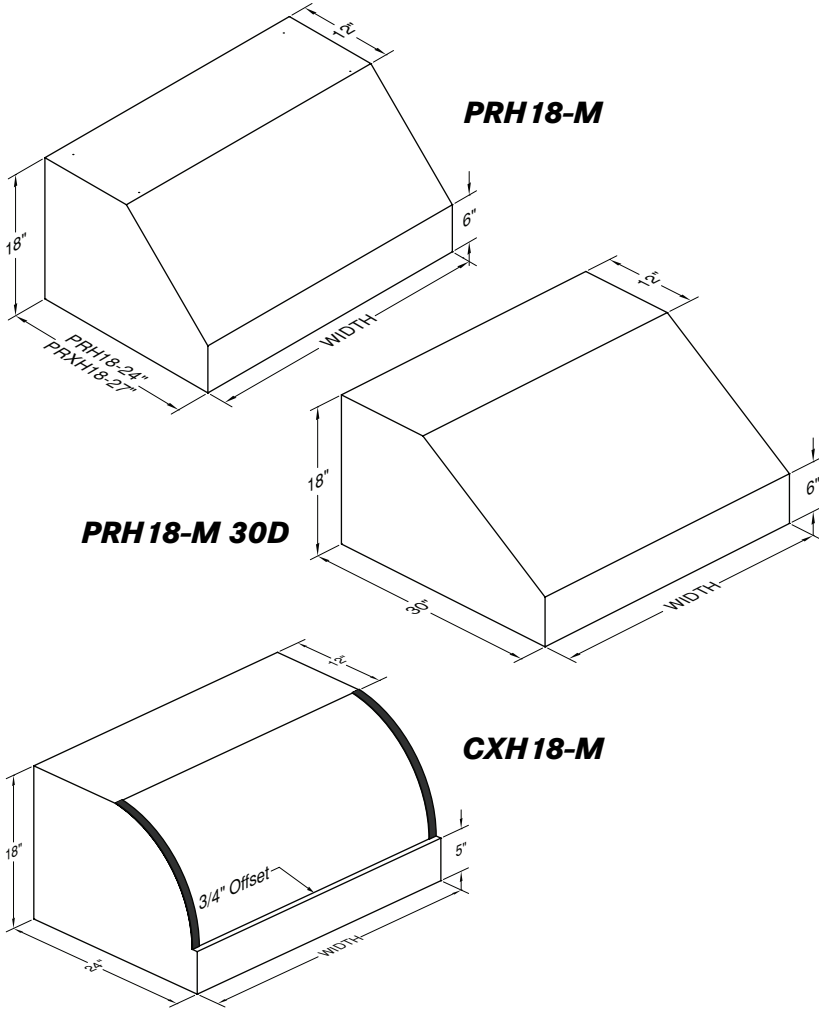
M SERIES RANGE HOODS



M SERIES WALL MOUNT

REC. MOUNTING HEIGHT FROM
COOKING SURFACE: 30"

BLOWER ASSEMBLY REQUIRED
(SOLD SEPARATELY)



PRH 18-M/PRXH 18-M

Model No.	Width	Price	# Lts	Filters
PRH 18-M30 SS	30"	2,165	2	2
PRH 18-M36 SS	36"	2,203	2	2
PRH 18-M42 SS	42"	2,381	2	2
PRH 18-M48 SS	48"	2,513	3	3
PRH 18-M54 SS	54"	3,072	4	3
PRH 18-M60 SS	60"	3,335	4	4
PRH 18-M66 SS	66"	3,562	4	4

FOR 27" DEEP MODEL, ORDER PRXH18-M (NO ADDITIONAL COST)
BLOWER SOLD SEPARATELY
STAINLESS STEEL BAFFLE FILTERS AND GU10 LIGHTING INCLUDED.

PRH 18-M 30"D

Model No.	Width	Price	# Lts	Filters
PRH 18-M36x30 SS	36"	3,257	2	2
PRH 18-M42x30 SS	42"	3,583	2	2
PRH 18-M48x30 SS	48"	3,827	3	3
PRH 18-M54x30 SS	54"	4,509	4	3

BLOWER SOLD SEPARATELY

CXH 18-M

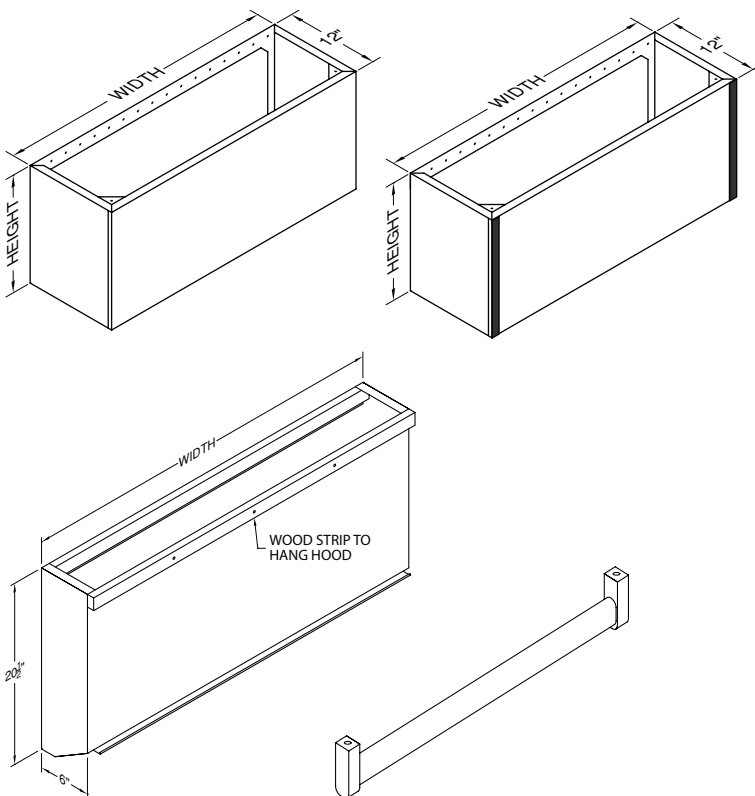
Model No.	Width	Price	# Lts	Filters
CXH 18-M30 SS	30"	2,767	2	2
CXH 18-M36 SS	36"	2,804	2	2
CXH 18-M42 SS	42"	2,993	2	2
CXH 18-M48 SS	48"	3,219	3	3
CXH 18-M54 SS	54"	3,721	4	3
CXH 18-M60 SS	60"	4,003	4	4
CXH 18-M66 SS	66"	4,356	4	4

BLOWER SOLD SEPARATELY
STAINLESS STEEL BAFFLE FILTERS AND GU10 LIGHTING INCLUDED.
1" STAINLESS STEEL BANDS INCLUDED.

WALL MOUNT DUCT COVER OPTIONS

Model No.	Width	Height	Price	Ceiling
WDCM-30 SS	30"	12"	843	8'
WDCM-30/24 SS		24"	1,193	9'
WDCM-30/36 SS		36"	1,544	10'
WDCM-36 SS	36"	12"	912	8'
WDCM-36/24 SS		24"	1,333	9'
WDCM-36/36 SS		36"	1,749	10'
WDCM-42 SS	42"	12"	985	8'
WDCM-42/24 SS		24"	1,475	9'
WDCM-42/36 SS		36"	1,960	10'
WDCM-48 SS	48"	12"	1,052	8'
WDCM-48/24 SS		24"	1,612	9'
WDCM-48/36 SS		36"	2,169	10'
WDCM-54 SS	54"	12"	1,123	8'
WDCM-60 SS	60"	12"	1,193	8'
WDCM-66 SS	66"	12"	1,264	8'

USE XDCM MODEL NUMBER PREFIX FOR CXH 18-M HOODS.
1" STAINLESS STEEL BANDS INCLUDED ON XDCM MODELS.
CEILING BASED ON REC. MAXIMUM HOOD MOUNTING HEIGHT.



M SERIES BBQ EXTENSION

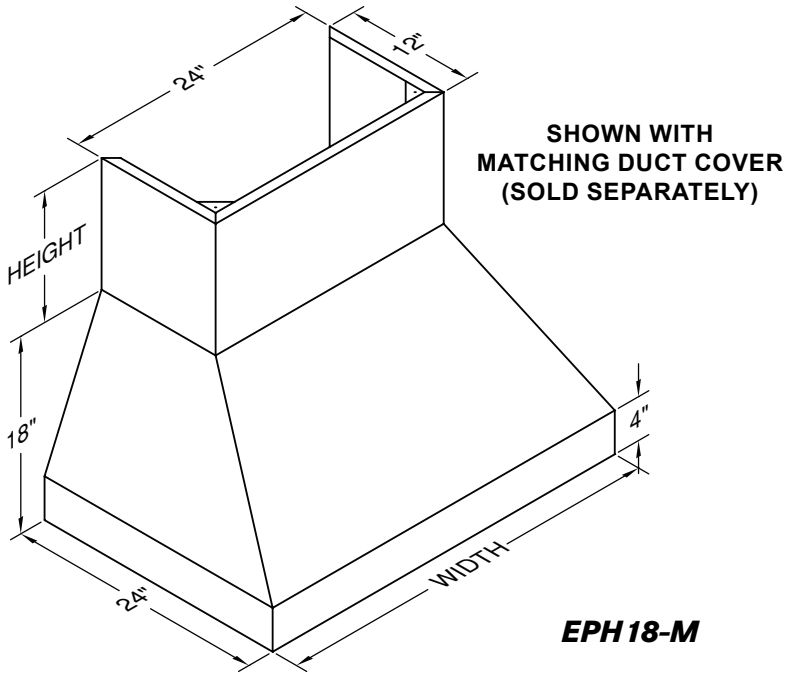
Model No.	Width	Price	WR Rail	Price
BBE-M30 SS	30"	742	WR-M30	164
BBE-M36 SS	36"	873	WR-M36	183
BBE-M42 SS	42"	956	WR-M42	183
BBE-M48 SS	48"	1,022	WR-M48	194
BBE-M54 SS	54"	1,097	WR-M54	194
BBE-M60 SS	60"	1,171	WR-M60	194

WR RAIL SOLD SEPARATELY
FOR USE ON CXH 18-M, PRH 18-M, AND PRXH 18-M

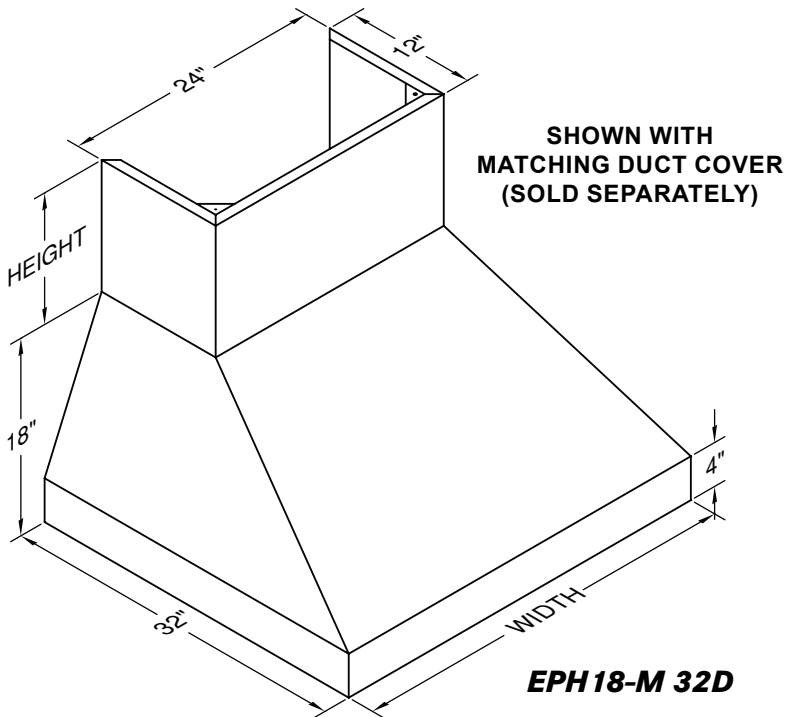
M SERIES EURO-STYLE WALL MOUNT

REC. MOUNTING HEIGHT FROM
COOKING SURFACE: 30"

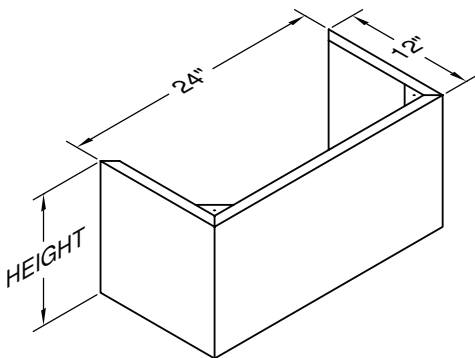
BLOWER ASSEMBLY REQUIRED
(SOLD SEPARATELY)



EPH 18-M



EPH 18-M 32D



EPH 18-M

Model No.	Width	Price	# Lts	Filters
EPH 18-M36 SS	36"	2,826	2	2
EPH 18-M42 SS	42"	3,096	2	2
EPH 18-M48 SS	48"	3,290	3	3

BLOWER SOLD SEPARATELY
STAINLESS STEEL BAFFLE FILTERS AND GU10 LIGHTING INCLUDED.

EPH 18-M 32"D

Model No.	Width	Price	# Lts	Filters
EPH 18-M36X32 SS	36"	4,151	2	2
EPH 18-M42X32 SS	42"	4,531	2	2
EPH 18-M48X32 SS	48"	4,829	3	3

BLOWER SOLD SEPARATELY
STAINLESS STEEL BAFFLE FILTERS AND GU10 LIGHTING INCLUDED.

EURO WALL MOUNT DUCT COVERS

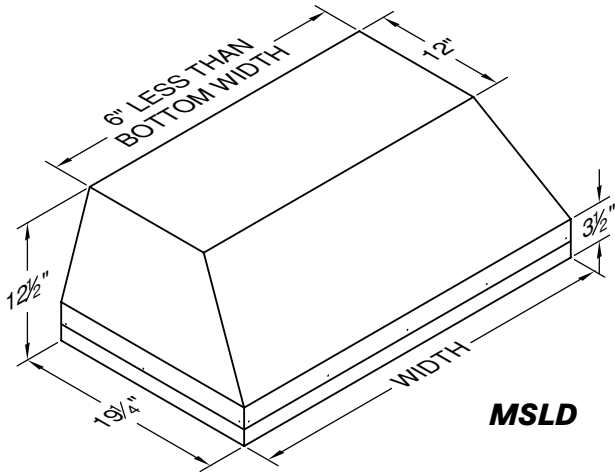
Model No.	Width	Height	Price	Ceiling
WDCM-24/12 SS	24"	12"	1,059	8'
WDCM-24/24 SS		24"	1,500	9'
WDCM-24/36 SS		36"	1,801	10'

CEILING BASED ON REC. MAXIMUM HOOD MOUNTING HEIGHT.

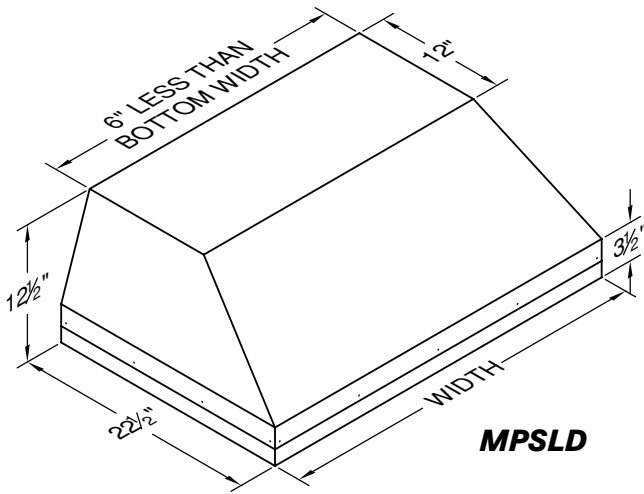
M SERIES WALL MOUNT LINER INSERTS & BLOWERS

REC. MOUNTING HEIGHT FROM COOKING SURFACE:
MSLD: 24"-27", MPLSD: 27"-30"

BLOWER ASSEMBLY REQUIRED
(SOLD SEPARATELY)



MSLD



MPLSD

MSLD

Model No.	Width	Price	# Lts	Filters
M28SLD SS	28 3/8"	1,123	2	2
M34SLD SS	34 3/8"	1,123	2	2
M40SLD SS	40 3/8"	1,243	2	2
M46SLD SS	46 3/8"	1,541	3	3
M52SLD SS	52 3/8"	2,675	3	3
M58SLD SS	58 3/8"	2,833	4	4
M64SLD SS	64 3/8"	3,233	4	4

BLOWER SOLD SEPARATELY
STAINLESS STEEL BAFFLE FILTERS AND GU10 LIGHTING INCLUDED.

MPLSD

Model No.	Width	Price	# Lts	Filters
M28PSLD SS	28 3/8"	1,123	2	2
M34PSLD SS	34 3/8"	1,123	2	2
M40PSLD SS	40 3/8"	1,243	2	2
M46PSLD SS	46 3/8"	1,541	3	3
M52PSLD SS	52 3/8"	2,675	3	3
M58PSLD SS	58 3/8"	2,833	4	4
M64PSLD SS	64 3/8"	3,233	4	4

BLOWER SOLD SEPARATELY
STAINLESS STEEL BAFFLE FILTERS AND GU10 LIGHTING INCLUDED.



M600

BLOWER OPTIONS

Model No.	CFM+	Amps	Price	Incl. •	Duct Size
M600	630	5.0	745	N/A	6" Round
M1200	1035	10.0	1,434	VP566	10" Round
WHM300*	300	5.0	25	N/A	6" Round
WHM400*	400	5.0	25	N/A	6" Round

+ CFM RATING IS AT 0.0" STATIC PRESSURE
• VP566 TRANSITION IS PACKAGED SEPARATELY FROM M1200 BLOWER
* WHM300 IS A HARNESS TO BE USED WITH THE M600 WHICH LIMITS TO 300 CFM
* WHM400 IS A HARNESS TO BE USED WITH THE M600 WHICH LIMITS TO 400 CFM



M1200

VENTING ACCESSORIES

PRICES DO NOT INCLUDE SHIPPING & HANDLING CHARGES.

WALL LOUVER			WALL LOUVER			WALL LOUVER			RECTANGULAR WALL LOUVER		
MODEL	DESCRIPTION	PRICE	MODEL	DESCRIPTION	PRICE	MODEL	DESCRIPTION	PRICE	MODEL	DESCRIPTION	PRICE
VP526	6" Round	\$124.00	VP554	10" Round	\$176.00	VP555	12" Round	\$176.00	VP538	6" x 8-1/2"	\$124.00
VP527	7" Round	\$124.00							VP560	3-1/4" x 10"	\$89.00
VP528	8" Round	\$124.00									
LOW PROFILE ROOF JACK (MAXIMUM 4/12 PITCH)			LOW PROFILE ROOF JACK (MAXIMUM 4/12 PITCH)			LOW PROFILE ROOF JACK (MINIMUM 4/12 PITCH)			LOW PROFILE ROOF JACK (MINIMUM 4/12 PITCH)		
MODEL	DESCRIPTION	PRICE	MODEL	DESCRIPTION	PRICE	MODEL	DESCRIPTION	PRICE	MODEL	DESCRIPTION	PRICE
VP539	6" Round	\$124.00	VP552	10" Round	\$266.00	VP539-HP	6" Round	\$124.00	VP552-HP	10" Round	\$266.00
VP540	7" Round	\$124.00	VP553	12" Round	\$266.00	VP540-HP	7" Round	\$124.00	VP553-HP	12" Round	\$266.00
VP541	8" Round	\$124.00				VP541-HP	8" Round	\$124.00			
ADJUSTABLE ELBOW			BACK/SIDE VENT ELBOW			3 1/4" x 10" BACK VENT ELBOW			3 1/4" x 10" TO 7" TRANSITION		
MODEL	DESCRIPTION	PRICE	MODEL	DESCRIPTION	PRICE	MODEL	DESCRIPTION	PRICE	MODEL	DESCRIPTION	PRICE
VP513	6" Round	\$37.00	VP561	8" to 6" x 8-1/2"	\$50.00	VP559	3-1/4" x 10"	\$50.00	VP521	3-1/4" x 10 to 7"	\$50.00
VP514	7" Round	\$37.00									
VP515	8" Round	\$37.00									
MULTI-BLOWER TRANSITION			M1200 STANDARD TRANSITION			STANDARD ISLAND TRANSITION			CLUSTER BLOWER TRANSITION		
MODEL	DESCRIPTION	PRICE	MODEL	DESCRIPTION	PRICE	MODEL	DESCRIPTION	PRICE	MODEL	DESCRIPTION	PRICE
VP562	6" & 8" to 10"	\$266.00	VP566	M1200 Transition	\$97.00	VP565	5" x 16" to 8" Rnd	\$97.00	VP564	8" & 8" to 12"	\$97.00
VP563	8" & 8" to 12"	\$266.00									
OFFSET L & R TRANSITION FOR ISLAND BLOWERS			SIDE VENT TRANSITION L & R FOR ISLAND BLOWERS			OFFSET KIT - ROUND			OFFSET KIT - RECTANGULAR		
MODEL	DESCRIPTION	PRICE	MODEL	DESCRIPTION	PRICE	MODEL	DESCRIPTION	PRICE	MODEL	DESCRIPTION	PRICE
VP542	Top Left	\$97.00	VP544	Side Left	\$97.00	VP529	6" Rnd to 7" Rnd	\$50.00	VP550	6" to 3-1/4" x 10"	\$50.00
VP543	Top Right	\$97.00	VP545	Side Right	\$97.00						
"Y" TRANSITION			ROUND DUCT PIPE			3 1/4" RECTANGULAR DUCT PIPE			6" RECTANGULAR DUCT PIPE		
MODEL	DESCRIPTION	PRICE	MODEL	DESCRIPTION	PRICE	MODEL	DESCRIPTION	PRICE	MODEL	DESCRIPTION	PRICE
VP517	8" & 8" to 12"	\$111.00	VP500	6" Round	\$42.00	VP504	3-1/4" x 10"	\$42.00	VP507	6" x 8-1/2"	\$42.00
VP518	8" & 8" to 12"	\$111.00	VP501	7" Round	\$42.00	VP505	3-1/4" x 12"	\$42.00			
VP551	6" & 8" to 10"	\$111.00	VP502	8" Round	\$42.00	VP506	3-1/4" x 16"	\$42.00			

REPLACEMENT PARTS

PRICES DO NOT INCLUDE SHIPPING & HANDLING CHARGES.

<u>MOTORS</u>			<u>M LINE COMPONENTS</u>		
<u>PART NO.</u>	<u>DESCRIPTION</u>	<u>PRICE</u>	<u>PART NO.</u>	<u>DESCRIPTION</u>	<u>PRICE</u>
P1301-1	SINGLE SPEED WHITE MOTOR (CW)	\$185.00	P1440	M LINE BLOWER SWITCH	\$41.00
P1301-2	TWO SPEED WHITE MOTOR (CW)	\$185.00	P1445	M LINE BLOWER SWITCH KNOB	\$19.00
P1302-1	BLACK MOTOR (CCW)	\$185.00	P1450	M LINE LIGHT SWITCH	\$41.00
P1315	V-LINE MOTOR	\$274.00	P1455	M LINE LIGHT SWITCH KNOB	\$19.00
P1900	ADAPTER (AMP PLUG/TWO PRONG PLUG)	\$11.00	P1456	M600 WIRING HARNESS	\$124.00
			P1457	M1200 WIRING HARNESS	\$124.00
<u>BLOWER WHEELS</u>			<u>LIGHT BULBS</u>		
<u>PART NO.</u>	<u>DESCRIPTION</u>	<u>PRICE</u>	<u>PART NO.</u>	<u>DESCRIPTION</u>	<u>PRICE</u>
P1305	WHITE BLOWER WHEEL (CW)	\$50.00	P1110	GU10 HALOGEN BULB, 50 WATT	\$30.00
P1306	BLACK BLOWER WHEEL (CCW)	\$50.00	P1111	GU10 LED BULB	\$38.00
P1307	V-LINE BLOWER WHEEL	\$50.00	P1130	PAR20 HALOGEN BULB, 50 WATT	\$30.00
<u>BLOWER HOUSINGS</u>			P1350	INTEGRATED LED BULB (2700K)	\$115.00
<u>PART NO.</u>	<u>DESCRIPTION</u>	<u>PRICE</u>	P1355	INTEGRATED LED BULB (5000K)	\$115.00
<i>SPECIFY HOOD COLOR</i>			<u>LIGHT FIXTURE COMPONENTS</u>		
P1029	B100/T200 BLOWER HSG w/DAMPER	\$152.00	<u>PART NO.</u>	<u>DESCRIPTION</u>	<u>PRICE</u>
P1029E	B100/T200 EZ CLEAN HSG w/DAMPER	\$152.00	P1103	LEFT LAMPHOLDER	\$11.00
P1028	B200/T400 BLOWER HSG w/DAMPERS	\$293.00	P1104	RIGHT LAMPHOLDER	\$11.00
P1028E	B200/T400 EZ CLEAN HSG w/DAMPERS	\$293.00	P1105	FS-2 STARTER	\$6.00
P1030	T200 REVERSE BLOWER HSG w/DAMPER	\$152.00	P1106	STARTER SOCKET	\$14.00
P1030E	T200 REVERSE EZ CLEAN HSG w/DAMPER	\$152.00	P1123	PAR20 HALOGEN LAMP SOCKET	\$11.00
P1021	V-LINE BLOWER COVER (PAN)	\$69.00	P1124	GU10 LAMP SOCKET	\$18.00
<u>BLOWER SHIELDS</u>			P1127	FLUORESCENT LIGHT DIFFUSER	\$28.00
<u>PART NO.</u>	<u>DESCRIPTION</u>	<u>PRICE</u>	<u>REPLACEMENT FILTERS</u>		
P1025	B100/T200 SHIELD, PAINTED	\$53.00	<u>PART NO.</u>	<u>DESCRIPTION</u>	<u>PRICE</u>
P1025E	B100 EZ CLEAN SHIELD, PAINTED	\$53.00	P1506	SS BAFFLE (16" x 20" x 1-1/2")	\$414.00
P1025E-I	T200 EZ CLEAN SHIELD, PAINTED	\$53.00	P1506A	SS BAFFLE (10" x 20" x 1-1/2")	\$483.00
P1027	B100/T200 SHIELD, STAINLESS	\$53.00	P1529	M LINE BAFFLE FILTER - 15" x 12"	\$210.00
P1027E	B100 EZ CLEAN SHIELD, STAINLESS	\$53.00	P1530	M LINE BAFFLE FILTER - 12" x 12"	\$210.00
P1027E-I	T200 EZ CLEAN SHIELD, STAINLESS	\$53.00	P1531	M LINE FILTER FILLER PLATE - 6" x 12"	\$89.00
P1024	B200/T400 SHIELD, PAINTED	\$69.00	<u>BACK DRAFT DAMPERS</u>		
P1024E	B200 EZ CLEAN SHIELD, PAINTED	\$69.00	<u>PART NO.</u>	<u>DESCRIPTION</u>	<u>PRICE</u>
P1024E-I	T400 EZ CLEAN SHIELD, PAINTED	\$69.00	P1031	MAGIC LUNG NYLON POLYMER DAMPER	\$14.00
P1026	B200/T400 SHIELD, STAINLESS	\$69.00	P1040	B100/T200 METAL DAMPER	\$14.00
P1026E	B200 EZ CLEAN SHIELD, STAINLESS	\$69.00	P1041	B200 METAL DAMPER	\$14.00
P1026E-I	T400 EZ CLEAN SHIELD, STAINLESS	\$69.00	P1042	V-LINE DAMPER	\$19.00
P1610P	NICKEL SHIELD SCREW	\$11.00	<u>REMOTE BLOWER COMPONENTS</u>		
<u>SWITCHES AND CONTROLS</u>			<u>PART NO.</u>	<u>DESCRIPTION</u>	<u>PRICE</u>
<u>PART NO.</u>	<u>DESCRIPTION</u>	<u>PRICE</u>	P1425	REMOTE BLOWER SPEED CONTROL (HOOD)	\$160.00
P1431	SWITCH FOR SINGLE SPEED BLACK MOTOR	\$11.00	P1510	RM1000 BLOWER WHEEL	\$97.00
P1432	SWITCH FOR FLUORESCENT LIGHT	\$11.00	P1515	RM1000 MOTOR	\$566.00
P1433	SWITCH FOR TWO SPEED WHITE MOTOR	\$14.00	P1520	RM1500 BLOWER WHEEL	\$97.00
P1434	SWITCH FOR HALOGEN LIGHTS	\$14.00	P1525	RM1500 MOTOR	\$649.00
P1435	LED ROCKER SWITCH	\$14.00	<u>OTHER MISCELLANEOUS ITEMS</u>		
P1410	MOMENTARY SWITCH (TILT/TLH HOODS)	\$11.00	<u>PART NO.</u>	<u>DESCRIPTION</u>	<u>PRICE</u>
P1418	DIMMER SWITCH (CAN LIGHTS)	\$83.00	P1039	FLAP STAY FOR TILT/TLH HOODS	\$77.00
P1419	ROTARY SWITCH (HEAT LIGHTS)	\$28.00	AW101	T-HANDLE, 1/8" ALLEN WRENCH	\$28.00
P1422	KNOB FOR ROTARY SWITCH (SET SCREW)	\$11.00	AW102	STANDARD, 1/8" ALLEN WRENCH	\$3.00
P1425	REMOTE BLOWER SPEED CONTROL (HOOD)	\$160.00	P1424	SENSASOURCE THERMOSTAT ASSY	\$33.00
P1460	ROTARY SWITCH - B100/LED LIGHTS	\$14.00	SS KIT	STAINLESS STEEL SCRATCH REPAIR KIT	\$22.00
P1465	ROTARY SWITCH - B200/T200/T400(2)	\$14.00	SS64	NO LONGER AVAILABLE	N/A
P1470-1	MAGIC LUNG ROTARY BLOWER KNOB	\$19.00	CP101	NO LONGER AVAILABLE	N/A
P1475-1	MAGIC LUNG ROTARY LIGHT KNOB	\$19.00	P1316	3-1/4" x 10" COLLAR FOR V-LINE	\$28.00
P1350-1	DIMMER PACK FOR INTEGRATED LED BULB	\$27.00	P1317	BACK PLATE FOR V-LINE	\$14.00

Vent-A-Hood[®]

1000 N. Greenville Ave.
Richardson, Texas 75081-2799

TELEPHONE: 972.235.5201
TOLL-FREE: 800.331.2492
FAX: 972.231.0663